

3D View

NOTES:

1:MATERIAL

1-1: SUS-304 THICKNE=0.10MM

2:SPECIFICATIONS

2-1: RATED CURRENT: 1.0A

2-2: VOLTAGE RATING: 1.5V

2-3: CONTACT RESISTANCE: 80mΩ/MAX

2-4: WELDING THRUST: ≥3KG

2-5: OPERATING TEMPERATURE: -40°C~+85°C

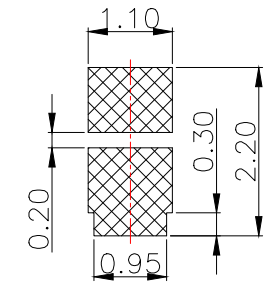
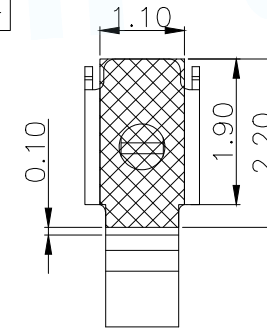
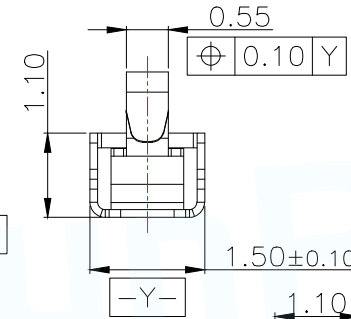
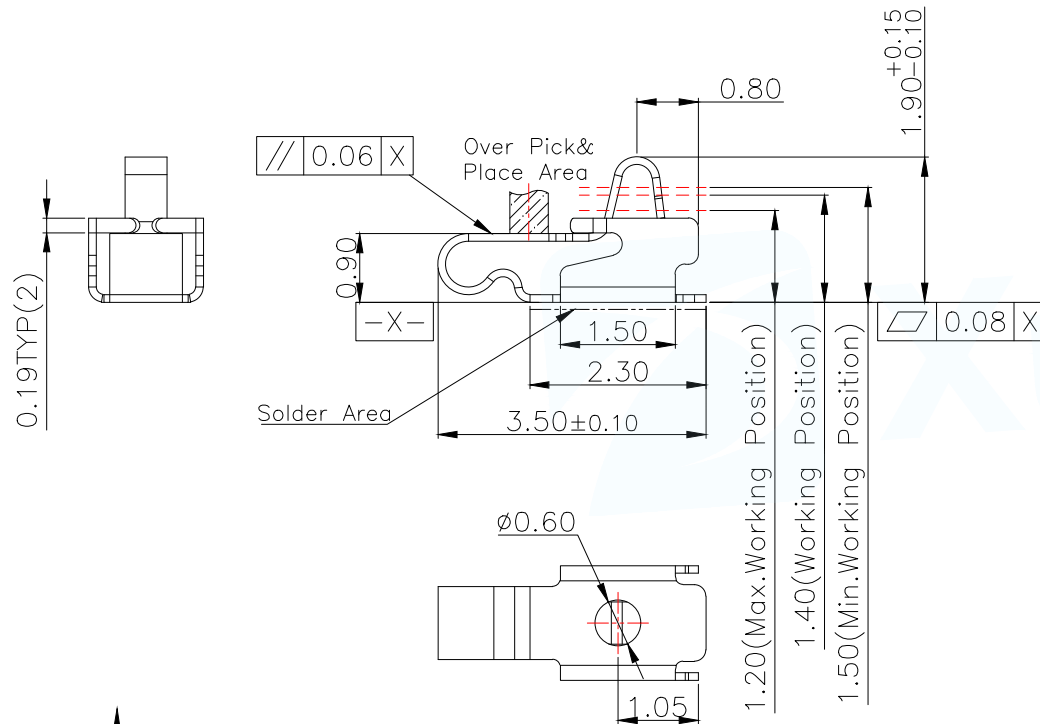
3:DURABILITY: 1500 CYCLES

4:SALT SPRAY TIME: 24H

5:ELECTROPLATE: THE NICKEL-PLATED SUBSTRATE IS 50u" MIN

6:REQUIREMENTS

6-1:TERMINAL TO EAT FULL TIN,NOTPEELING, WELDING OBVIOUS COLOR AND OTHER ADVERSE
6-2:ROHS, REACH, HF HALOGER ADVERSE OF DOMESTIC AND INTERNATIONAL ENVIRONMENTAL REQUIREMENTS



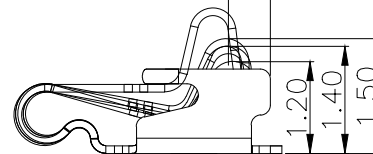
RECOMMENDED PCB LAYOUT

TOLERANCE: ±0.05MM
(FOR REFERENCE ONLY)

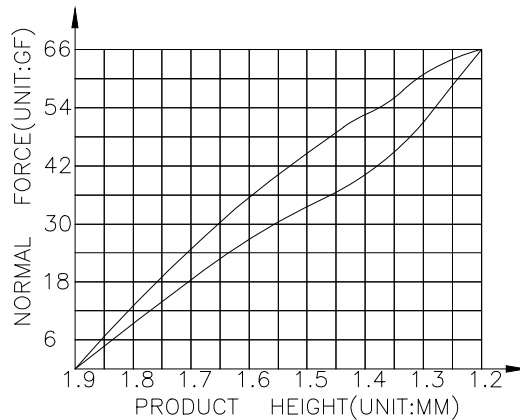
METAL MASK T=0.08

TOLERANCE: ±0.05MM
(FOR REFERENCE ONLY)

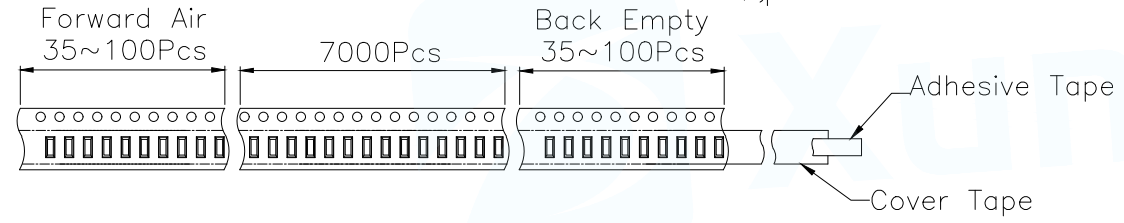
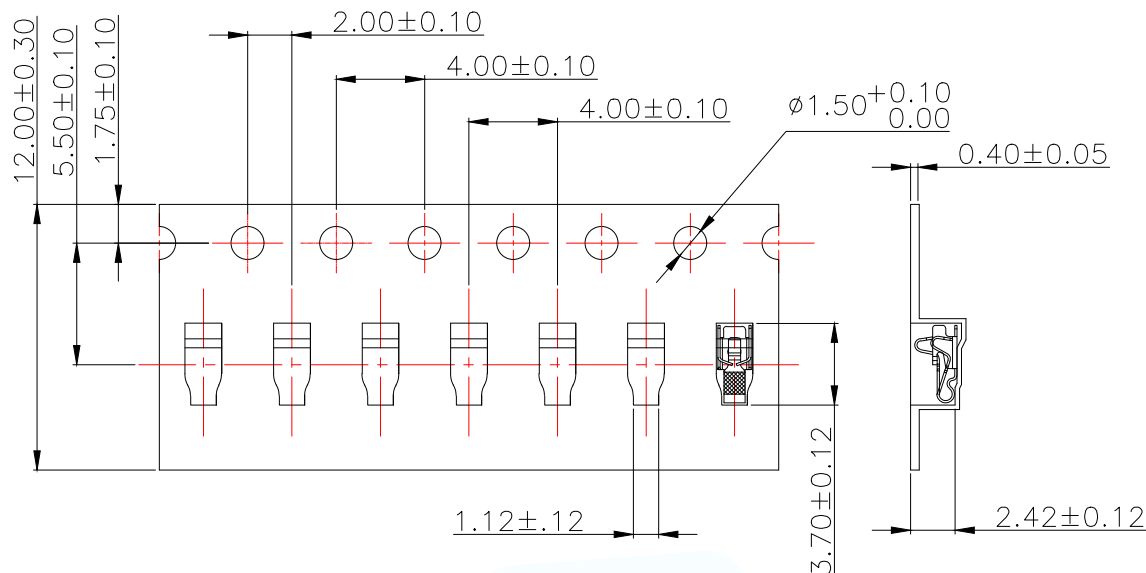
0.55 (Working Position)



(For Reference Only)
Stated At Compression

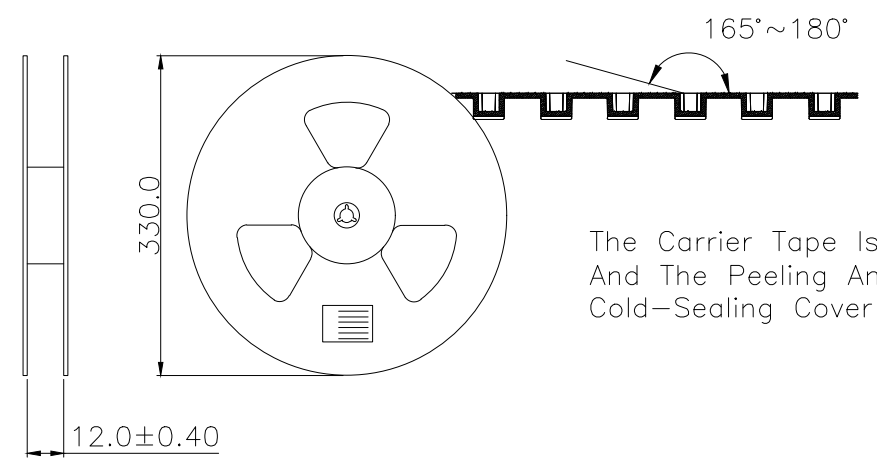


MANUFACTURE DWG		东莞市讯普电子科技有限公司 DongGuan XunPu Electronics Co.,Ltd	
UNLESS OTHERWISE SPECIFIED TOLERANCES			TITLE: 天线弹片 L3.50*W1.50*H1.90
			PAR: ASP-D1901-B01
DECIMALS:	ANGLES:	DWN	
X. ±0.30	X. ° ±0.20	CHKD	
.X ±0.20	.X ° ±0.10	APVD	
.XX ±0.15	.XX ° ±0.5	SCALE N:A	UNIT:MM
		SIZE:A4	SHEET:1F1
		REV:A	

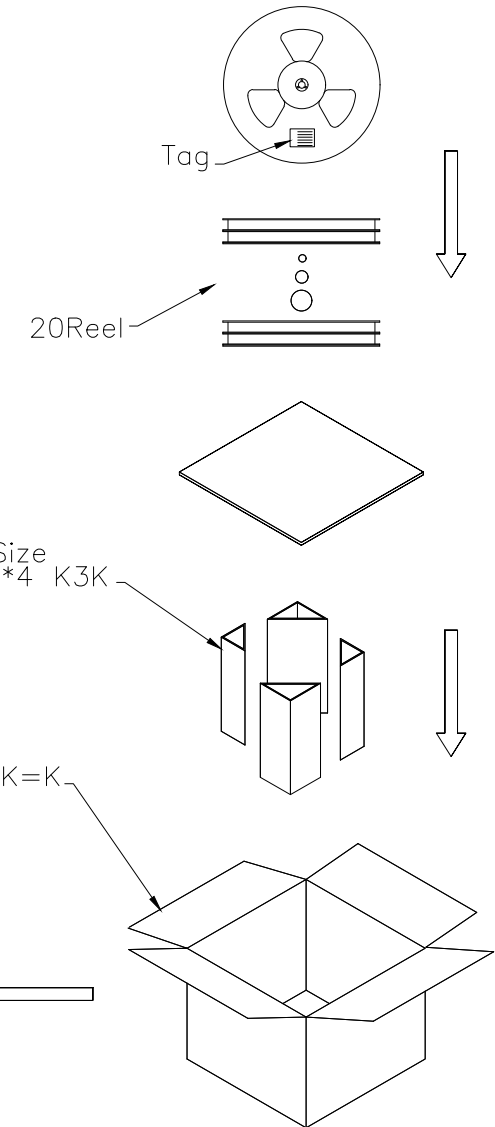


Customer To Use Direction

Pull Out Direction (出料方向)



The Carrier Tape Is Cold-Sealed
And The Peeling Angle Of The
Cold-Sealing Cover Tape Is $165^\circ \sim 180^\circ$.



MANUFACTURE DWG		东莞市讯普电子科技有限公司 DongGuan XunPu Electronics Co.,Ltd	
UNLESS OTHERWISE SPECIFIED TOLERANCES		TITLE: 天线弹片 L3.50*W1.50*H1.90	
		PAR	ASP-D1901-B01
DECIMALS:		DWN	
ANGLES:		CHKD	
X. ± 0.30	X. $^\circ \pm 0.20$	APVD	
.X ± 0.20	.X $^\circ \pm 0.10$	SCALE N:A	UNIT:MM
.XX ± 0.15	.XX $^\circ \pm 0.5$	SIZE:A4	UNIT:MM
CUSTOMER COPY		SHEET:1F1	REV:A