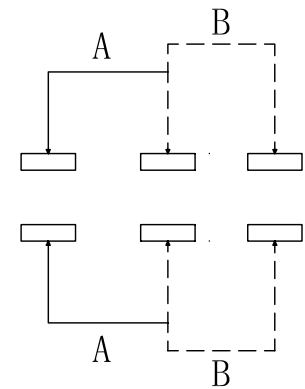


MSS22D28GX - X

Color : B:Black: W:White

H(mm) : 15:1.5,20: 2.0,30: 3.0,40: 4.0



额定电负荷: DC12V 0.1A
 绝缘电阻: > 100M
 对压强度: AG250V(50Hz) 1min
 环境温度: -25' A +70C
 相对湿度: (40) < 95%
 接触电阻: < 50M
 动作力: 170gf+20gf
 耐高温: 260°

		new		2015/5/3	A	瀚源
ECN BO.		DESCRIPTION.		DATE.	REV.	
DESIGNED	CHECKED	APPROVAL	DRAWING NUMBER	SCALT: 1/2		SCALE: 3:1
Mikey	Tom	Jerry	PART NAME	MSS22D28GX-X	UNLESS OTHERWISE SPECIFIED,TOLERANCE:	X. ±0.25
			MODEL NAME	MSS22D28GX-X		X.x ±0.20
			3RD ANGLE PROJ	HanElectricity Co.,LTD		X.xx ±0.15
FILE.NO.						