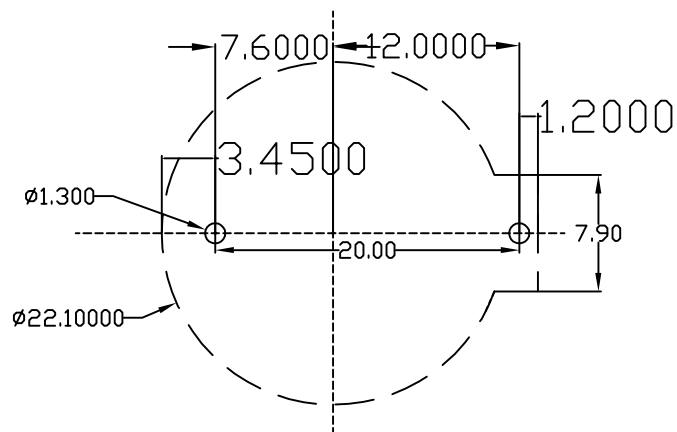
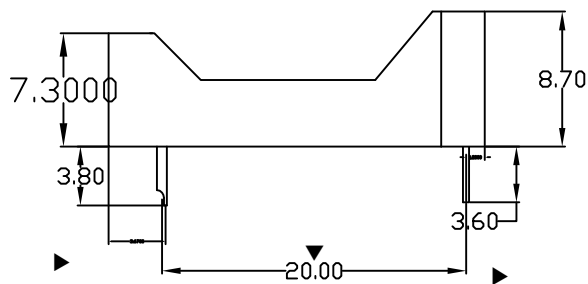
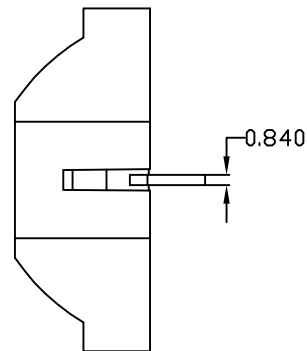
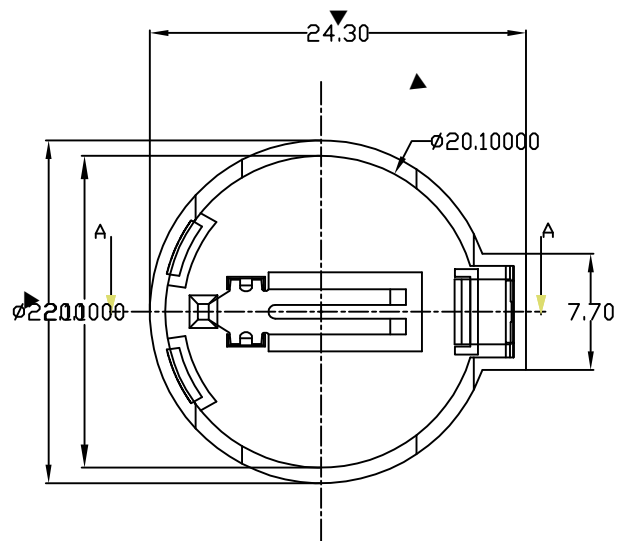
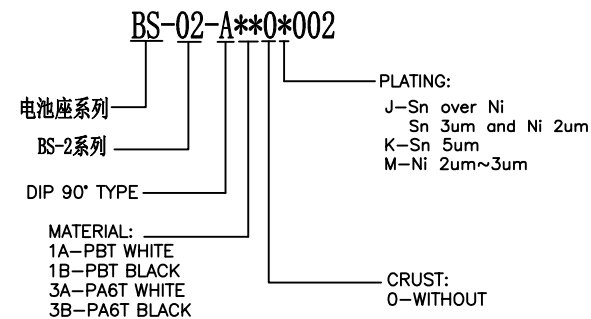


REV.	MATTER	APP.	DATE
A			

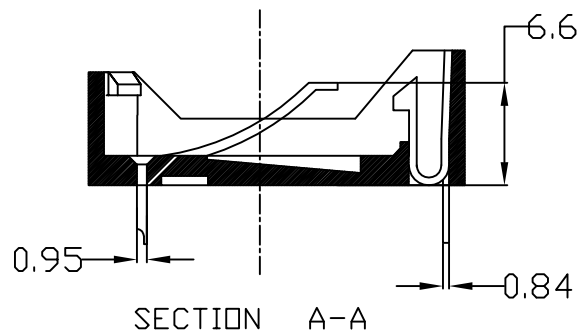


PCB HOLE LAYOUT

ORDERING INFORMATION



注: ▼为重点管控尺寸



深圳市琦捷电子有限公司

TOLERANCE		DRAWN 杨锋		TITLE: 两PIN电池座卧式 (BS-2)	
LINEAR	ANGLE			UNIT: MM	PART NO. BS-02-A1B0J002
x. ±1	x.' ±5°	APPROVED	SCALE: 1/1	DWG. NO. QJ-BS-2-1	SHEET. 1 OF 1
.x ±0.38	.x' ±2°	DATE 2007.07.06	SIZE: A4		
.xx ±0.25	.x' ±1°				
.xxx ±0.10					