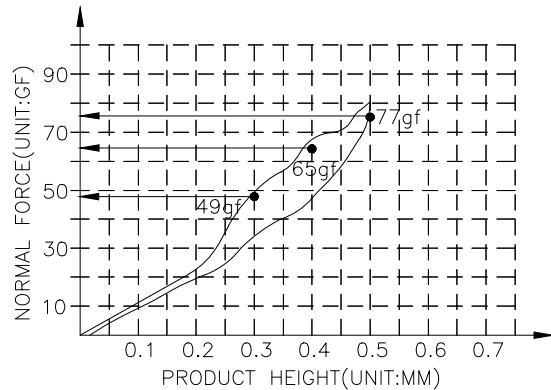
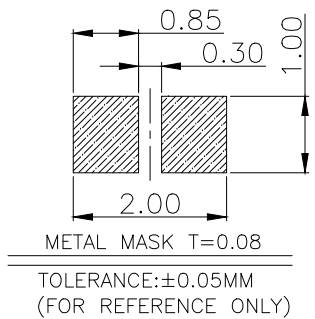
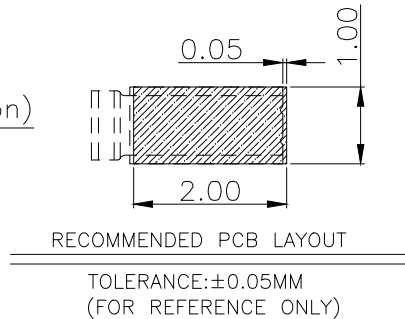
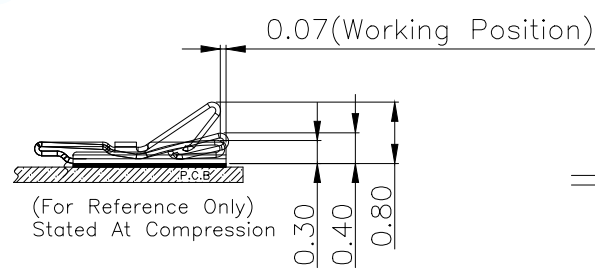
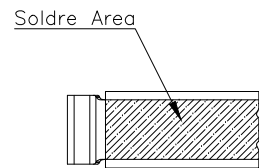
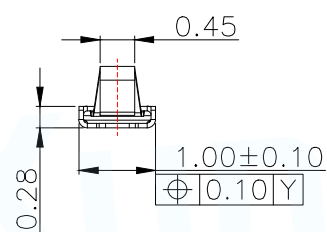
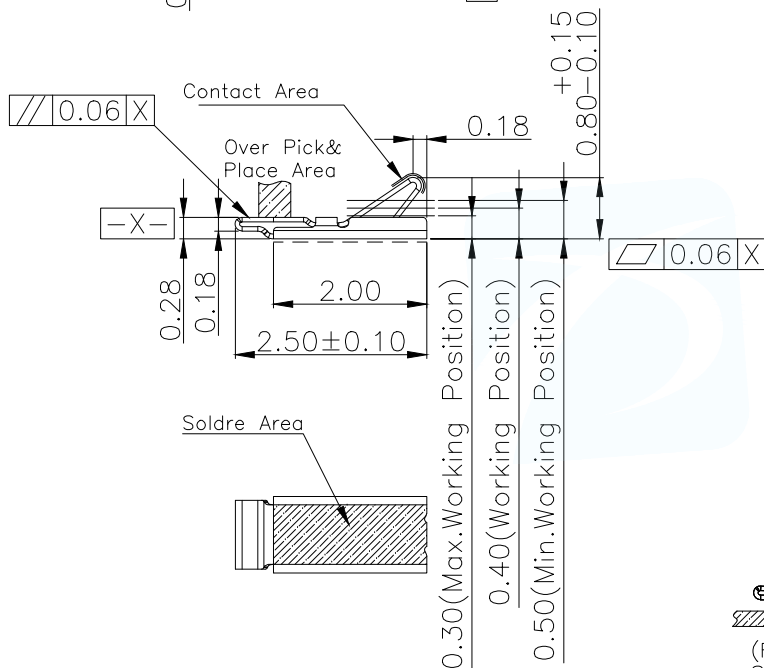


3D View

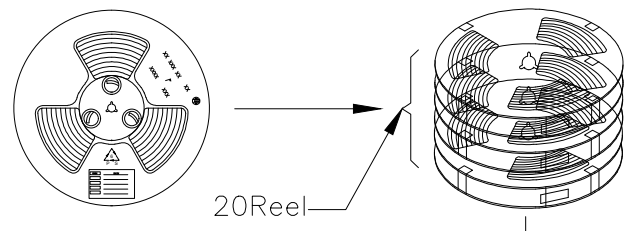
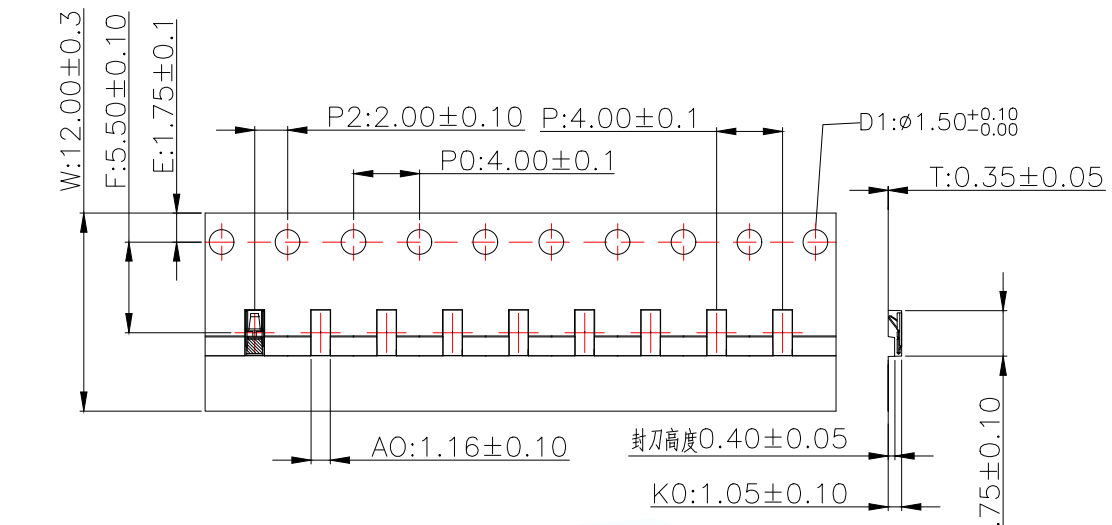
NOTES:

- 1:MATERIAL
1-1: SUS-301 THICKNE=0.06MM
- 2:SPECIFICATIONS
2-1: RATED CURRENT: 1.0A
2-2: VOLTAGE RATING: 1.5V
2-3: CONTACT RESISTANCE: 80MΩ/MAX
2-4: WELDING THRUST: ≥3KG
2-5: OPERATING TEMPERATURE: -40°C~+85°C
- 3:DURABILITY: 1500 CYCLES
- 4:SALT SPRAY TIME: 24H
- 5:ELECTROPLATE: THE NICKEL-PLATED SUBSTRATE IS 50u" MIN
- 6:REQUIREMENTS
6-1:TERMINAL TO EAT FULL TIN,NOTPEELING, WELDING OBVIOUS COLOR AND OTHER ADVERSE
6-2:ROHS、REACH、HF HALOGER ADVERSE OF DOMESTIC AND INTERNATIONAL ENVIRONMNTAL REQUIREMENTS

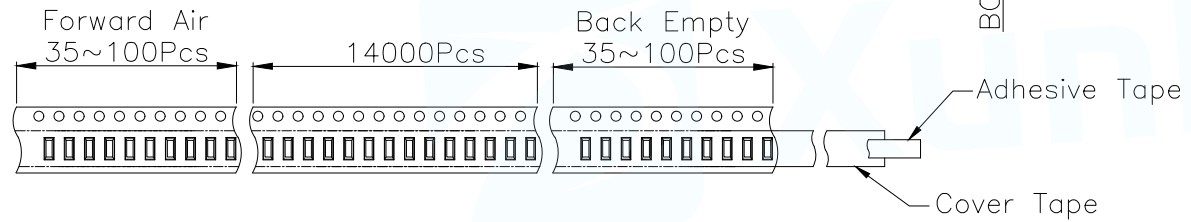


| | | | |
|---------------------------------------|------------|---|---------------|
| MANUFACTURE DWG | | 东莞市讯普电子科技有限公司 DongGuan XunPu Electronics Co.,Ltd | |
| UNLESS OTHERWISE SPECIFIED TOLERANCES | | TITLE: 天线弹片L2.50*W1.00*H0.80 | |
| | | PAR | ASP-D0801-B01 |
| DECIMALS: | ANGLES: | DWN | |
| X. ±0.30 | X. ° ±0.20 | CHKD | |
| .X ±0.20 | .X ° ±0.10 | APVD | |
| .XX ±0.15 | .XX ° ±0.5 | SCALE N:A | UNIT:MM |
| | | SIZE:A4 | SHEET:1F1 |
| | | CUSTOMER COPY | REV:A |

| | | | |
|------|--------------|------|---------|
| 12 | 13 | 14 | 15 |
| MAPX | MODIFICATION | DATE | APPROVE |

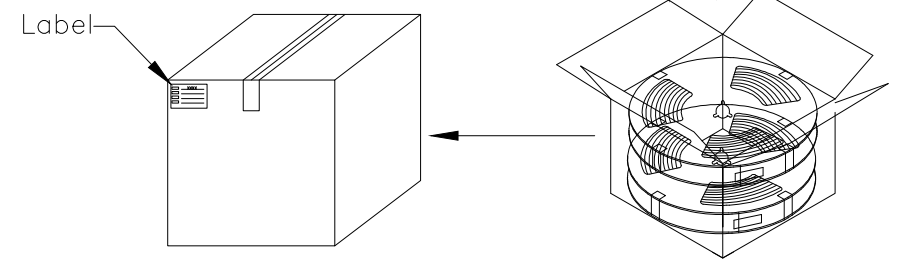
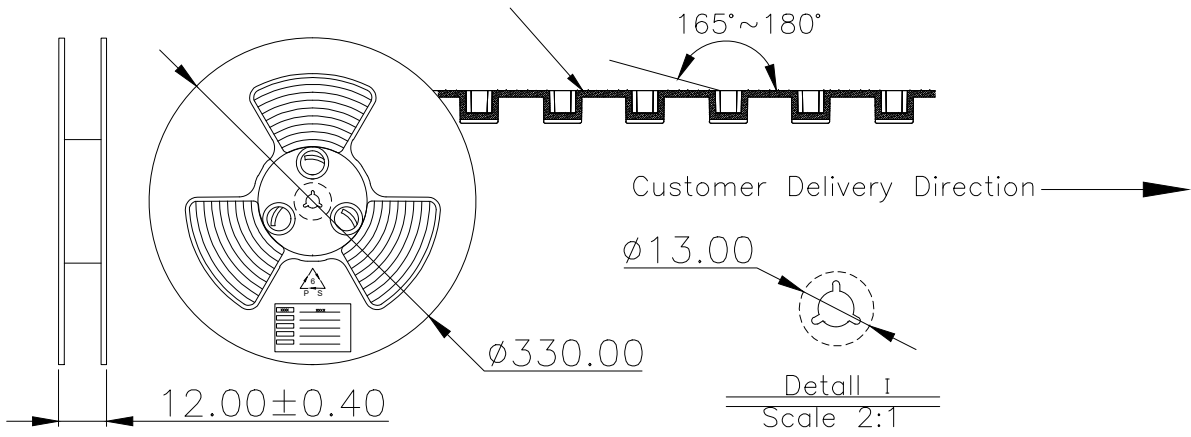


Carton Size
290*330*4 K3K



Carton Size
345*345*360 K=K

The Carrier Tape Is Heat-Sealed
Packaging The Peeling Angle Of The
Heat-Sealing Cover Tape Is 165°~180°
And The Peeling Force Is 30~120g.



| | | | |
|---------------------------------------|------------|---|---------------------------------|
| MANUFACTURE DWG | | 东莞市讯普电子科技有限公司 DongGuan XunPu Electronics Co.,Ltd | |
| UNLESS OTHERWISE SPECIFIED TOLERANCES | | | TITLE: 天线弹片L2.50*W1.00*H0.80 |
| DECIMALS: | ANGLES: | | PAR ASP-D0801-B01 |
| X. ±0.30 | X. ° ±0.20 | CHKD | |
| .X ±0.20 | .X ° ±0.10 | APVD | |
| .XX ±0.15 | .XX ° ±0.5 | SCALE N:A | UNIT:MM |
| | | SIZE:A4 | SHEET:1F1 |
| CUSTOMER COPY | | | REV:A |