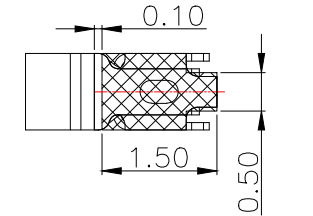
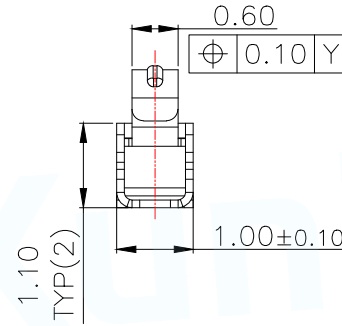
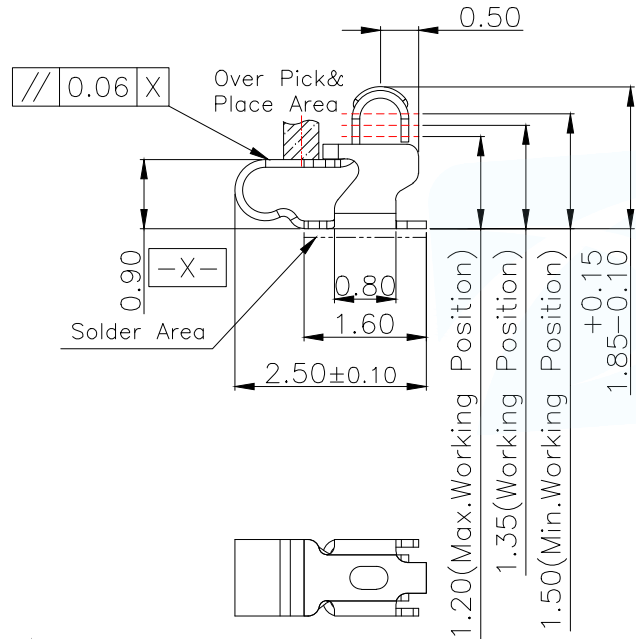


3D View

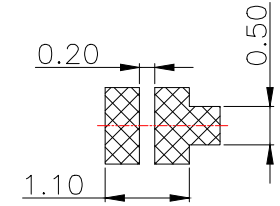
NOTES:

- 1: MATERIAL
 - 1-1: SUS-304 THICKNE=0.10MM
- 2: SPECIFICATIONS
 - 2-1: RATED CURRENT: 1.0A
 - 2-2: VOLTAGE RATING: 1.5V
 - 2-3: CONTACT RESISTANCE: 80mΩ/MAX
 - 2-4: WELDING THRUST: ≥3KG
 - 2-5: OPERATING TEMPERATURE: -40°C~+85°C
- 3: DURABILITY: 1500 CYCLES
- 4: SALT SPRAY TIME: 24H
- 5: ELECTROPLATE: THE NICKEL-PLATED SUBSTRATE IS 50u" MIN
- 6: REQUIREMENTS
 - 6-1: TERMINAL TO EAT FULL TIN, NOT PEELING, WELDING OBVIOUS COLOR AND OTHER ADVERSE
 - 6-2: ROHS, REACH, HF HALOGER ADVERSE OF DOMESTIC AND INTERNATIONAL ENVIRONMENTAL REQUIREMENTS



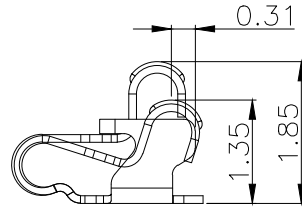
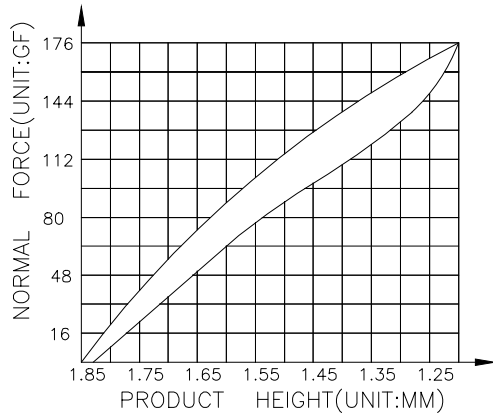
RECOMMENDED PCB LAYOUT

TOLERANCE: ±0.05MM
(FOR REFERENCE ONLY)



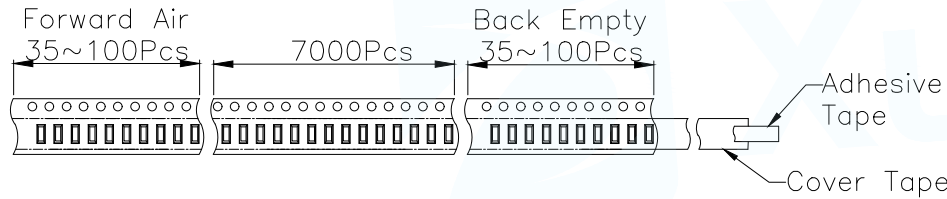
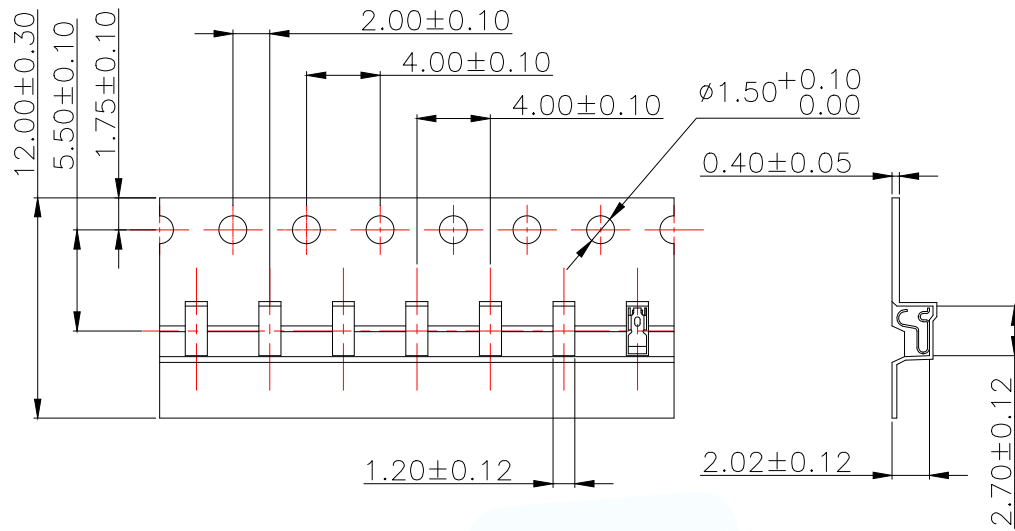
METAL MASK T=0.08

TOLERANCE: ±0.05MM
(FOR REFERENCE ONLY)



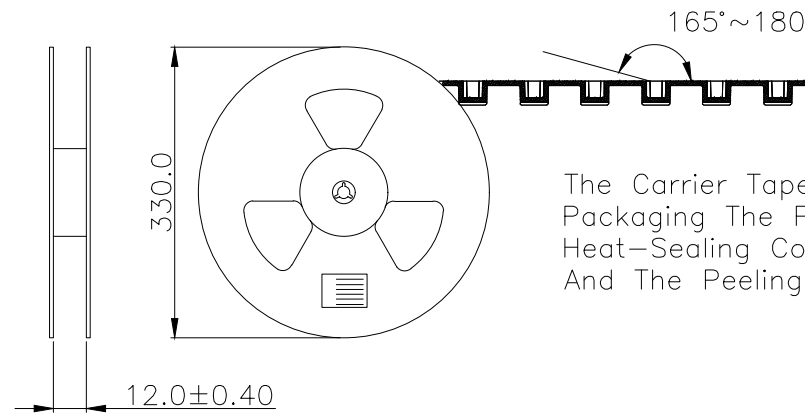
(For Reference Only)
Stated At Compression

MANUFACTURE DWG		东莞市讯普电子科技有限公司 DongGuan XunPu Electronics Co., Ltd	
UNLESS OTHERWISE SPECIFIED TOLERANCES			TITLE: 天线弹片 L2.50*W1.00*H1.85
			PAR ASP-D1802-A01
DECIMALS:	ANGLES:		DWN
X. ±0.30	X. ° ±0.20		CHKD
.X ±0.20	.X ° ±0.10	APVD	SCALE N:A
.XX ±0.15	.XX ° ±0.5	CUSTOMER COPY	UNIT:MM
		SIZE:A4	UNIT:MM
		SHEET:1F1	REV:A

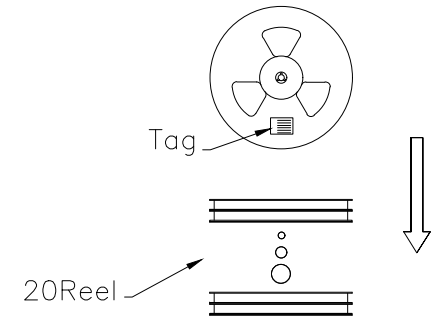


Customer To Use Direction

Pull Out Direction
(出料方向)

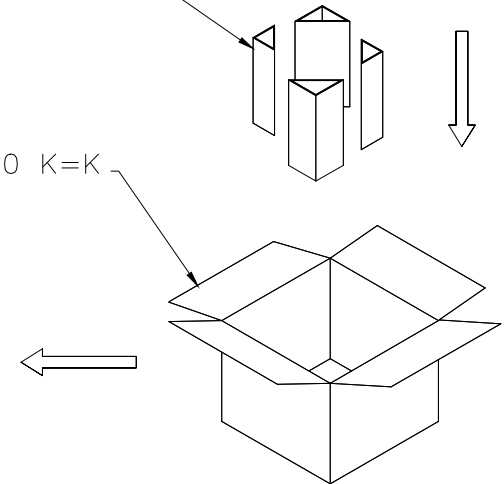
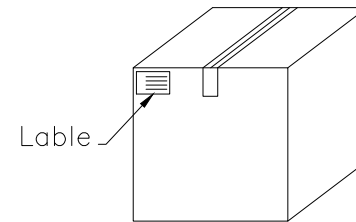


The Carrier Tape Is Heat-Sealed Packaging The Peeling Angle Of The Heat-Sealing Cover Tape Is 165°~180° And The Peeling Force Is 30~120g.



Carton Size
290*330*4 K3K

Carton Size
345*345*360 K=K



MANUFACTURE DWG		东莞市讯普电子科技有限公司 DongGuan XunPu Electronics Co.,Ltd	
UNLESS OTHERWISE SPECIFIED TOLERANCES			TITLE: 天线弹片 L2.50*W1.00*H1.85
			PAR ASP-D1802-A01
DECIMALS:	ANGLES:		DWN
X. ±0.30 X. ° ±0.20	.X ±0.20 .X ° ±0.10		CHKD
.XX ±0.15 .XX ° ±0.5		APVD	
		SCALE N:A	UNIT:MM
		SIZE:A4	SHEET:1F1
			REV:A

CUSTOMER COPY