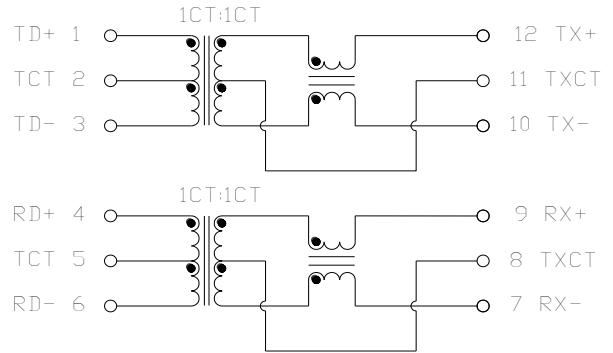
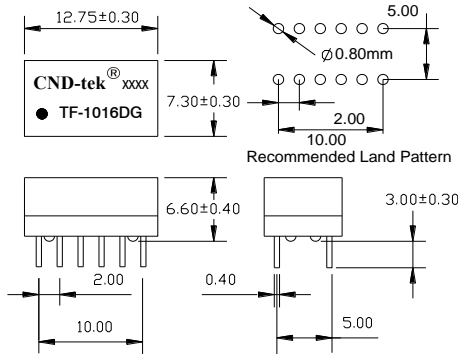


- Compatible with various 10/100 Base-TX transceiver requiring 1:1 transmit and receive turns ratio
- Compliant with IEEE 802.3 standard including baseline wander compensation specification of 350 $\mu$ H OCL when Biased at 8mA from 0 $^{\circ}$ C to 70 $^{\circ}$ C
- Single channel interface for 10/100Mbps Ethernet applications with CMC's tuned to Enhance EMC system performance
- Available in Through Hole package.
- Operating Temperature range: 0 $^{\circ}$ C TO +70 $^{\circ}$ C
- Storage temperature range: -25 $^{\circ}$ C TO +125 $^{\circ}$ C



## DIMENSIONS & SCHEMATICS

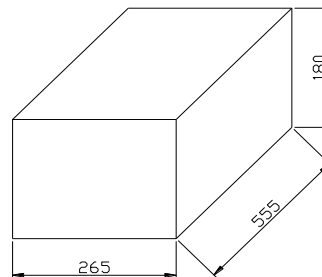
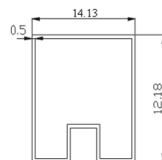
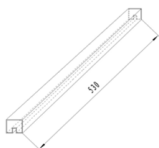


**Note:** 1. Dimension: mm, 2. Unless otherwise specified, tolerances are:  $\pm 0.05$ mm

## TECHNICAL SPECIFICATIONS

OCL :	350 $\mu$ H Min. @ 100 KHz, 100mV with 8mA DC Bias 0.5
Leakage Inductance:	$\mu$ H Max. @ 100KHz, 0.2V
Cw/w:	28 pF Max. @ 100KHz, 0.2V
DCR:	1.20 $\Omega$ Max.
Turns Ratio( $\pm 5\%$ ):	1CT:1(TX), 1CT:1(RX)
Polarity:	1-12, 4-9 In-Phase
Insertion Loss:	-1.1 dB Max. (TX & RX)@ 1-100 MHz
Return Loss:	-18 dB Min @ 0.5-30MHz
	-15 dB Min @ 40 MHz
	-13 dB Min @ 60 MHz
	-11 dB Min @ 80 MHz
	-10 dB Min.@ 100 MHz
Cross Talk:	-45 dB Min.@ 30 MHz
	-40 dB Min.@ 60 MHz
	-35 dB Min.@ 100 MHz
Common Mode Rejection :	-43 dB Min.@ 1-30 MHz
	-37 dB Min.@ 60 MHz
	-33 dB Min.@ 80-100 MHz
Isolation HI-POT:	1500Vrms 1mA 1Second

## PACKING SPECIFICATION



- units/reel:40PCS
- reel/carton:280PCS
- units/carton :11200PCS