

SMD transformer for vehicle and BMS transformer



FEATURES

- Qualification: PER AEC-Q200
- Design Construction: Basic Insulation PER ISO6469/IEC60664
- Operating Temperature Range: -40~+125°C
- Storage Temperature Range: -50~+125°C
- Creepage Distance: >11mm
- Hi-Pot: 4300 VDC 1 mA, 60 sec

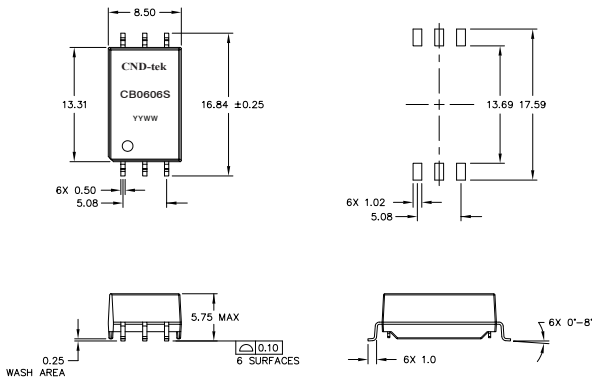
Series/Type: **CB0606S**

ELECTRICAL SPECIFICATIONS @25°C

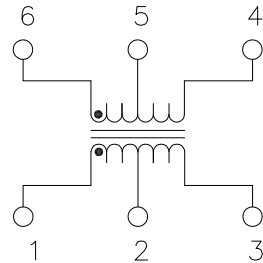
OCL		DCR (Ω)	Turns Ratio	Insertion Loss (4MHz)	Return Loss (Z out = 100 ohms) (4MHz)	Leakage Induction @100kHz	Working Voltage
-40°C ≤ T ≤ -30°C	-30°C ≤ T ≤ +125°C						
135uH(min) 370uH(max)	150uH(min) 370uH(max)	0.45Ω max	1CT :1CT±2%	-0.25dB Max	-20dB Min	0.50uH MAX	1000 Vdc

*Testing Conditions: 100KHz 0.1V

DIMENSIONS & MARKING



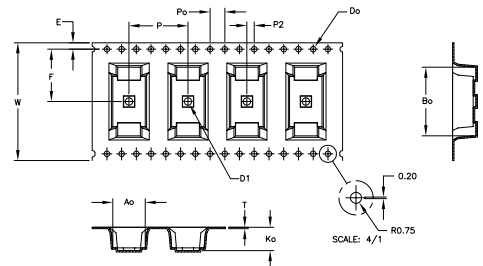
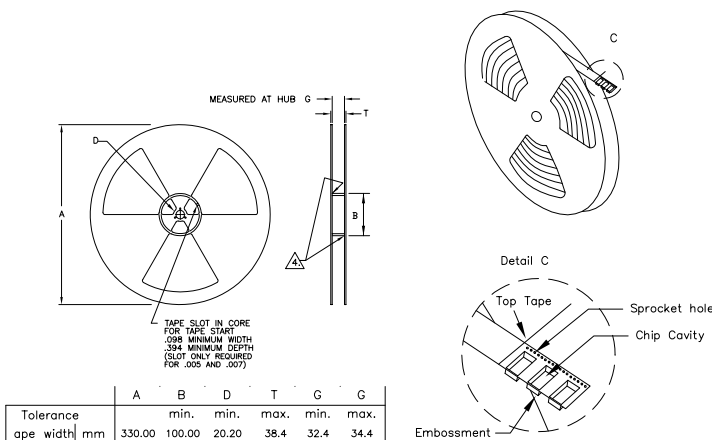
SCHEMATICS



SCHEMATIC

DIMENSIONS ARE IN MILLIMETERS WITH THE FOLLOWING TOLERANCES:
X.X = ±0.25
X.XX = ±0.13

Packaging Specifications



ITEM	W	Ao	Bo	Ko	K1	P	F	E	D0	D1	P0	P2	T
DIM	32.00	8.8	18.6	6.35	16.00	14.2	1.75	1.50	2.0	4.00	2.00	0.40	
	±0.30	±0.10	±0.10	±0.10	±0.10	±0.10	±0.10	±0.10	±0.10	±0.10	±0.10	±0.05	

