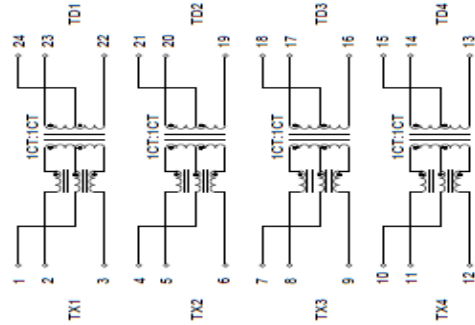
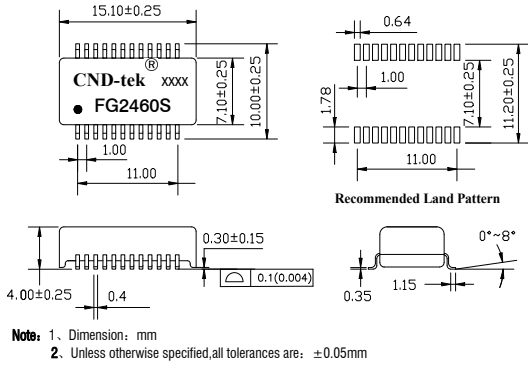


1. Designed for long haul 5G Single Port Transformer Module
2. Supports four pairs of category 5 UTP cable, Cable interface for isolation and low common mode emissions.
3. Low profile Surface Mount Packaging designed for Hi-Temp Reflow Process
4. Compliant with IEEE 802.3bz standard for 5G Base-Z, Designed to support 1:1 Turns Ratio Transceivers.



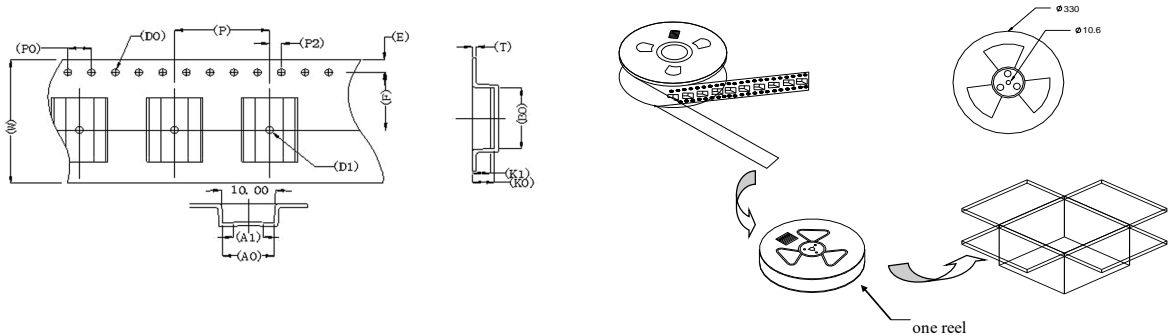
DIMENSIONS & SCHEMATICS



TECHNICAL SPECIFICATIONS

OCL :	150 μ H Min. @ 100 KHz, 100mV with 8mA DC Bias
Leakage Inductance:	0.35 μ H Max. @ 100KHz, 0.1V
Cw/w:	35 pF Max. @ 100KHz, 0.1V
DCR:	1.00 Ω Max
Turns Ratio(\pm 5%):	1CT:1(TX), 1CT:1(RX)
Polarity:	1-24, 4-21, 7-18, 10-15 In-Phase
Insertion Loss:	-1.0 dB Max. @ 1-100MHz -1.5 dB Max. @ 100-150MHz -2.0 dB Max. @ 150-250MHz
Return Loss:	-15 dB Min. @ 1-100MHz -11 dB Min. @ 100-200 MHz -10 dB Min. @ 200-250 MHz
Cross Talk:	-30dB Min.@ 1-250 MHz
Common Mode Rejection :	-30 dB Min.@ 1-250 MHz
Isolation HI-POT:	1500Vrms 1mA 60Second or 1650VAC 1mA 6S
Operating Temperature range:	-40°C ~ +85°C
Storage temperature range:	-40°C ~ +125°C

PACKING SPECIFICATION



1. units/reel:850PCS
- 2 reel/carton:5PCS
- 3.units/carton :4250PCS