

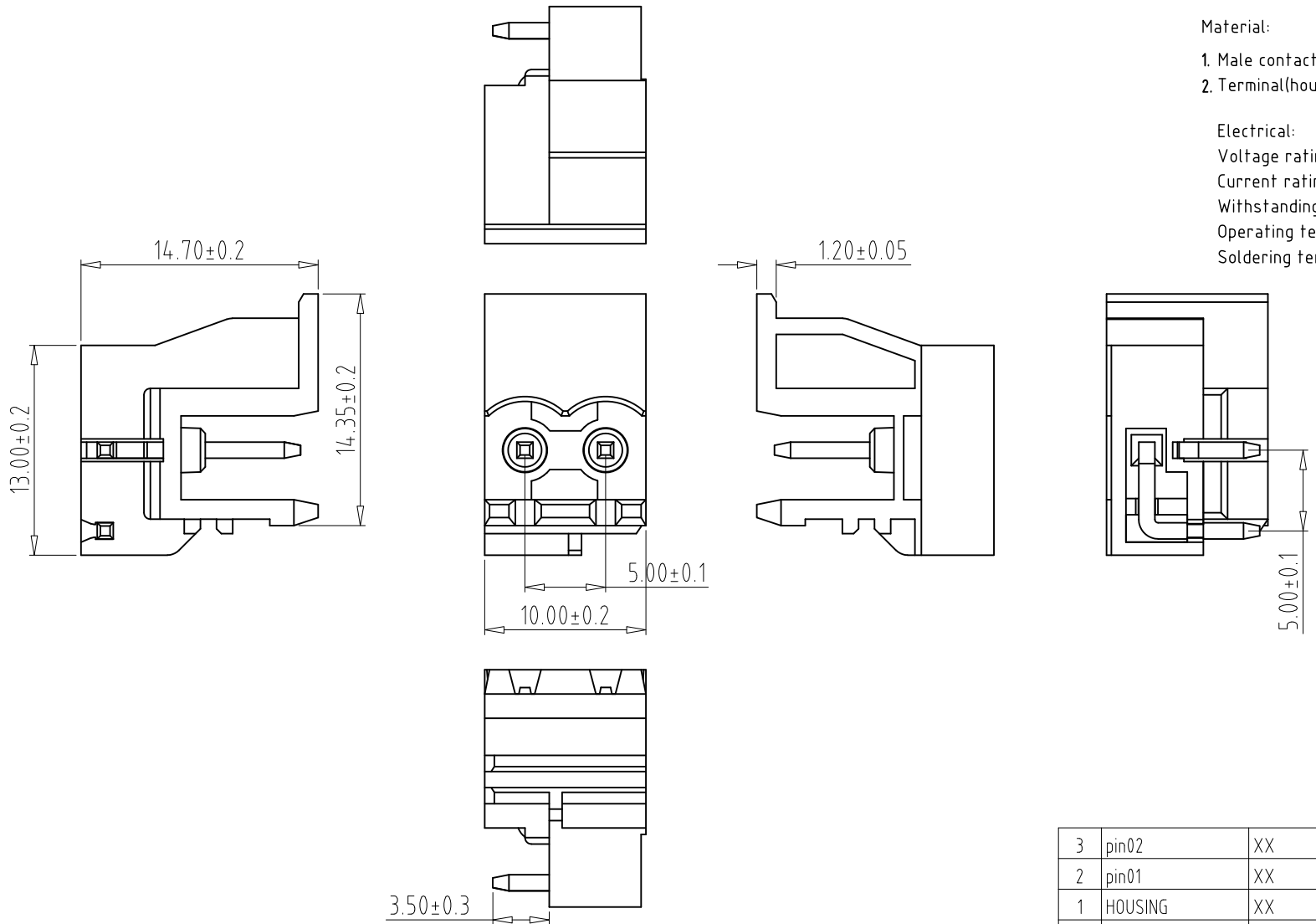
REV	CONTENT	CHK	DATE
V0.0	CONTENT	CXL	20.05.11

Material:

- 1. Male contact pin: Brass Tin plated
- 2. Terminal(housing): Thermoplastic (UL94V-0)

Electrical:

- Voltage rating: 300V
- Current rating: 20A
- Withstanding Voltage: 1.6 KV
- Operating temperature: -40°C to +115°C
- Soldering temperature: 250°C±10°C/5



3	pin02	XX	1	BRASS	Tin Plated
2	pin01	XX	1	BRASS	Tin Plated
1	HOUSING	XX	1	PA66 UL94V-0	SEE NOTE
ITEM	NAME OF PART	NO. OF PART	Q'TY	MATERIAL	NOTE
DWG.	CXL	DATE	20.05.11	SIZE	A4 UNITS mm SHEET/OF 1/1
CHK.	DATE			SCALE	1:1
APP.	DATE			NAME	2ETYRF-5.0-02P-XX-00
				DWGNO.	XXXX

Total Pitch Tolerances in mm										Nominal dimension range in mm										⊥	≡	-	//				
over 0	over 30	over 53	over 70	over 90	over 115	over 150	over 250	over 350	over 500	over 0	over 30	over 53	over 70	over 90	over 115	over 150	over 200	over 250	over 320	over 0	over 100	over 150	all	0	100	150	
±0.18	±0.20	±0.25	±0.3	±0.35	±0.4	±0.60	±0.70	±0.85	±0.20	±0.25	±0.30	±0.35	±0.4	±0.55	±0.70	±0.80	±0.90	0.2	0.3	0.3	0.2	0.3	0.5				

