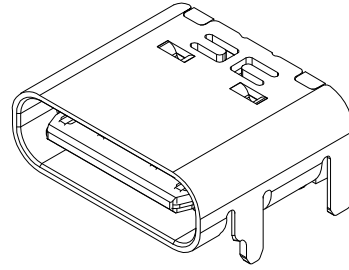
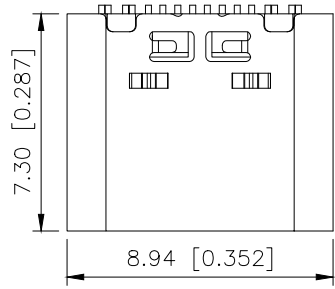
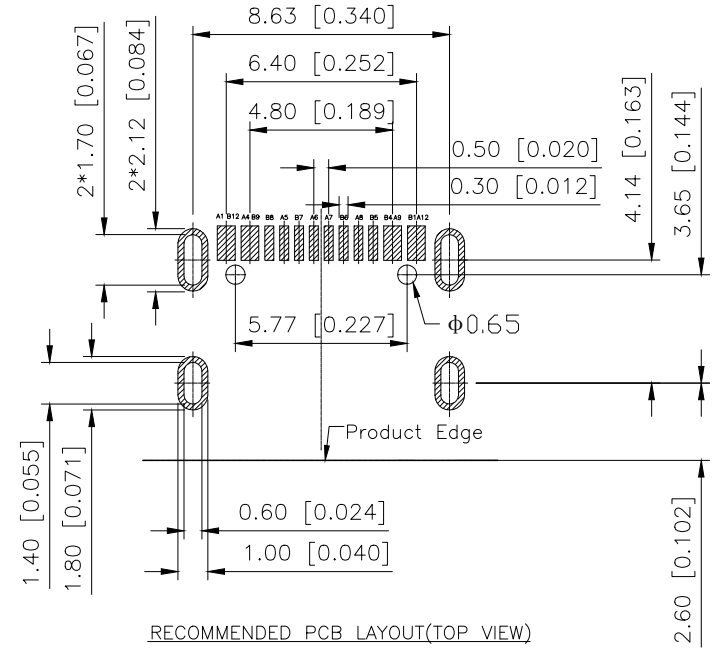
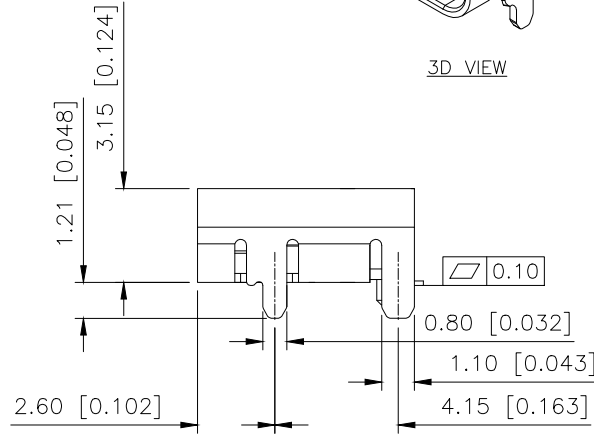
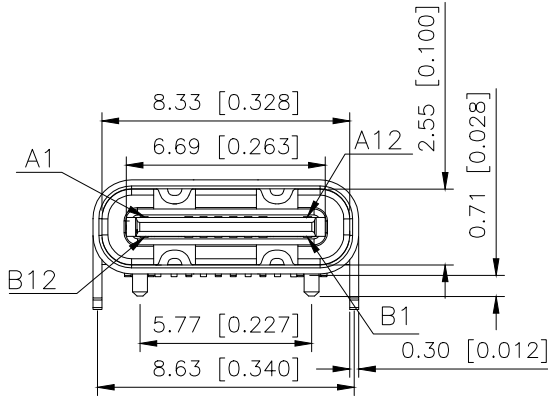


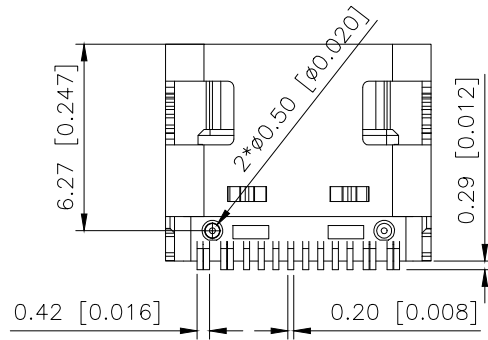
REV.		ECN NO.	LOCATION	DESCRIPTION	DATE	DESIGN
A0		N/A		INITIAL RELEASE	2024.05.31	



3D VIEW



RECOMMENDED PCB LAYOUT(TOP VIEW)
DEFAULT TOLERANCE:±0.05



U262-16XN-4BVC11

1:Au 1u"
2:Au 3u"
5:Au 15u"
6:Au 30u"

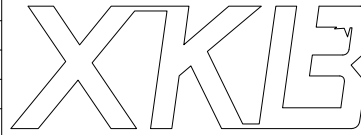
规格 Specifications:
额定电压 Voltage rating:20VAC/DC
额定电流 Current rating:
VBUS/GND PIN:3A; CC PIN:1.25A; OTHER PIN:0.25A.
绝缘电阻 Insulation resistance:≥100MΩ Min
接触电阻 Contact resistance:≤40mΩ Max
耐电压 Withstanding voltage:100V AC/minute
寿命 DURABILITY: 10000 CYCLES MIN
拔出力 CONNECTOR MATING FORCES: 0.5~2.0Kgf
插入力 CONNECTOR UNMATING FORCES: 0.6~2.0Kgf
温度区间 Temperature range:-55℃to+105℃

USB TYPE-C PIN ASSIGNMENTS

PIN NUMBER	SIGNAL NAME	PIN NUMBER	SIGNAL NAME
A1	GND	B12	GND
A4	Vbus	B9	Vbus
A5	CC1	B8	SBU2
A6	Dp1	B7	Dn2
A7	Dn1	B6	Dp2
A8	SBU1	B5	CC2
A9	Vbus	B4	Vbus
A12	GND	B1	GND

DESCRIPTION	MATERIAL	REMARKS
MID PLATE	STAINLESS STEEL	CLEAR ONLY
TERMINAL	COPPER ALLOY	CONTACT:Au PLATED; SOLDER AREA:Tin 80u" MIN PLATED Ni 50u" MIN
SHELL	STAINLESS STEEL	Ni 50" MIN OVER ALL
HOUSING	LCP,UL94 V-0	BLACK

ANGULAR	±5°
X.	±0.40
X.x	±0.30
X.xx	±0.20
X.xxx	±0.15
UNSPECIFIED TOLERANCES	



XKB INDUSTRIAL PRECISION CO.,LIMITED

DESIGN	桑葚	VIEW:	
CHECKED		UNIT:	mm/in
APPROVED		SIZE:	A4

MODEL TYPE:	USB TYPE-C 16PIN L=7.3		
PART NO.:	U262-16XN-4BVC11		
DWG NO.:			

SCALE	PAGE	REVISION
N/A	1/1	A0