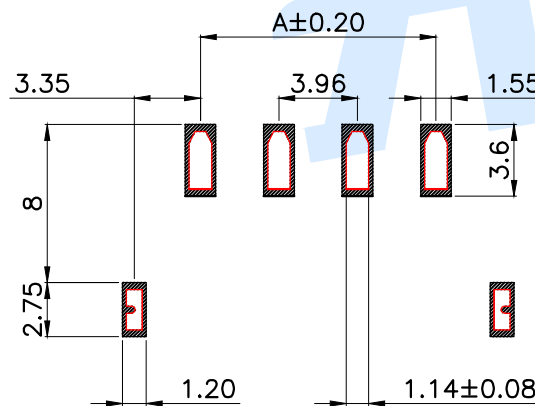
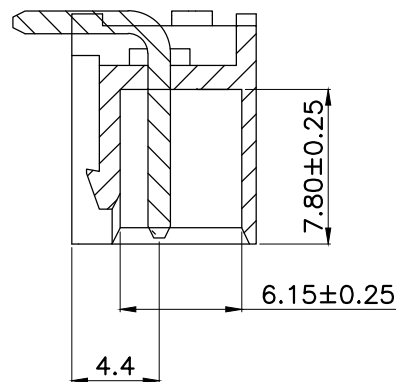
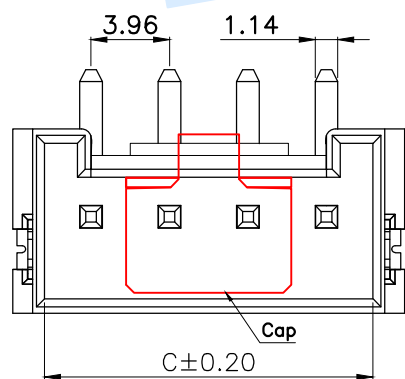
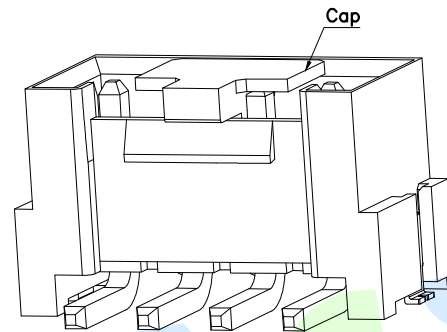
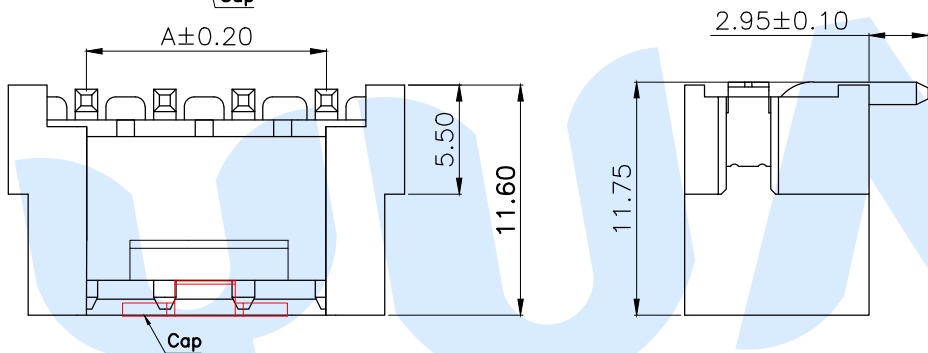
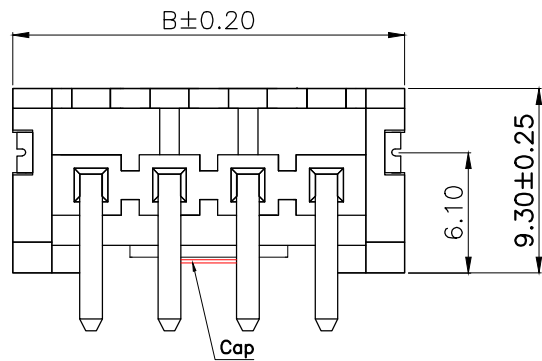


RoHS



适用线路板 (PCB LAYOUT)

Model No.	Pin	A	B	C
WAFER-VH3.96-2PLT-W1	2	3.96	11.85	8.60
WAFER-VH3.96-3PLT-W1	3	7.92	15.81	12.56
WAFER-VH3.96-4PLT-W1	4	11.88	19.77	16.52
WAFER-VH3.96-5PLT-W1	5	15.84	23.73	20.48
WAFER-VH3.96-6PLT-W1	6	19.80	27.69	24.44
WAFER-VH3.96-7PLT-W1	7	23.76	31.65	28.40
WAFER-VH3.96-8PLT-W1	8	27.72	35.61	32.36
WAFER-VH3.96-9PLT-W1	9	31.68	39.57	36.32
WAFER-VH3.96-10PLT-W1	10	35.64	43.53	40.28
WAFER-VH3.96-11PLT-W1	11	39.60	47.49	44.24
WAFER-VH3.96-12PLT-W1	12	43.56	51.45	48.20
WAFER-VH3.96-13PLT-W1	13	47.52	55.41	52.16
WAFER-VH3.96-14PLT-W1	14	51.48	59.37	56.12

WAFER-VH3.96-□□PLT-W1 (-P=盘装, 非盘装不启用)

Specifications/技术规格:

- 1.Poles/线数: 2~14P
- 2.Wire range/适用线规: AGW 22#~18#
- 3.Applicable PC board thickness/适用PC板厚度: 1.6mm
- 4.Current rating/额定电流: 7.0A
- 5.Voltage rating/额定电压: 250V DC/AC
- 6.Insulation Resistance/绝缘电阻: 1000MΩ Min
- 7.Dielectric Withstanding/耐电压: 1500V AC/minute
- 8.Contact Resistance/接触电阻: 20mΩ Max
- 9.Operating Temperature/工作温度: -25℃ to +85℃

Ⓒ	Soldering lug		1	Brass	Plating Sn
Ⓑ	Terminal			Brass	Plating Sn
Ⓐ	Housing		1	LCP	Off White
NO.	Name	Number	Qty	Materil	Remarks

YUANDI® Yuandi Electronics Co, Ltd
元迪

design	date	name	WAFER CONNECTOR
Review	date	model	WAFER-VH3.96-□□PLT-W1
Approved	date		

Drawing number: Proportion 1:1 unit mm gage number A4

modify Review Approved Tolerance not specified