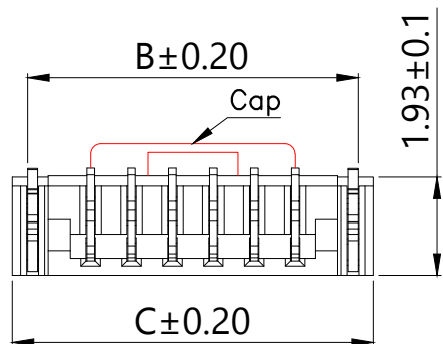
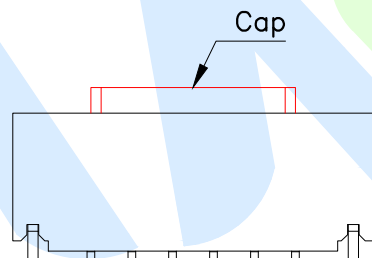
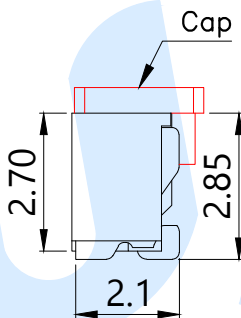
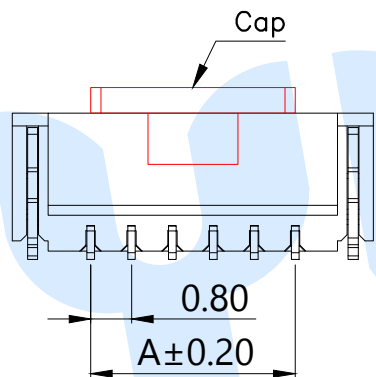
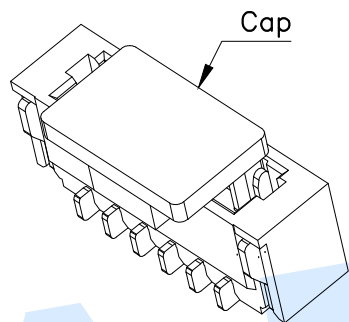


RoHS



1.93±0.1

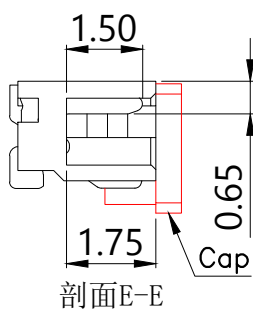
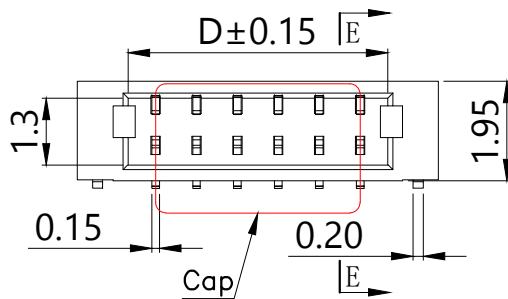


Model No.	Pin	A	B	C	D
WAFER-SURO.8-2PLT-W1	2	0.80	3.25	3.85	1.88
WAFER-SURO.8-3PLT-W1	3	1.60	4.05	4.65	2.68
WAFER-SURO.8-4PLT-W1	4	2.40	4.85	5.45	3.48
WAFER-SURO.8-5PLT-W1	5	3.20	5.65	6.25	4.28
WAFER-SURO.8-6PLT-W1	6	4.00	6.45	7.05	5.08
WAFER-SURO.8-7PLT-W1	7	4.80	7.25	7.85	5.88
WAFER-SURO.8-8PLT-W1	8	5.60	8.05	8.65	6.68
WAFER-SURO.8-9PLT-W1	9	6.40	8.85	9.45	7.48
WAFER-SURO.8-10PLT-W1	10	7.20	9.65	10.25	8.28
WAFER-SURO.8-11PLT-W1	11	8.00	10.45	11.05	9.08
WAFER-SURO.8-12PLT-W1	12	8.80	11.25	11.85	9.88
WAFER-SURO.8-13PLT-W1	13	9.60	12.05	12.65	10.68
WAFER-SURO.8-14PLT-W1	14	10.40	12.85	13.45	11.48
WAFER-SURO.8-15PLT-W1	15	11.20	13.65	14.25	12.28
WAFER-SURO.8-16PLT-W1	16	12.00	14.45	15.05	13.08

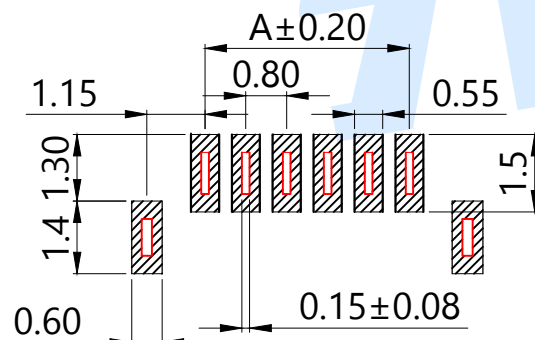
WAFER-SURO.8-□□PLT-W1 (-P=盘装, 非盘装不启用)

Specifications/技术规格:

- 1.Poles/线数: 2~20P
- 2.Wire range/适用线规: AGW 32#~28#
- 3.Applicable PC board thickness/适用PC板厚度: 0.6~1.2mm
- 4.Current rating/额定电流: 1.0A
- 5.Voltage rating/额定电压: 30V DC/AC
- 6.Insulation Resistance/绝缘电阻: 100MΩ Min
- 7.Dielectric Withstanding/ 耐电压: 200V AC/minute
- 8.Contact Resistance/ 接触电阻: 40mΩ Max
- 9.Operating Temperature/ 工作温度: -25°C to +85°C



剖面E-E



适用线路板 (PCB LAYOUT)

NO.	Name	Number	Qty	Materil	Remarks
◎	Soldering lug		1	Phosphorous copper	Plating Sn
Ⓑ	Terminal			Phosphorous copper	Plating Sn
Ⓐ	Housing		1	LCP	Off White

YUANDI® Yuandi Electronics Co., Ltd

design	date	name	WAFER CONNECTOR
Review	date	model	WAFER-SURO.8-□□PLT-W1
Approved	date		

Drawing number: Proportion 1:1 unit mm gage number A4

modify Review Approved Tolerance not specified

angle	±2'
10~30	±0.30
5~10	±0.20
~ 5	±0.10