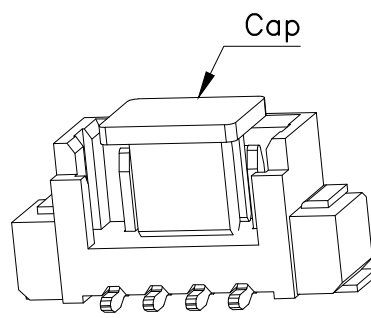
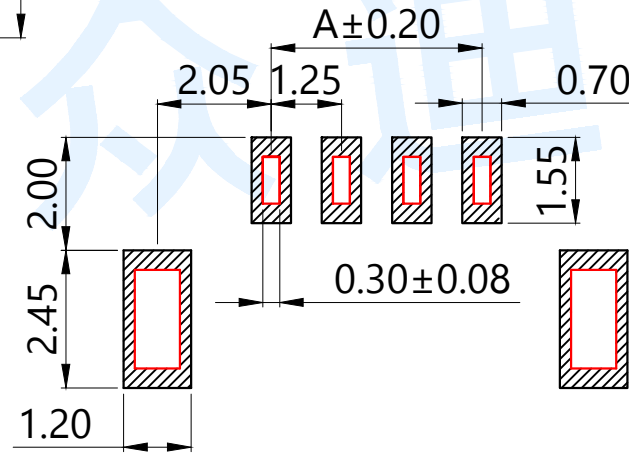
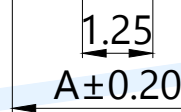
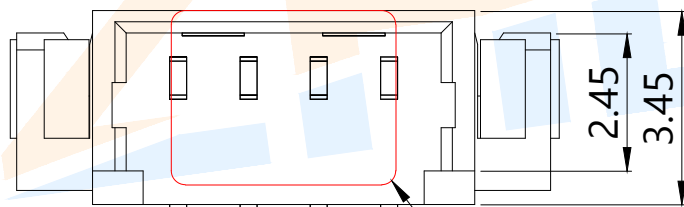
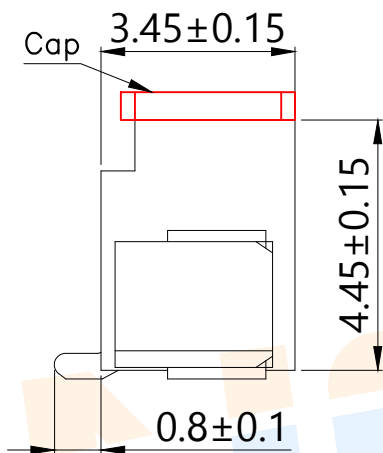
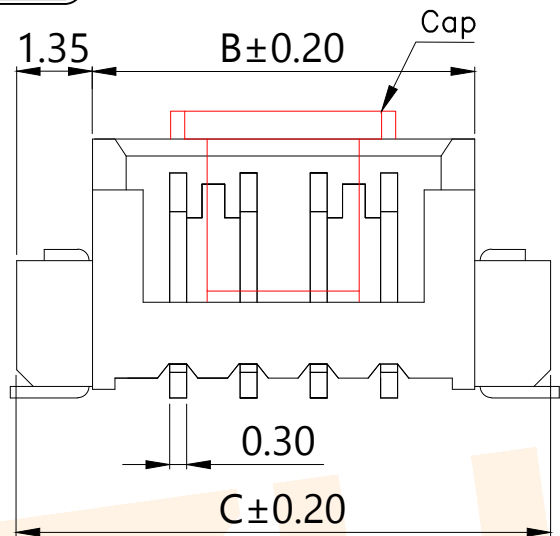


RoHS



适用线路板 (PCB LAYOUT)

Model No.	Pin	A	B	C
WAFER-MX1.25-2PLT-W1	2	1.25	4.30	7.00
WAFER-MX1.25-3PLT-W1	3	2.50	5.55	8.25
WAFER-MX1.25-4PLT-W1	4	3.75	6.80	9.50
WAFER-MX1.25-5PLT-W1	5	5.00	8.05	10.75
WAFER-MX1.25-6PLT-W1	6	6.25	9.30	12.00
WAFER-MX1.25-7PLT-W1	7	7.50	10.55	13.25
WAFER-MX1.25-8PLT-W1	8	8.75	11.80	14.50
WAFER-MX1.25-9PLT-W1	9	10.00	13.05	15.75
WAFER-MX1.25-10PLT-W1	10	11.25	14.30	17.00
WAFER-MX1.25-11PLT-W1	11	12.50	15.55	18.25
WAFER-MX1.25-12PLT-W1	12	13.75	16.80	19.50
WAFER-MX1.25-13PLT-W1	13	15.00	18.05	20.75
WAFER-MX1.25-14PLT-W1	14	16.25	19.30	22.00
WAFER-MX1.25-15PLT-W1	15	17.50	20.55	23.25
WAFER-MX1.25-16PLT-W1	16	18.75	21.80	24.50
WAFER-MX1.25-13PLT-W1	17	20.00	23.05	25.75
WAFER-MX1.25-14PLT-W1	18	21.25	24.30	27.00
WAFER-MX1.25-15PLT-W1	19	22.50	25.55	28.25
WAFER-MX1.25-16PLT-W1	20	23.75	26.80	29.50

WAFER-MX1.25-□□PLT-W1 (-P=盘装, 非盘装不启用)

- Specifications/技术规格:
- 1.Poles/线数: 2~20P
  - 2.Wire range/适用线规: AGW 32#~28#
  - 3.Applicable PC board thickness/适用PC板厚度: 0.6~1.2mm
  - 4.Current rating/额定电流: 1.0A
  - 5.Voltage rating/额定电压: 125V DC/AC
  - 6.Insulation Resistance/绝缘电阻: 100MΩ Min
  - 7.Dielectric Withstanding/ 耐压: 500V AC/minute
  - 8.Contact Resistance/ 接触电阻: 20mΩ Max
  - 9.Operating Temperature/ 工作温度: -25°C to +85°C

Ⓒ	Soldering lug		1	Brass	Plating Sn
Ⓑ	Terminal			Brass	Plating Sn
Ⓐ	Housing		1	LCP	Off White
NO.	Name	Number	Qty	Materil	Remarks

ZHONGDI® Zhongdi Electronic Technology Co., Ltd

design	date	name	WAFER CONNECTOR
Review	date		
Approved	date	model	WAFER-MX1.25-□□PLT-W1

							angle	±2'
							10~30	±0.30
							5~10	±0.20
							~ 5	±0.10
							Tolerance not specified	
							Proportion	1:1
							unit	mm
							gape number	