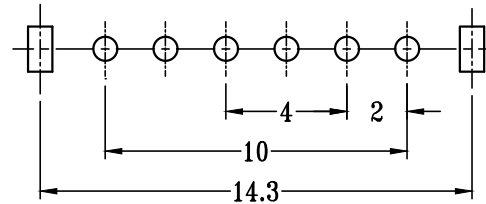
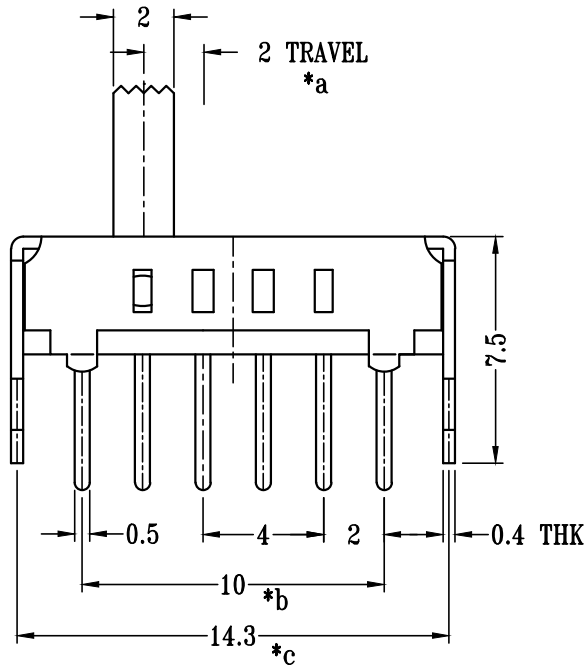


### SS-14D01-GXXX

直柄  
G-Switch P/N

**Switch Height (mm)**

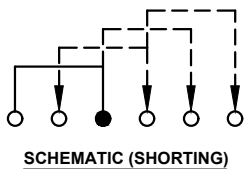
G020=2.0	G030=3.0
G040=4.0	G050=5.0
G055=5.5	G060=6.0
G065=6.5	G070=7.0
G075=7.5	G080=8.0
G085=8.5	G090=9.0
G095=9.5	G100=10.0



P.C.B LAYOUT  
BOTTOM VIEW

**G-Switch Specification:**

Electrical Specifications: 1.0A/DC24V  
 Contact resistance (CR): ≤50mΩ  
 Insulation Resistance(IR): ≥100MΩ DC250V  
 Compressive strength (WV): AC250V 1minute  
 Operating temperature: -25°C~+70°C  
 Storage humidity: <85%RH  
 Electrical life: 10,000Cycles.



### G-Switch Electronic (HongKong) CO.,Ltd.

Unless otherwise specified, Tolerance:  
 X. ±0.30  
 X.x ±0.20  
 X.xx ±0.15  
 X.xxx ±0.10  
 Angles ±3°

DESIGN FengFengChen	DATE 2019.05.29	Molde code:		
CHECKED	DATE	SS-14D01-GXXX		
APPROVED	DATE			
<a href="http://www.dg-switch.com">http://www.dg-switch.com</a>		REV.: X1	SCALE: 4:1	UNIT: mm
TEL:0769-82388879		SIZE: A4	SHEET: 1/1	