

Current rating:3A AC/DC
 额定电流: 3A AC/DC
 Temperature range:-40°C-+125°C
 温度范围: -40°C-+125°C

K 137635 H M - 2xXX B - N0
 ① ② ③ ④ ⑤ ⑥ ⑦

- 1.K: XKBTEK-Car Connector
- 2.XKB Series No
- 3.Category:H-Housing
- 4.Category:M-Male Housing
- 5.Row No.Pin No:2xXX-2x06 Pin
- 6.Material:N0-PA66 UL 94V-0

| | | | |
|--------------------|----------|-------|-----------------------|
| K137635HM-2xXXB-N0 | PA66 | Gray | K137635TF-B |
| PART NO | Material | Color | Suitable XKB Terminal |

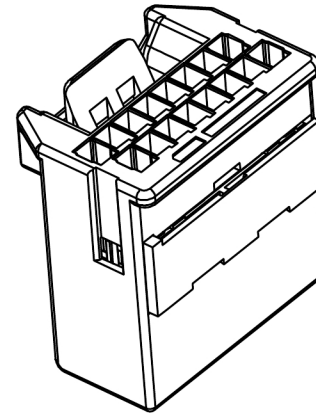
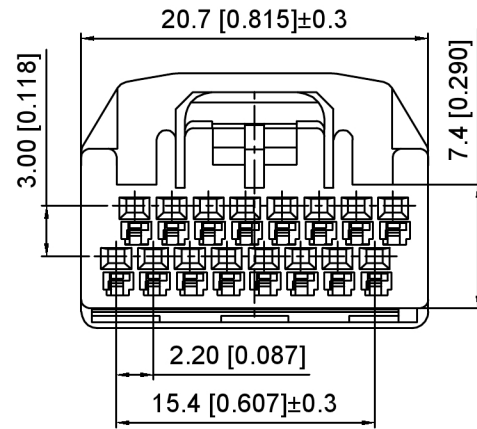
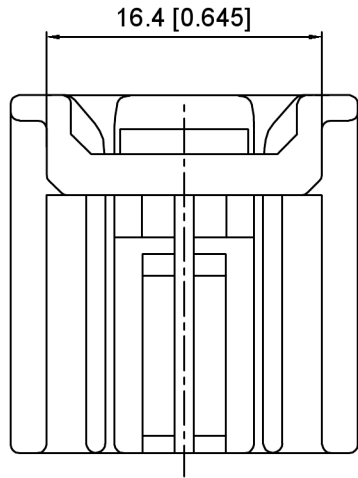
| | | |
|------|-------------|---|
| DSND | SCALE: N/A | MODEL TYPE: 2.2mm Automobile connector |
| DWN | VIEW: | PART NO.: K137635HM-2xXXB-N0 |
| CHKD | UNIT: mm/in | DWG NO.: |
| APPD | SIZE: A4 | X-K137635HM-2xXXB-N0 |



XKB INDUSTRIAL PRECISION CO.,LIMITED

| | | |
|--------|-------|----------|
| WEIGHT | SHEET | REVISION |
| | 1/1 | A0 |

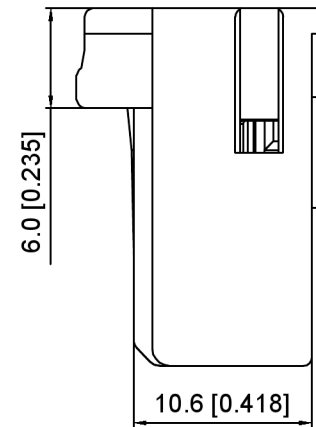
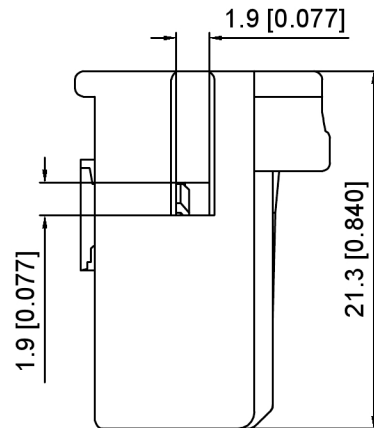
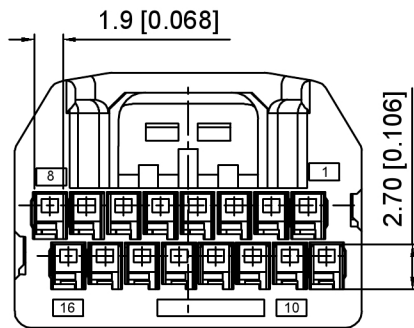
| | | | | | | |
|---|-------------|------|---------|----------|------------------------|------|
| | | | | | ANGLAR | ±5° |
| Δx | | | | | L ≤ 4 | ±0.2 |
| Δx | | | | | 4 < L ≤ 16 | ±0.3 |
| Δx | | | | | 16 < L ≤ 63 | ±0.4 |
| MARK | DESCRIPTION | DATE | REVISED | APPROVED | L > 63 | ±0.5 |
| REVISIONS | | | | | UNSPECIFIED TOLERANCES | |
| www.helloxkb.com www.helloxkb.cn www.xk-dg.cn | | | | | | |



Current rating: 3A AC/DC
 额定电流: 3A AC/DC
 Temperature range: -40°C-+125°C
 温度范围: -40°C-+125°C

K 137635 H M - 2xXX B - N0
 ① ② ③ ④ ⑤ ⑥ ⑦

- 1.K: XKBTEK-Car Connector
- 2.XKB Series No
- 3.Category:H-Housing
- 4.Category:M-Male Housing
- 5.Row No.Pin No:2xXX-2x08 Pin
- 6.Material:N0-PA66 UL 94V-0



| | | | |
|--------------------|----------|-------|-----------------------|
| K137635HM-2xXXB-N0 | PA66 | Gray | K137635TF-B |
| PART NO | Material | Color | Suitable XKB Terminal |

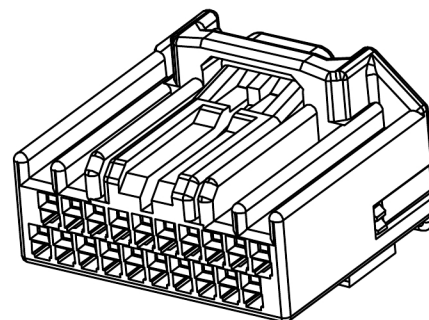
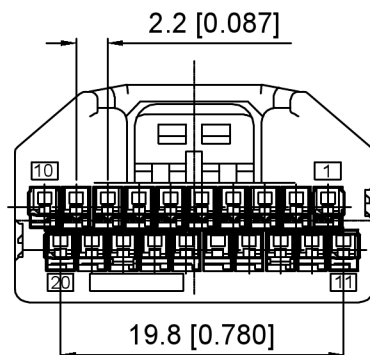
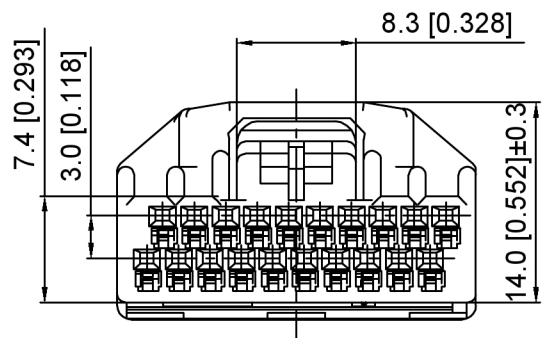
| | | |
|------|-------------|---|
| DSND | SCALE: N/A | MODEL TYPE: 2.2mm Automobile connector |
| DWN | VIEW: | PART NO.: K137635HM-2xXXB-N0 |
| CHKD | UNIT: mm/in | DWG NO.: X-K137635HM-2xXXB-N0 |
| APPD | SIZE: A4 | |

| | | | | | | |
|------|-------------|------|---------|----------|-------------|------|
| | | | | | ANGLAR | ±5° |
| ΔX | | | | | L ≤ 4 | ±0.2 |
| ΔX | | | | | 4 < L ≤ 16 | ±0.3 |
| ΔX | | | | | 16 < L ≤ 63 | ±0.4 |
| MARK | DESCRIPTION | DATE | REVISED | APPROVED | L > 63 | ±0.5 |

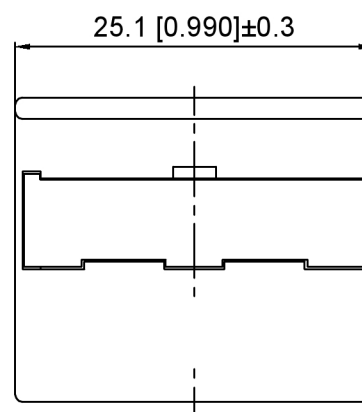
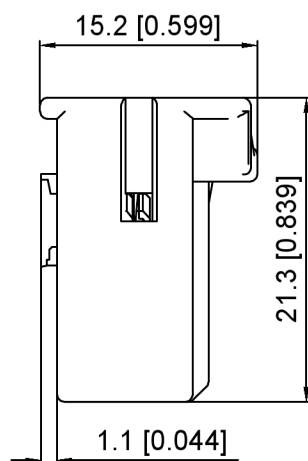
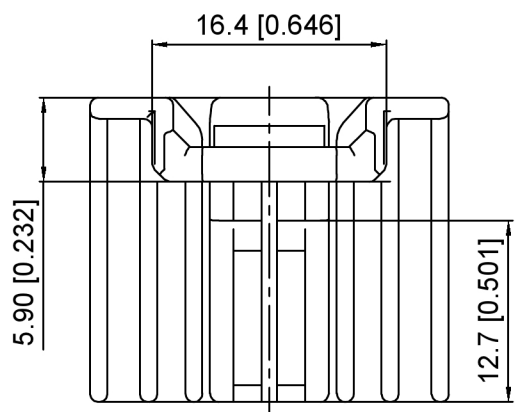


XKB INDUSTRIAL PRECISION CO., LIMITED

| | | | |
|------------------------|--------|-------|----------|
| UNSPECIFIED TOLERANCES | WEIGHT | SHEET | REVISION |
| | | 1/1 | A0 |



Current rating:3A AC/DC
 额定电流: 3A AC/DC
 Temperature range:-40°C-+125°C
 温度范围: -40°C-+125°C



K 137635 H M - 2xXX B - N0
 ① ② ③ ④ ⑤ ⑥ ⑦

- 1.K: XKBTEK-Car Connector
- 2.XKB Series No
- 3.Category:H-Housing
- 4.Category:M-Male Housing
- 5.Row No.Pin No:2xXX-2x10 Pin
- 6.Material:N0-PA66 UL 94V-0

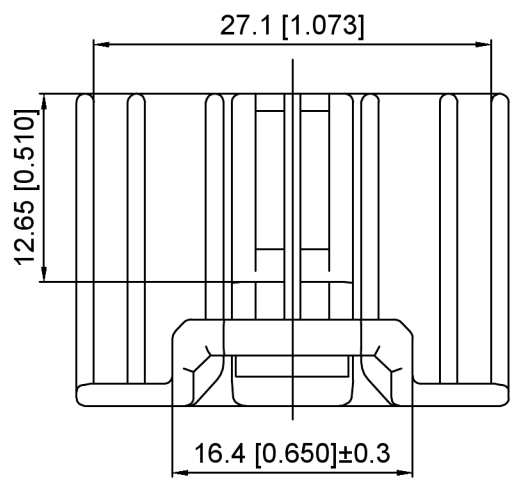
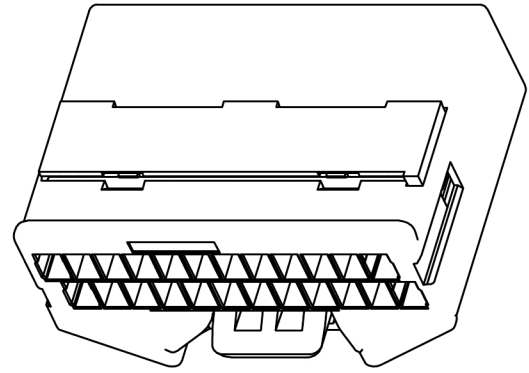
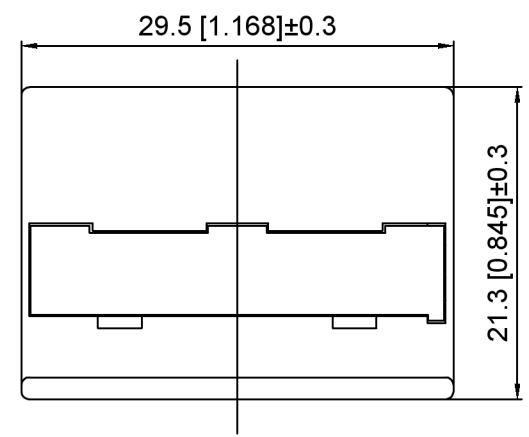
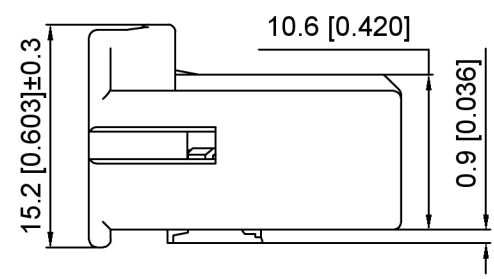
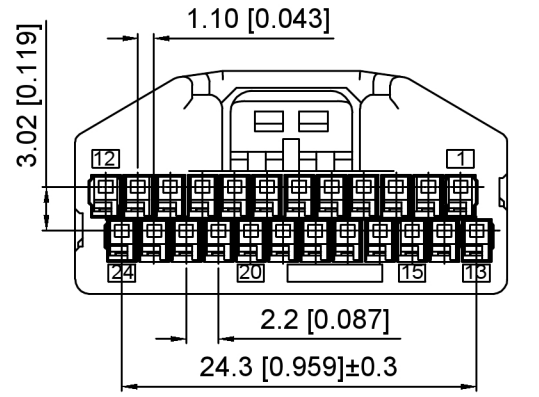
| | | | |
|--------------------|----------|-------|-----------------------|
| K137635HM-2xXXB-N0 | PA66 | Gray | K137635TF-B |
| PART NO | Material | Color | Suitable XKB Terminal |

| | | |
|------|-------------|---|
| DSND | SCALE: N/A | MODEL TYPE: 2.2mm Automobile connector |
| DWN | VIEW: | PART NO.: K137635HM-2xXXB-N0 |
| CHKD | UNIT: mm/in | DWG NO.: X-K137635HM-2xXXB-N0 |
| APPD | SIZE: A4 | WEIGHT SHEET REVISION |
| | | 1/1 A0 |



XKB INDUSTRIAL PRECISION CO., LIMITED

| | | | | | | |
|-----------|-------------|------|---------|----------|------------------------|------|
| | | | | | ANGLAR | ±5° |
| ΔX | | | | | L ≤ 4 | ±0.2 |
| ΔX | | | | | 4 < L ≤ 16 | ±0.3 |
| ΔX | | | | | 16 < L ≤ 63 | ±0.4 |
| MARK | DESCRIPTION | DATE | REVISED | APPROVED | L > 63 | ±0.5 |
| REVISIONS | | | | | UNSPECIFIED TOLERANCES | |



Current rating: 3A AC/DC
 额定电流: 3A AC/DC
 Temperature range: -40°C~+125°C
 温度范围: -40°C~+125°C

K 137635 H M - 2xXX B - N0
 ① ② ③ ④ ⑤ ⑥ ⑦

- 1.K: XKBTEK-Car Connector
- 2.XKB Series No
- 3.Category:H-Housing
- 4.Category:M-Male Housing
- 5.Row No.Pin No:2xXX-2x12 Pin
- 6.Material:N0-PA66 UL 94V-0

| | | | |
|--------------------|----------|-------|-----------------------|
| K137635HM-2xXXB-N0 | PA66 | Gray | K137635TF-B |
| PART NO | Material | Color | Suitable XKB Terminal |

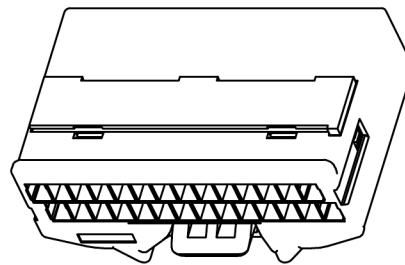
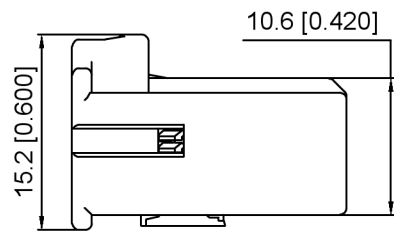
| | | |
|------|-------------|---|
| DSND | SCALE: N/A | MODEL TYPE: 2.2mm Automobile connector |
| DWN | VIEW: | PART NO.: K137635HM-2xXXB-N0 |
| CHKD | UNIT: mm/in | DWG NO.: X-K137635HM-2xXXB-N0 |
| APPD | SIZE: A4 | |

| | | | | | | |
|---|-------------|------|---------|----------|------------------------|------|
| | | | | | ANGULAR | ±5° |
| ΔX | | | | | L ≤ 4 | ±0.2 |
| ΔX | | | | | 4 < L ≤ 16 | ±0.3 |
| ΔX | | | | | 16 < L ≤ 63 | ±0.4 |
| MARK | DESCRIPTION | DATE | REVISED | APPROVED | L > 63 | ±0.5 |
| REVISIONS | | | | | UNSPECIFIED TOLERANCES | |
| www.helloxkb.com www.helloxkb.cn www.xk-dg.cn | | | | | | |

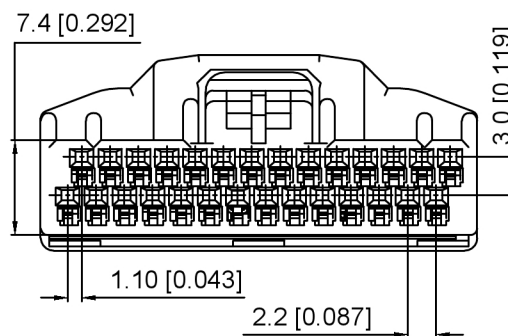
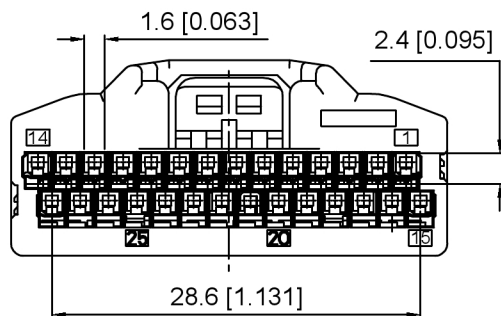


XKB INDUSTRIAL PRECISION CO., LIMITED

| | | |
|--------|-------|----------|
| WEIGHT | SHEET | REVISION |
| | 1/1 | A0 |

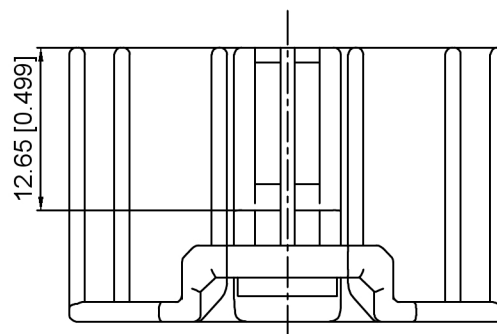
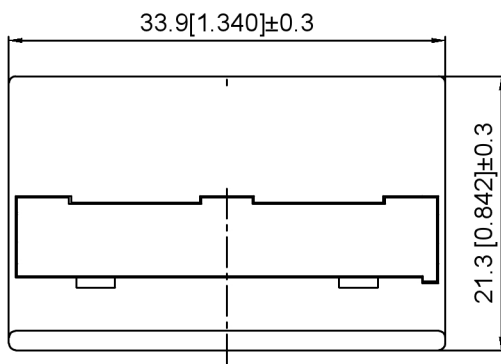


Current rating: 3A AC/DC
 额定电流: 3A AC/DC
 Temperature range: -40°C-+125°C
 温度范围: -40°C-+125°C



K 137635 H M - 2xXX B - N0
 ① ② ③ ④ ⑤ ⑥ ⑦

- 1.K: XKBTEK-Car Connector
- 2.XKB Series No
- 3.Category:H-Housing
- 4.Category:M-Male Housing
- 5.Row No.Pin No:2xXX-2x14 Pin
- 6.Material:N0-PA66 UL 94V-0



| | | | |
|--------------------|----------|-------|-----------------------|
| K137635HM-2xXXB-N0 | PA66 | Gray | K137635TF-B |
| PART NO | Material | Color | Suitable XKB Terminal |

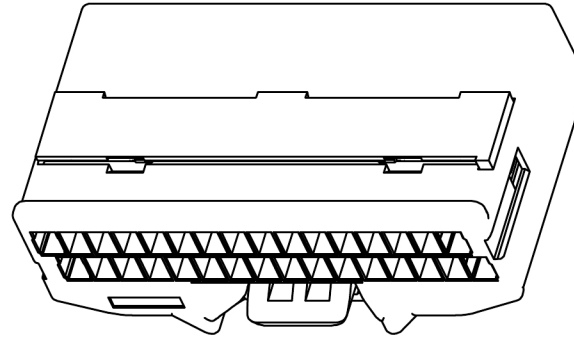
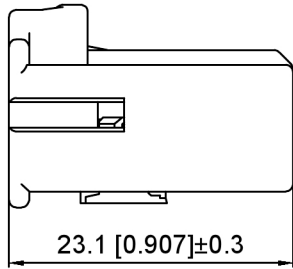
| | | |
|------|-------------|---|
| DSND | SCALE: N/A | MODEL TYPE: 2.2mm Automobile connector |
| DWN | VIEW: | PART NO.: K137635HM-2xXXB-N0 |
| CHKD | UNIT: mm/in | DWG NO.: X-K137635HM-2xXXB-N0 |
| APPD | SIZE: A4 | |



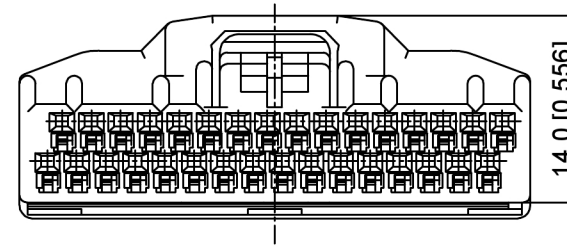
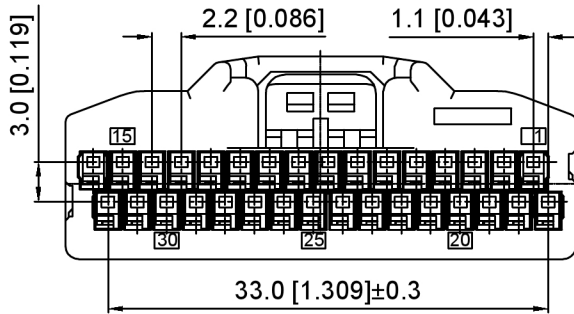
XKB INDUSTRIAL PRECISION CO., LIMITED

| | | |
|--------|-------|----------|
| WEIGHT | SHEET | REVISION |
| | 1/1 | A0 |

| | | | | | | |
|---|--|--|--|--|------------------------|------|
| | | | | | ANGLAR | ±5° |
| ΔX | | | | | L ≤ 4 | ±0.2 |
| ΔX | | | | | 4 < L ≤ 16 | ±0.3 |
| ΔX | | | | | 16 < L ≤ 63 | ±0.4 |
| MARK | | | | | L > 63 | ±0.5 |
| REVISIONS | | | | | UNSPECIFIED TOLERANCES | |
| www.helloxkb.com www.helloxkb.cn www.xk-dg.cn | | | | | | |

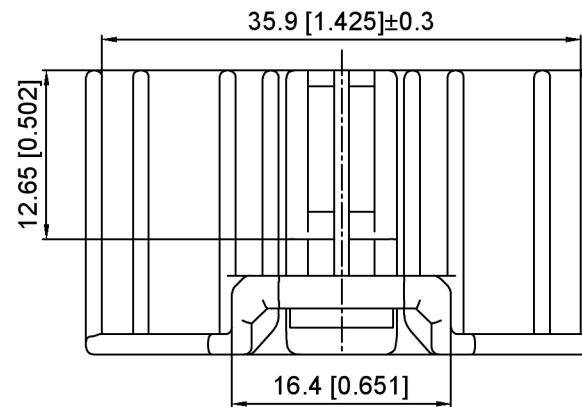
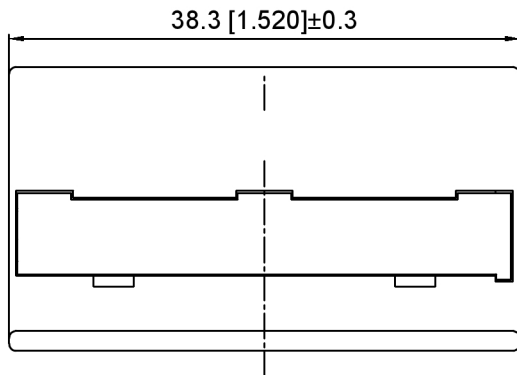


Current rating:3A AC/DC
 额定电流: 3A AC/DC
 Temperature range:-40°C-+125°C
 温度范围: -40°C-+125°C



K 137635 H M - 2xXX B - N0
 ① ② ③ ④ ⑤ ⑥ ⑦

- 1.K: XKBTEK-Car Connector
- 2.XKB Series No
- 3.Category:H-Housing
- 4.Category:M-Male Housing
- 5.Row No.Pin No:2xXX-2x16 Pin
- 6.Material:N0-PA66 UL 94V-0



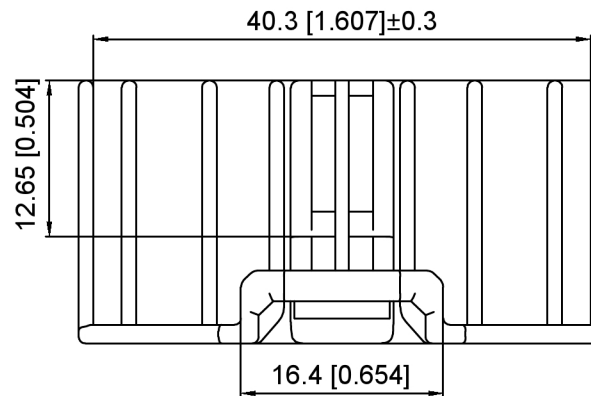
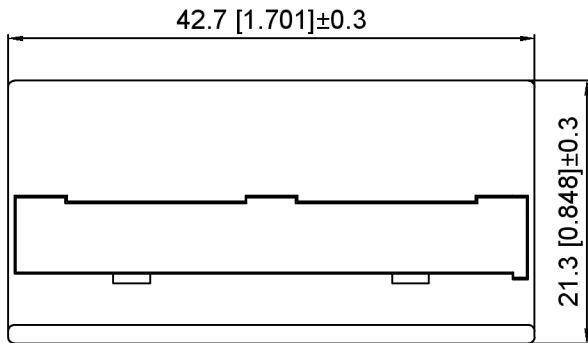
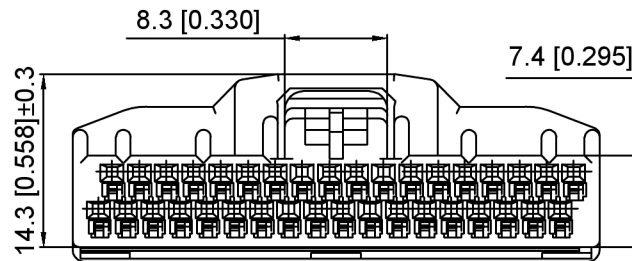
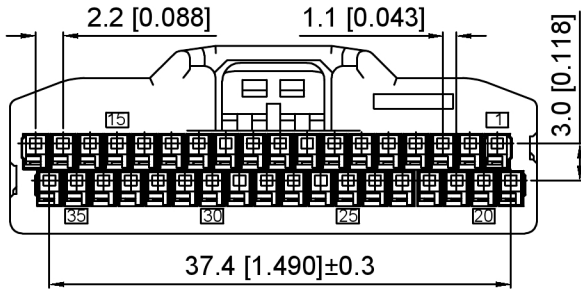
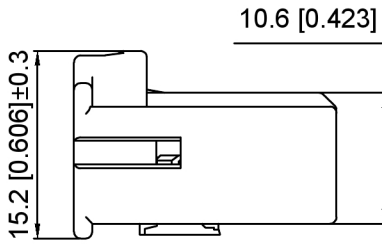
| | | | |
|--------------------|----------|-------|-----------------------|
| K137635HM-2xXXB-N0 | PA66 | Gray | K137635TF-B |
| PART NO | Material | Color | Suitable XKB Terminal |

| | | |
|------|-------------|---|
| DSND | SCALE: N/A | MODEL TYPE: 2.2mm Automobile connector |
| DWN | VIEW: | PART NO.: K137635HM-2xXXB-N0 |
| CHKD | UNIT: mm/in | DWG NO.: X-K137635HM-2xXXB-N0 |
| APPD | SIZE: A4 | WEIGHT SHEET REVISION |

| MARK | DESCRIPTION | DATE | REVISED | APPROVED | ANGLAR | ±5° |
|------|-------------|------|---------|----------|-------------|------|
| ΔX | | | | | L ≤ 4 | ±0.2 |
| ΔX | | | | | 4 < L ≤ 16 | ±0.3 |
| ΔX | | | | | 16 < L ≤ 63 | ±0.4 |
| | | | | | L > 63 | ±0.5 |



XKB INDUSTRIAL PRECISION CO., LIMITED



Current rating:3A AC/DC
 额定电流: 3A AC/DC
 Temperature range:-40°C~+125°C
 温度范围: -40°C~+125°C

K 137635 H M - 2xXX B - N0
 ① ② ③ ④ ⑤ ⑥ ⑦

- 1.K: XKBTEK-Car Connector
- 2.XKB Series No
- 3.Category:H-Housing
- 4.Category:M-Male Housing
- 5.Row No.Pin No:2xXX-2x18 Pin
- 6.Material:N0-PA66 UL 94V-0

| | | | |
|--------------------|----------|-------|-----------------------|
| K137635HM-2xXXB-N0 | PA66 | Gray | K137635TF-B |
| PART NO | Material | Color | Suitable XKB Terminal |

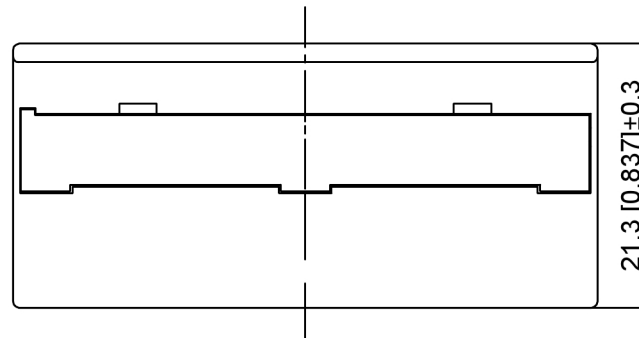
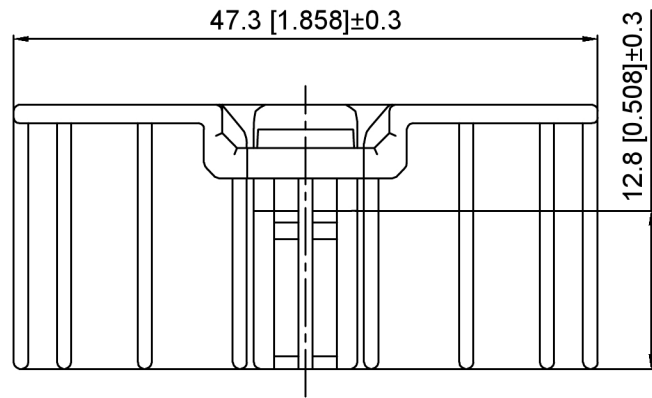
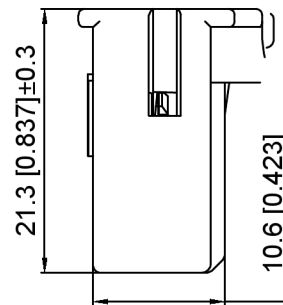
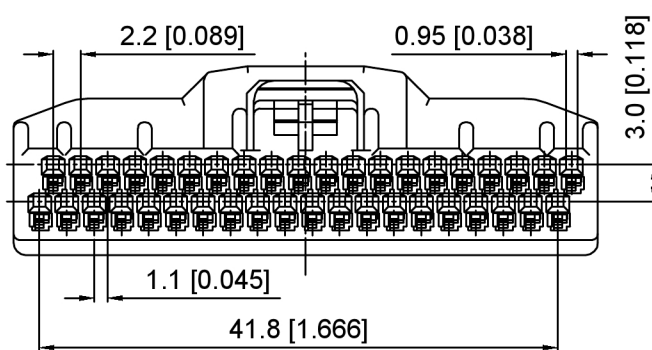
| | | |
|------|-------------|---|
| DSND | SCALE: N/A | MODEL TYPE: 2.2mm Automobile connector |
| DWN | VIEW: | PART NO.: K137635HM-2xXXB-N0 |
| CHKD | UNIT: mm/in | DWG NO.: X-K137635HM-2xXXB-N0 |
| APPD | SIZE: A4 | WEIGHT SHEET REVISION |
| | | 1/1 A0 |



XKB INDUSTRIAL PRECISION CO.,LIMITED

| | |
|------------------------|------|
| ANGLAR | ±5° |
| L ≤ 4 | ±0.2 |
| 4 < L ≤ 16 | ±0.3 |
| 16 < L ≤ 63 | ±0.4 |
| L > 63 | ±0.5 |
| UNSPECIFIED TOLERANCES | |

| MARK | DESCRIPTION | DATE | REVISED | APPROVED |
|------|-------------|------|---------|----------|
| ΔX | | | | |
| ΔX | | | | |
| ΔX | | | | |



Current rating:3A AC/DC
 额定电流: 3A AC/DC
 Temperature range:-40°C~+125°C
 温度范围: -40°C~+125°C

K 137635 H M - 2XX B - N0
 ① ② ③ ④ ⑤ ⑥ ⑦

- 1.K: XKBTEK-Car Connector
- 2.XKB Series No
- 3.Category:H-Housing
- 4.Category:M-Male Housing
- 5.Row No.Pin No:2xXX-2x20 Pin
- 6.Material:N0-PA66 UL 94V-0

| | | | |
|--------------------|----------|-------|-----------------------|
| K137635HM-2xXXB-N0 | PA66 | Gray | K137635TF-B |
| PART NO | Material | Color | Suitable XKB Terminal |

| | | |
|------|-------------|---|
| DSND | SCALE: N/A | MODEL TYPE: 2.2mm Automobile connector |
| DWN | VIEW: | PART NO.: K137635HM-2xXXB-N0 |
| CHKD | UNIT: mm/in | DWG NO.: X-K137635HM-2xXXB-N0 |
| APPD | SIZE: A4 | WEIGHT SHEET REVISION |



XKB INDUSTRIAL PRECISION CO.,LIMITED

| | | |
|--------|-------|----------|
| WEIGHT | SHEET | REVISION |
| | 1/1 | A0 |

ANGULAR ±5°

L ≤ 4 ±0.2

4 < L ≤ 16 ±0.3

16 < L ≤ 63 ±0.4

L > 63 ±0.5

UNSPECIFIED TOLERANCES

| MARK | DESCRIPTION | DATE | REVISED | APPROVED |
|------|-------------|------|---------|----------|
| ΔX | | | | |
| ΔX | | | | |
| ΔX | | | | |

REVISIONS