



SN74HC4060 (LX)

14-stage Ripple-carry Binary Counter/Divider and Oscillator

Product Specification

Specification Revision History:

Version	Date	Description
2021-06-A1	2021-06	New
2023-04-B1	2023-04	Update the template



Contents

1、 General Description.....	3
2、 Block Diagram And Pin Description	5
2.1、 Block Diagram	5
2.2、 Pin Configurations.....	5
2.3、 Pin Description	6
2.4、 Function Table.....	6
3、 Electrical Parameter	6
3.1、 Absolute Maximum Ratings.....	6
3.2、 Recommended Operating Conditions	7
3.3、 Electrical Characteristics	7
3.3.1、 DC Characteristics 1	7
3.3.2、 DC Characteristics 2	8
3.3.3、 DC Characteristics 3	9
3.3.4、 AC Characteristics 1	10
3.3.5、 AC Characteristics 2	11
4、 Testing Circuit	12
4.1、 AC Testing Circuit	12
4.2、 AC Testing Waveforms.....	12
4.3、 Measurement Points	12
4.4、 Test Data	12
5、 Package Information	13
5.1、 DIP16	13
5.2、 SOP16	14
5.3、 TSSOP16.....	15
6、 Statements And Notes	16
6.1、 The name and content of Hazardous substances or Elements in the product.....	16



1、 General Description

SN74HC4060 is a 14-stage ripple-carry binary counter/divider and oscillator with three oscillator terminals(RS,REXT and CEXT), ten buffered outputs (Q3 to Q9 and Q11 to Q13) and an overriding asynchronous master reset input (MR).

The oscillator configuration allows design of either RC or crystal oscillator circuits. The oscillator may be replaced by an external clock signal at input RS. The counter advances on the negative-going transition of RS. A HIGH level on MR resets the counter (Q3 to Q9 and Q11 to Q13=LOW), independent of other input conditions.

It operates over a recommended V_{DD} power supply range of 3V to 15V referenced to V_{SS} (usually ground). Unused inputs must be connected to V_{DD} , V_{SS} , or another input.

Features:

- Wide supply voltage range from 3V to 15V
- Tolerant of slow clock rise and fall times
- Fully static operation
- 5V, 10V, and 15V parametric ratings
- Standardized symmetrical output characteristics
- Inputs and outputs are protected against electrostatic effects
- Specified from -40°C to +125°C
- Packaging information: DIP16/SOP16/TSSOP16



Ordering Information:

Tube packing specifications:

Part number	Packaging form	Marking code	Tube quantity	Boxed tube quantity	Boxed quantity	Notes
SN74HC4060N(LX)	DIP16	SN74HC4060N	25 PCS/tube	40 tube/box	1000 PCS/box	Dimensions of plastic enclosure: 19.0mm×6.4mm Pin spacing: 2.54mm
SN74HC4060D(LX)	SOP16	74HC4060D	50 PCS/tube	200 tube/box	10000 PCS/box	Dimensions of plastic enclosure: 10.0mm×3.9mm Pin spacing: 1.27mm
SN74HC4060PW(LX)	TSSOP16	74HC4060	96 PCS/tube	200 tube/box	19200 PCS/box	Dimensions of plastic enclosure: 5.0mm×4.4mm Pin spacing: 0.65mm

Reel packing specifications:

Part number	Packaging form	Marking code	Reel quantity	Boxed reel quantity	Notes
SN74HC4060DR(LX)	SOP16	74HC4060D	2500 PCS/reel	5000 PCS/box	Dimensions of plastic enclosure: 10.0mm×3.9mm Pin spacing:1.27mm
SN74HC4060PW(LX)	TSSOP16	74HC4060	5000 PCS/reel	10000 PCS/box	Dimensions of plastic enclosure: 5.0mm×4.4mm Pin spacing:0.65mm

Note: If the physical information is inconsistent with the ordering information, please refer to the actual product.



2、Block Diagram And Pin Description

2.1、Block Diagram

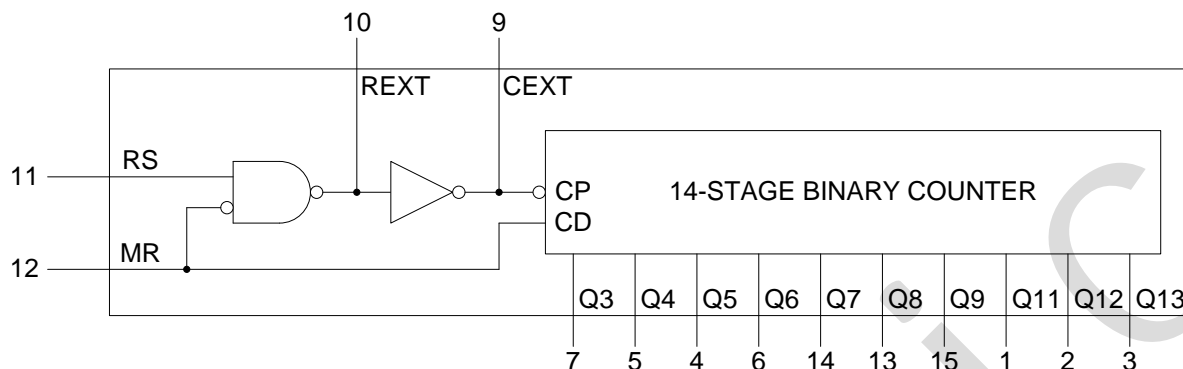


Figure 1. Functional diagram

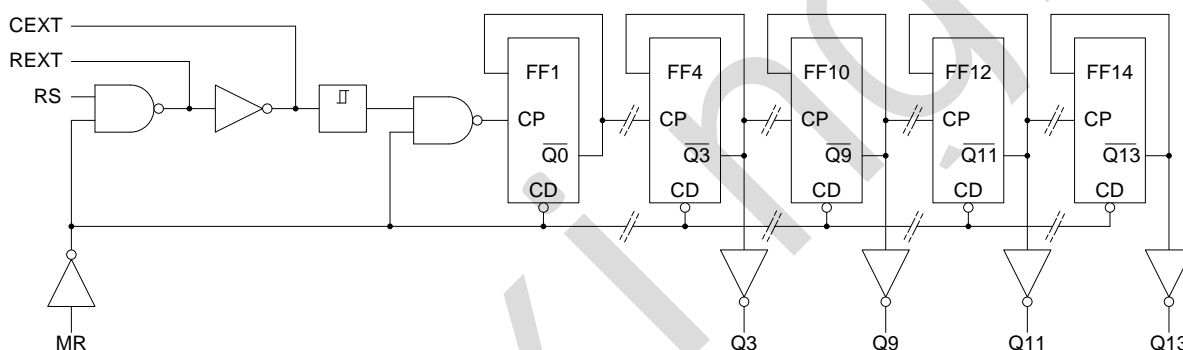
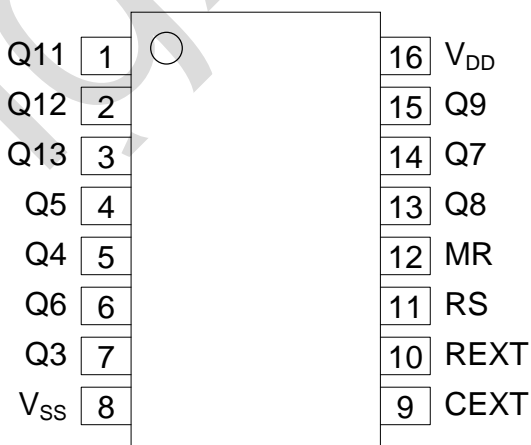


Figure 2. Logic diagram

2.2、Pin Configurations





2.3、Pin Description

Pin No.	Pin Name	Description
1	Q11	counter output
2	Q12	counter output
3	Q13	counter output
4	Q5	counter output
5	Q4	counter output
6	Q6	counter output
7	Q3	counter output
8	V _{SS}	ground (0V)
9	CEXT	external capacitor connection
10	REXT	oscillator pin
11	RS	clock input/oscillator pin
12	MR	master reset
13	Q8	counter output
14	Q7	counter output
15	Q9	counter output
16	V _{DD}	supply voltage

2.4、Function Table

Input		Output
RS	MR	Q3 to Q9 and Q11 to Q13
↑	L	no change
↓	L	count
X	H	L

Note: H=HIGH voltage level; L=LOW voltage level; X=don't care; ↑=LOW-to-HIGH clock transition.

3、Electrical Parameter

3.1、Absolute Maximum Ratings

(Voltages are referenced to V_{SS} (ground=0V), unless otherwise specified.)

Parameter	Symbol	Conditions	Min.	Max.	Unit
supply voltage	V _{DD}	-	-0.5	+18	V
DC input current	I _{IK}	any one input	-	±10	mA
input voltage	V _I	all inputs	-0.5	V _{DD} +0.5	V
storage temperature	T _{stg}	-	-65	+150	°C
total power dissipation	P _{tot}	-	-	500	mW
device dissipation	P	per output transistor	-	100	mW
soldering temperature	T _L	10s	DIP	245	°C
			SOP/TSSOP	260	°C



3.2、Recommended Operating Conditions

Parameter	Symbol	Conditions	Min.	Typ.	Max.	Unit	
supply voltage	V_{DD}	-	3	-	15	V	
ambient temperature	T_{amb}	in free air	-40	-	+125	°C	
input pulse width	t_w	f=100kHz	$V_{DD}=5V$	100	-	-	ns
			$V_{DD}=10V$	40	-	-	ns
			$V_{DD}=15V$	30	-	-	ns
input pulse rise and fall time	t_{rIN}, t_{fIN}	$V_{DD}=5V$	unlimited			-	
		$V_{DD}=10V$	unlimited			-	
		$V_{DD}=15V$	unlimited			-	
input pulse frequency	f_{RS}	external pulse source	$V_{DD}=5V$	-	-	3.5	MHz
			$V_{DD}=10V$	-	-	8	MHz
			$V_{DD}=15V$	-	-	12	MHz
reset pulse width	t_{wR}	$V_{DD}=5V$	120	-	-	ns	
		$V_{DD}=10V$	60	-	-	ns	
		$V_{DD}=15V$	40	-	-	ns	

3.3、Electrical Characteristics

3.3.1、DC Characteristics 1

($T_{amb}=25^{\circ}C$, voltages are referenced to V_{SS} (ground=0V), unless otherwise specified.)

Parameter	Symbol	Conditions (V)			$T_{amb}=25^{\circ}C$			Unit
		V_O	V_{IN}	V_{DD}	Min.	Typ.	Max.	
supply current	I_{DD}	-	0, 5	5	-	-	5	uA
		-	0, 10	10	-	-	10	uA
		-	0, 15	15	-	-	20	uA
LOW-level output current	I_{OL}	0.4	0, 5	5	0.51	1	-	mA
		0.5	0, 10	10	1.3	2.6	-	mA
		1.5	0, 15	15	3.4	6.8	-	mA
HIGH-level output current	I_{OH}	4.6	0, 5	5	-0.51	-1	-	mA
		2.5	0, 5	5	-1.6	-3.2	-	mA
		9.5	0, 10	10	-1.3	-2.6	-	mA
		13.5	0, 15	15	-3.4	-6.8	-	mA
LOW-level output voltage	V_{OL}	-	0, 5	5	-	0	0.05	V
		-	0, 10	10	-	0	0.05	V
		-	0, 15	15	-	0	0.05	V
HIGH-level output voltage	V_{OH}	-	0, 5	5	4.95	5	-	V
		-	0, 10	10	9.95	10	-	V
		-	0, 15	15	14.95	15	-	V
LOW-level input voltage	V_{IL}	0.5, 4.5	-	5	-	-	1.5	V
		1, 9	-	10	-	-	3	V
		1.5, 13.5	-	15	-	-	4	V
HIGH-level input voltage	V_{IH}	0.5, 4.5	-	5	3.5	-	-	V
		1, 9	-	10	7	-	-	V
		1.5, 13.5	-	15	11	-	-	V



input leakage current	I_I	-	0, 15	15	-	-	± 1	μA
-----------------------	-------	---	-------	----	---	---	---------	---------

3.3.2、DC Characteristics 2

($T_{amb} = -40^{\circ}C$ to $+85^{\circ}C$, voltages are referenced to V_{SS} (ground=0V), unless otherwise specified.)

Parameter	Symbol	Conditions (V)			$T_{amb} = -40^{\circ}C$		$T_{amb} = +85^{\circ}C$		Unit
		V_O	V_{IN}	V_{DD}	Min.	Max.	Min.	Max.	
supply current	I_{DD}	-	0, 5	5	-	5	-	150	μA
		-	0, 10	10	-	10	-	300	μA
		-	0, 15	15	-	20	-	600	μA
LOW-level output current	I_{OL}	0.4	0, 5	5	0.61	-	0.42	-	mA
		0.5	0, 10	10	1.5	-	1.1	-	mA
		1.5	0, 15	15	4	-	2.8	-	mA
HIGH-level output current	I_{OH}	4.6	0, 5	5	-0.61	-	-0.42	-	mA
		2.5	0, 5	5	-1.8	-	-1.3	-	mA
		9.5	0, 10	10	-1.5	-	-1.1	-	mA
		13.5	0, 15	15	-4	-	-2.8	-	mA
LOW-level output voltage	V_{OL}	-	0, 5	5	-	0.05	-	0.05	V
		-	0, 10	10	-	0.05	-	0.05	V
		-	0, 15	15	-	0.05	-	0.05	V
HIGH-level output voltage	V_{OH}	-	0, 5	5	4.95	-	4.95	-	V
		-	0, 10	10	9.95	-	9.95	-	V
		-	0, 15	15	14.95	-	14.95	-	V
LOW-level input voltage	V_{IL}	0.5, 4.5	-	5	-	1.5	-	1.5	V
		1, 9	-	10	-	3	-	3	V
		1.5, 13.5	-	15	-	4	-	4	V
HIGH-level input voltage	V_{IH}	0.5, 4.5	-	5	3.5	-	3.5	-	V
		1, 9	-	10	7	-	7	-	V
		1.5, 13.5	-	15	11	-	11	-	V
input leakage current	I_I	-	0, 15	15	-	± 1	-	± 1	μA



3.3.3、DC Characteristics 3

($T_{amb}=-40^{\circ}\text{C}$ to $+125^{\circ}\text{C}$, voltages are referenced to V_{SS} (ground=0V), unless otherwise specified.)

Parameter	Symbol	Conditions (V)			$T_{amb}=-40^{\circ}\text{C}$		$T_{amb}=+125^{\circ}\text{C}$		Unit
		V_O	V_{IN}	V_{DD}	Min.	Max.	Min.	Max.	
supply current	I_{DD}	-	0, 5	5	-	5	-	150	uA
		-	0, 10	10	-	10	-	300	uA
		-	0, 15	15	-	20	-	600	uA
LOW-level output current	I_{OL}	0.4	0, 5	5	0.61	-	0.36	-	mA
		0.5	0, 10	10	1.5	-	0.9	-	mA
		1.5	0, 15	15	4	-	2.4	-	mA
HIGH-level output current	I_{OH}	4.6	0, 5	5	-0.61	-	-0.36	-	mA
		2.5	0, 5	5	-1.8	-	-1.15	-	mA
		9.5	0, 10	10	-1.5	-	-0.9	-	mA
		13.5	0, 15	15	-4	-	-2.4	-	mA
LOW-level output voltage	V_{OL}	-	0, 5	5	-	0.05	-	0.05	V
		-	0, 10	10	-	0.05	-	0.05	V
		-	0, 15	15	-	0.05	-	0.05	V
HIGH-level output voltage	V_{OH}	-	0, 5	5	4.95	-	4.95	-	V
		-	0, 10	10	9.95	-	9.95	-	V
		-	0, 15	15	14.95	-	14.95	-	V
LOW-level input voltage	V_{IL}	0.5, 4.5	-	5	-	1.5	-	1.5	V
		1, 9	-	10	-	3	-	3	V
		1.5, 13.5	-	15	-	4	-	4	V
HIGH-level input voltage	V_{IH}	0.5, 4.5	-	5	3.5	-	3.5	-	V
		1, 9	-	10	7	-	7	-	V
		1.5, 13.5	-	15	11	-	11	-	V
input leakage current	I_I	-	0, 15	15	-	± 1	-	± 1	uA



3.3.4、AC Characteristics 1

($T_{amb}=25^{\circ}C$, $V_{SS}=0V$, $t_r, t_f=20ns$, $C_L=50pF$, $R_L=200k\Omega$, unless otherwise specified.)

Parameter	Symbol	Conditions	Min.	Typ.	Max.	Unit	
propagation delay time	t_{PHL}, t_{PLH}	RS to Q3 out; see Figure 4	$V_{DD}=5V$	-	370	740	ns
			$V_{DD}=10V$	-	150	300	ns
			$V_{DD}=15V$	-	100	200	ns
		Q _n to Q _{n+1} ; see Figure 4	$V_{DD}=5V$	-	100	200	ns
			$V_{DD}=10V$	-	50	100	ns
			$V_{DD}=15V$	-	40	80	ns
		MR to Q _n ; see Figure 4	$V_{DD}=5V$	-	180	360	ns
			$V_{DD}=10V$	-	80	160	ns
			$V_{DD}=15V$	-	50	100	ns
transition time	t_t	see Figure 4	$V_{DD}=5V$	-	100	200	ns
			$V_{DD}=10V$	-	50	100	ns
			$V_{DD}=15V$	-	40	80	ns
pulse width	t_w	minimum width; f=100kHz; RS HIGH;	$V_{DD}=5V$	-	50	100	ns
			$V_{DD}=10V$	-	20	40	ns
			$V_{DD}=15V$	-	15	30	ns
		minimum width; MR HIGH; see Figure 4	$V_{DD}=5V$	-	60	120	ns
			$V_{DD}=10V$	-	30	60	ns
			$V_{DD}=15V$	-	20	40	ns
input pulse rise and fall time	t_{rIN}, t_{fIN}	-	$V_{DD}=5V$	unlimited			-
			$V_{DD}=10V$				-
			$V_{DD}=15V$				-
maximum clock frequency	f_{max}	input RS; see Figure 4	$V_{DD}=5V$	3.5	7	-	MHz
			$V_{DD}=10V$	8	16	-	MHz
			$V_{DD}=15V$	12	24	-	MHz
input capacitance	C_I	any input	-	5	7.5	pF	

Note: t_t is the same as t_{TLH} and t_{THL} .



3.3.5、AC Characteristics 2

(RC Operation, $T_{amb}=25^{\circ}C$, $V_{SS}=0V$, $t_r, t_f=20ns$, $C_L=50pF$, $R_L=200k\Omega$, unless otherwise specified.)

Parameter	Symbol	Conditions	Min.	Typ.	Max.	Unit	
variation of frequency (unit to unit)	-	$C_X=200pF$ $R_S=560k\Omega$ $R_X=50k\Omega$	$V_{DD}=5V$	-	$23\pm 10\%$	-	kHz
			$V_{DD}=10V$	-	$24\pm 10\%$	-	kHz
			$V_{DD}=15V$	-	$25\pm 10\%$	-	kHz
variation of frequency with voltage change (same unit)	-	$C_X=200pF$ $R_S=560k\Omega$ $R_X=50k\Omega$	5V to 10V	-	1.5	-	kHz
			10V to 15V	-	0.5	-	kHz
R_X max	-	$C_X=10\mu F, V_{DD}=5V$	-	-	20	M Ω	
		$C_X=50\mu F, V_{DD}=10V$	-	-	20	M Ω	
		$C_X=10\mu F, V_{DD}=15V$	-	-	10	M Ω	
C_X max	-	$R_X=500k\Omega, V_{DD}=5V$	-	-	1000	μF	
		$R_X=300k\Omega, V_{DD}=10V$	-	-	50	μF	
		$R_X=300k\Omega, V_{DD}=15V$	-	-	50	μF	
Maximum oscillator frequency	-	$C_X=15pF$ $R_S=30k\Omega$ $R_X=15k\Omega$	$V_{DD}=10V$	530	650	810	kHz
			$V_{DD}=15V$	690	800	940	kHz
drive current at CEXT (for oscillator design)	I_{OL}	$V_O=0.4V, V_{DD}=5V$	0.16	0.35	-	mA	
		$V_O=0.5V, V_{DD}=10V$	0.42	0.8	-	mA	
		$V_O=1.5V, V_{DD}=15V$	1	2	-	mA	
	I_{OH}	$V_O=4.6V, V_{DD}=5V$	-0.16	-0.35	-	mA	
		$V_O=9.5V, V_{DD}=10V$	-0.42	-0.8	-	mA	
		$V_O=13.5V, V_{DD}=15V$	-1	-2	-	mA	

Note: RC oscillator applications are not recommended at supply voltages below 7V for $R_X<50k\Omega$.



4、Testing Circuit

4.1、AC Testing Circuit

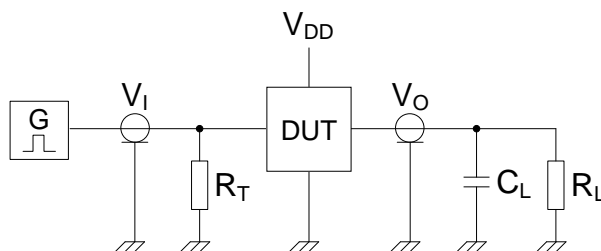


Figure 3. Test circuit for switching times

Definitions for test circuit:

DUT=Device Under Test.

C_L =Load capacitance including jig and probe capacitance.

R_T =Termination resistance should be equal to the output impedance Z_o of the pulse generator.

R_L = Load resistance.

4.2、AC Testing Waveforms

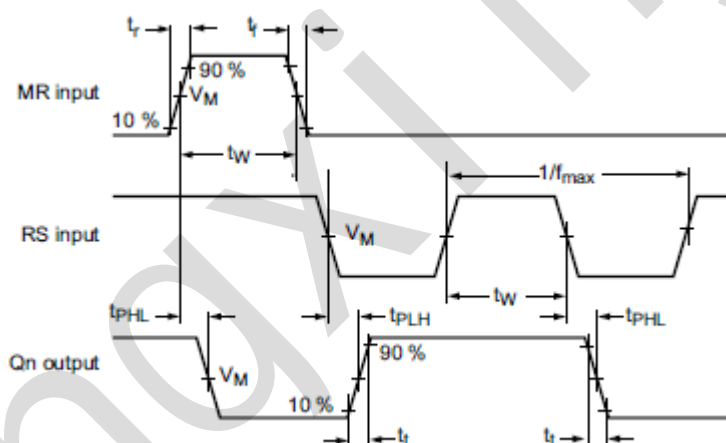


Figure 4. Waveforms showing propagation delays

4.3、Measurement Points

Supply voltage	Input	Output
V_{DD}	V_M	V_M
5V to 15V	$0.5 \times V_{DD}$	$0.5 \times V_{DD}$

4.4、Test Data

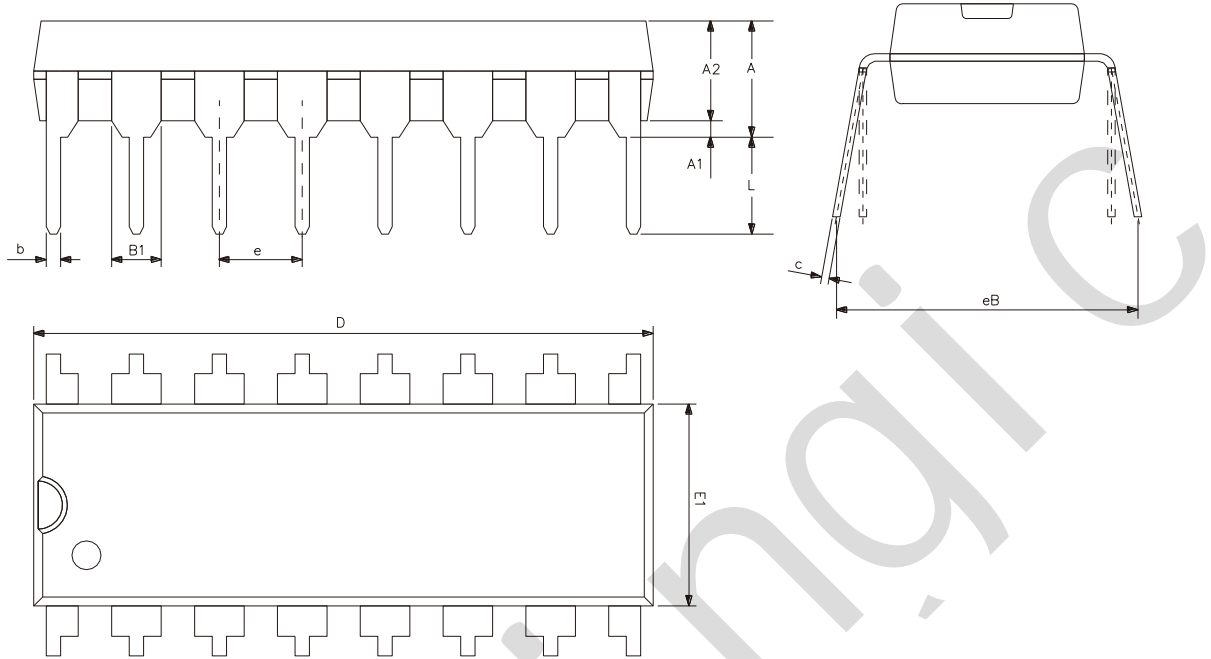
Supply voltage	Input		Load
V_{DD}	V_I	t_r, t_f	C_L
5V to 15V	V_{SS} or V_{DD}	$\leq 20\text{ns}$	50pF



灵星芯微 专注经营

5、Package Information

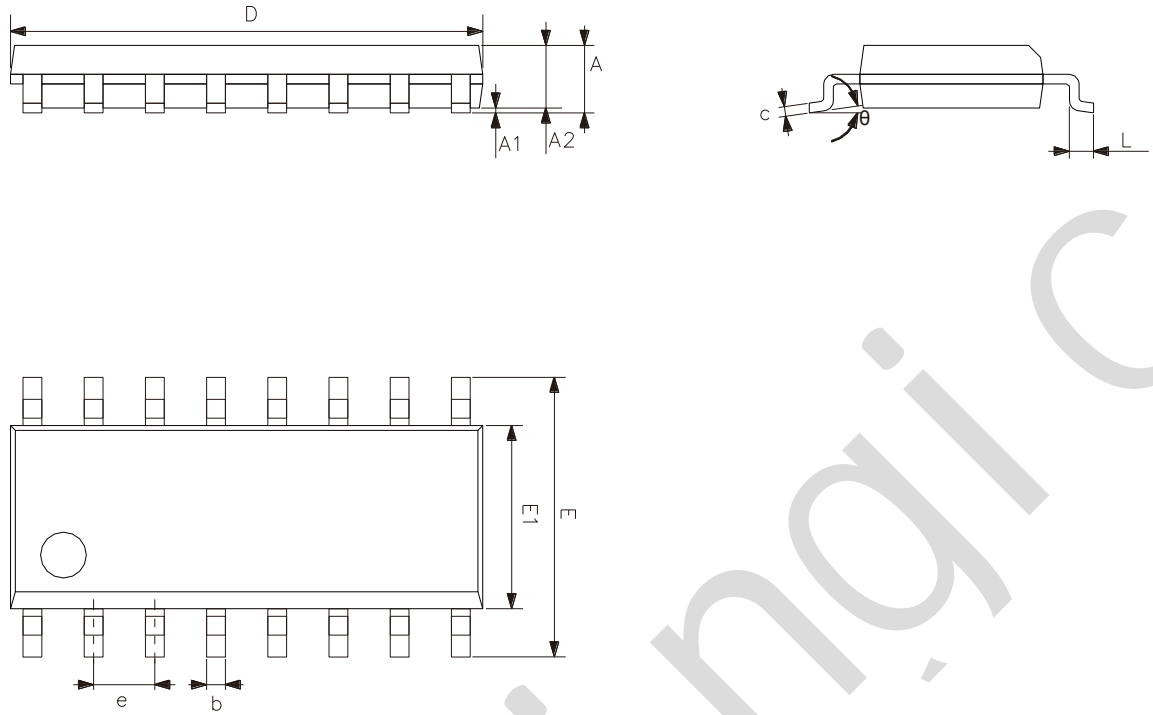
5.1、DIP16



Symbol	Dimensions (mm)	
	Min.	Max.
A2	3.20	3.60
A1	0.51	-
A	3.60	5.33
L	3.00	3.60
b	0.36	0.56
B1	1.52	
D	18.80	19.94
E1	6.20	6.60
e	2.54	
c	0.20	0.36
eB	7.62	9.30



5.2、SOP16

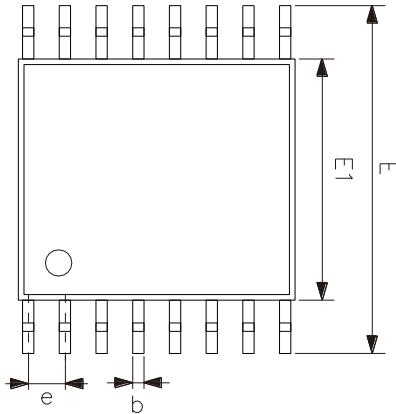
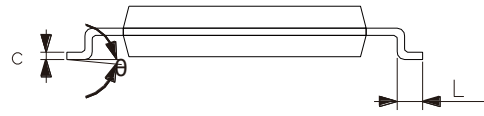
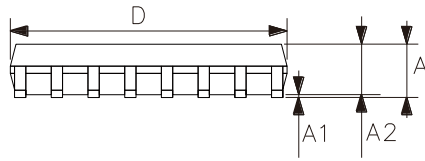


Symbol	Dimensions (mm)	
	Min.	Max.
A	1.35	1.80
A1	0.10	0.25
A2	1.25	1.55
b	0.33	0.51
c	0.19	0.25
D	9.50	10.10
E	5.80	6.30
E1	3.70	4.10
e	1.27	
L	0.35	0.89
θ	0°	8°



灵星芯微 专注经营

5.3、TSSOP16



Symbol	Dimensions (mm)	
	Min.	Max.
A	-	1.20
A1	0.05	0.15
A2	0.80	1.05
b	0.19	0.30
c	0.09	0.20
D	4.90	5.10
E1	4.30	4.50
E	6.20	6.60
e	0.65	
L	0.45	0.75
θ	0°	8°



6、Statements And Notes

6.1、The name and content of Hazardous substances or Elements in the product

Part name	Hazardous substances or Elements									
	Lead and lead compounds	Mercury and mercury compounds	Cadmium and cadmium compounds	Hexavalent chromium compounds	Polybrominated biphenyls	Polybrominated biphenyl ethers	Dibutyl phthalate	Butylbenzyl phthalate	Di-2-ethylhexyl phthalate	Diisobutyl phthalate
Lead frame	○	○	○	○	○	○	○	○	○	○
Plastic resin	○	○	○	○	○	○	○	○	○	○
Chip	○	○	○	○	○	○	○	○	○	○
The lead	○	○	○	○	○	○	○	○	○	○
Plastic sheet installed	○	○	○	○	○	○	○	○	○	○
explanation	○: Indicates that the content of hazardous substances or elements in the detection limit of the following the SJ/T11363-2006 standard. ×: Indicates that the content of hazardous substances or elements exceeding the SJ/T11363-2006 Standard limit requirements.									