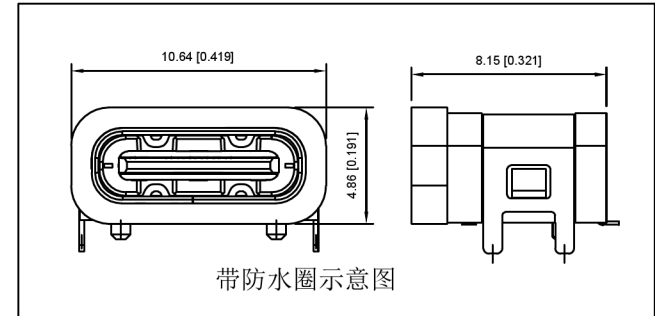
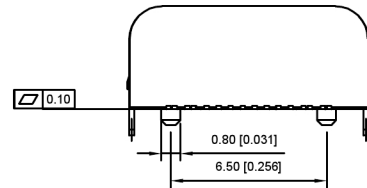
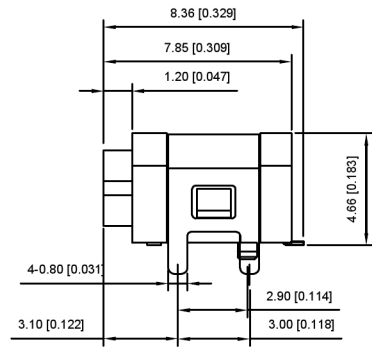
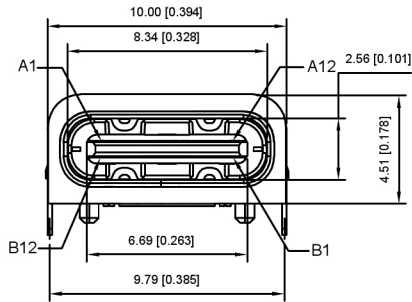


RECOMMENDED P.C.B. LAYOUT
TOLERANCE UNSPECIFIED ±0.05mm

NOTES 备注:

SPECIFICATION 规格:

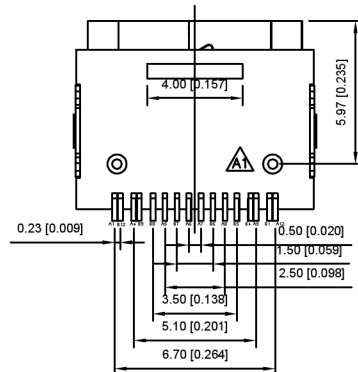
1. CURRENT RATING 额定电流: 3.0A MAX
2. VOLTAGE 电压: 100 VAC
3. TEMPERATURE RANGE 工作温度范围: -30 °C ~ 85 °C
4. CONTACT RESISTANCE 接触电阻: 40 MILLIONHM MAX
5. INSULATION RESISTANCE 绝缘电阻: 100 MEGOHMS MIN.
6. INSERTION FORCE 插入力: 5N~20N
7. UNMATING FORCE 拔出力: 8N~20N
8. DURABILITY 耐用性: 10,000 CYCLES
9. WATER PROOFNESS 防水: THIS PRODUCT IS BASED ON IPX7.



带防水圈示意图

6	防水圈	硅胶	BLACK	1PCS
5	SHELL	STAINLESS STEEL	NI Plated	1PCS
4	SHIELDING PLATE	STAINLESS STEEL	NI Plated	1PCS
3	CONTACT	COPPER ALLOY	TIN/Au/NI Plated	1SET
2	SHELL HOUSING	HIGH TEMPERATURE PLASTIC	BLACK	1PCS
1	HOUSING	HIGH TEMPERATURE PLASTIC	BLACK	1PCS
NO.	DESCRIPTION	MATERIAL	REMARKS	QTY

A1	GND	B12	GND
A4	VBUS	B9	VBUS
A5	CC1	B8	SBU2
A6	DP1	B7	DN2
A7	DN1	B6	DP2
A8	SBU1	B5	CC2
A9	VBUS	B4	VBUS
A12	GND	B1	GND
PIN	SIGNAL NAME	PIN	SIGNAL NAME

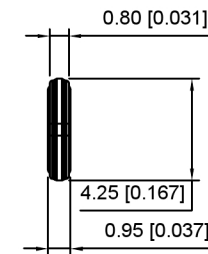
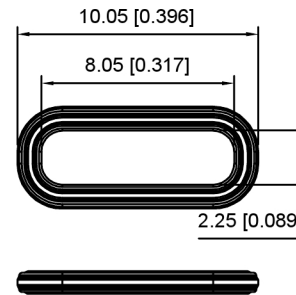


U262-16XN-4BFC10

- 1: Au 0.8U"
- 2: Au 5U"
- 3: Au 10U"
- 4: Au 3U"

- 1: PBT
- 2: PA6T
- 3: PA9T
- 4: LCP

B: Black
W: White



TABLE; ⊗

料号	Color 颜色
XKQ-442-DR	Red 红色

广东星坤科技股份有限公司

Δx	日期
Δx	日期
Δx	日期
MARK	DESCRIPTION

文件工程章

REVISIONS	DATE	REVISED	APPROVED	UNSPECIFIED TOLERANCES
ANGLAR				±5°
L ≤ 4				±0.2
4 < L ≤ 16				±0.3
16 < L ≤ 63				±0.4
L > 63				±0.5



DSND	SCALE: N/A	MODEL TYPE: Type-C 3.1
DWN	VIEW: ⊗	PART NO.: XKQ-442-DR
CHKD	UNIT: mm/in	DWG NO.: U262-16XN-4BFC10
APPD	SIZE: A4	WEIGHT
		SHEET 1/1
		REVISIO A0