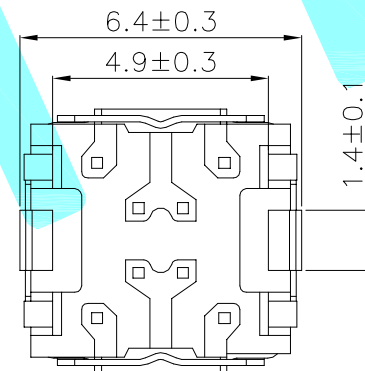
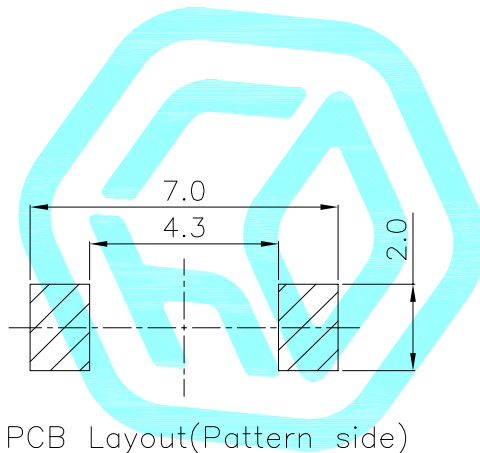


- Typical Specifications :
1. Rating : DC 12V 50mA
 2. Insulation resistance: $\geq 100M\Omega$
 3. Withstand voltage: AC 250V/1min
 4. Forcel: $350\pm 80gf$
 5. Life: 300,000 Cycles Min.
 6. Ingress protection: IP67



NO.1-NO.2	
PART NO	NOTE
01~99	SERIAL NUMBER

⑥	Internal buttons	—	1	PPA	Black	—
⑤	Terminal	—	4	Brass(0.3t)	Plating silver	—
④	Contact	—	2	F.Ag/SUS	—	—
③	Base	—	1	LCP	Black	—
②	Cover	—	1	SUS	—	—
①	Keystoke	—	1	silica gel	—	—
ITEM	PART NAME	TER'NO.	QTY.	MATERIAL	FINISHING	REMARK

APPROVALS			DATE			
DRAWN	LIUCAN	2023.11.13		TITLE:		
CHECKED				PART NO.	K2-6615UP-G5DW-□□	
APPROVALS				UNIT: mm	SCALE: 1:1	PROJ:
TOLERANCES ARE		30~以上	±0.30	ANGLE	DRAWING NO.	SHEET 1 OF 1
		10~30	±0.20			
		5~10	±0.15	±2'		
		~ 5	±0.10			

—	A	—	NEW	—	—	—
ECN NO.	REV.	DATE.	DESCRIPTION.	CHANGE.	CHECK.	APPRO.