

RoHS

REV	ECN NO.	DESCRIPTION	DESIGN	APPROVAL	DATE
A1	NEW	更换图框			2024.04.17

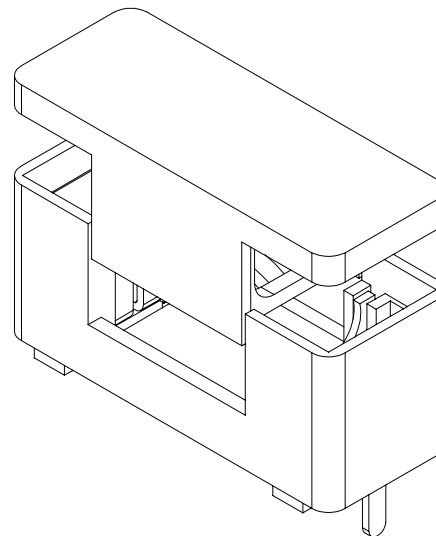
TECHNICAL CHARACTERISTICS

MATERIAL
 INSULATOR: PA6/66
 FLAMMABILITY RATING: UL94V0
 COLOR: GREEN
 CONTACT / PLATING: COPPER ALLOY / Ni+Sn

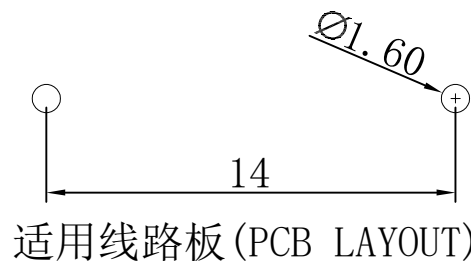
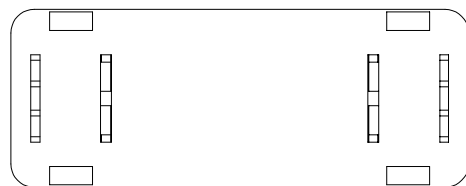
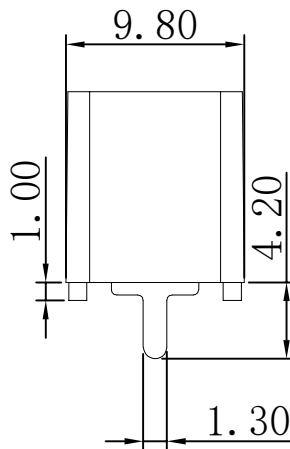
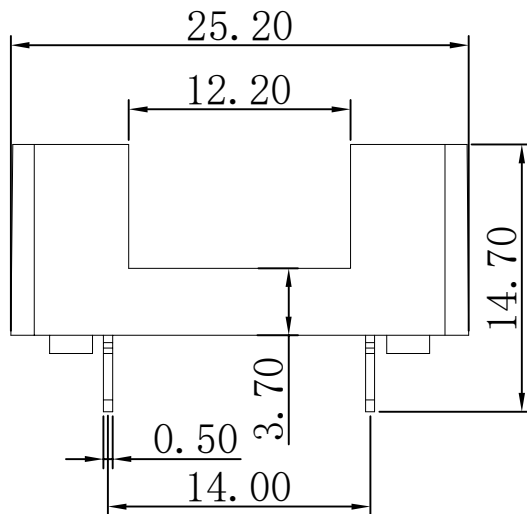
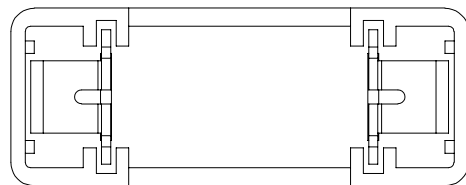
ENVIRONMENTAL
 OPERATING TEMPERATURE: -30°C UP TO +120°C
 COMPLIANCE: LEAD FREE AND ROHS

ELECTRICAL	UL	VDE
CURRENT RATING:	15A	6.3A
WORKING VOLTAGE:	250VAC	250VAC
WITHSTANDING VOLTAGE:	1.5KV	1.5KV
RATED POWER ACCEPTANCE:	---	1.6W
PROTECTION CLASS:	I o II	
CONTACT RESISTANCE:	5/10 mΩ MAX	

MECHANICAL
 FUSE-LINK: 5x20 mm
 PROTECTION RATE: IP00
 SHOCKSAFE CATEGORY: PC1



3D REFER TO



X.±0.50	X.°±	PART NO: PTF-76	XFCN 兴飞连接器						
.XX±0.25	.XX°±					TITLE: 保险管座盒含盖 5x20 脚距14mm 绿色	0769-82001899		
.XX±0.15	.XX°±						www.xfconn.com		
.XXX±0.10	.XXX°±						DWG NO: /		
UNITS:	mm								
THESE DRAWINGS AND SPECIFICATIONS ARE THE PROPERTY OF XFCN AND SHALL NOT BE REPRODUCED, COPIED OR CUED IN ANY MANNER WITHOUT THE PRIOR WRITTEN CONSENT OF XFCN		APPD	VIEW						
		CHKD	SCALE	SHEET	REV				
		DRAW	Wang	1:1	A1				
		DATE	2024.04.25	NONE					