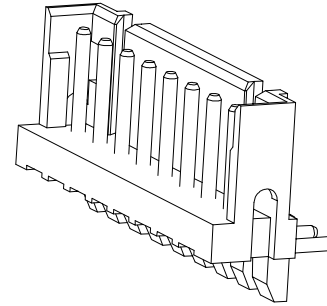
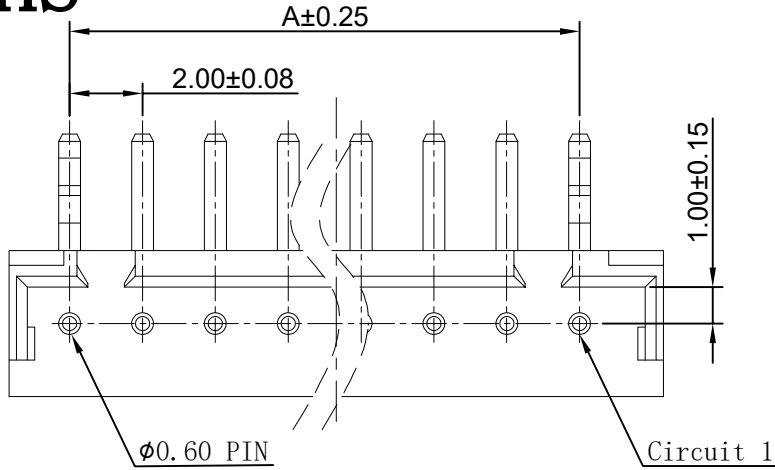


RoHS

REV	ECN NO.	DESCRIPTION	DESIGN	APPROVAL	DATE
A1	NEW	更换图框			2024.05.24



SPECIFICATIONS

1. Current rating: 4 A
2. Temperature range: $-25^{\circ}\text{C} \sim +85^{\circ}\text{C}$
3. Insulation resistance: 1000M Ω Min.
4. Withstanding voltage: 125V AC/ minute.
5. Contact resistance: 10m Ω Max.

Material:

Insulator Material: Nylon66.UL94V-0

Contact Material: Brass

Contact Plating: Contact Area Plating: Plated Tin or Plated GoldMate with XFCN P2056 series Housing

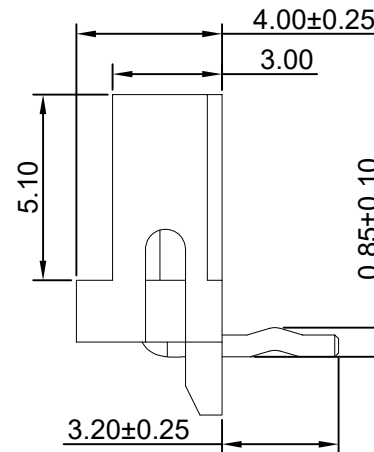
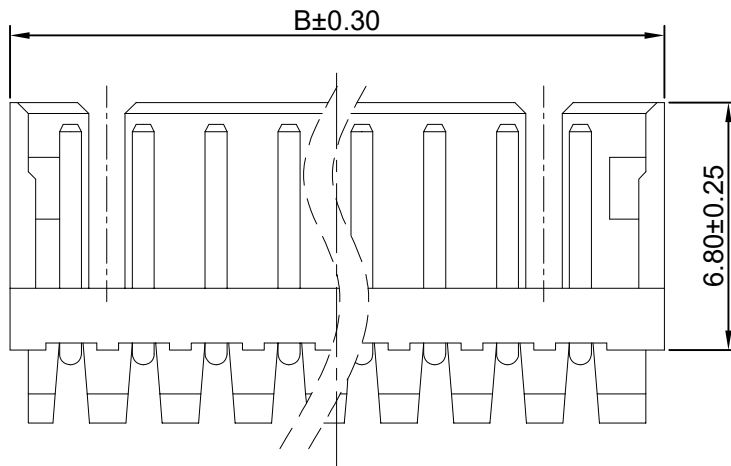
Ordering Code:

M2056R-XXP

1 2

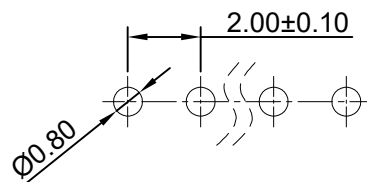
1.序列号

2.Pin位数: 02-15P



No. of PIN/ROW	Dimension	
	A	B
02	2.00	5.96
03	4.00	7.96
04	6.00	9.96
05	8.00	11.96
06	10.00	13.96
07	12.00	15.96
08	14.00	17.96
09	16.00	19.96
10	18.00	21.96
11	20.00	23.96
12	22.00	25.96
13	24.00	27.96
14	26.00	29.96
15	28.00	31.96

Recommended P.C.B Layout (Top Side)
P.C.B Thickness=1.20mm (Tolerance=±0.05)



X.±0.50	X.°±	PART NO: M2056R-XXP	XFCN 兴飞连接器				
.X±0.25	.X°±						
.XX±0.15	.XX°±	TITLE: 2.00mm Crimp Style Connectors	0769-82001899				
.XXX±0.10	.XXX°±		www.xfconn.com				
UNITS:	mm		DWG NO:				
THESE DRAWINGS AND SPECIFICATIONS ARE THE PROPERTY OF XFCN AND SHALL NOT BE REPRODUCED, COPIED OR CUED IN ANY MANNER WITHOUT THE PRIOR WRITTEN CONSENT OF XFCN		APPD	Chen ZhiQiang		VIEW	⊕	
		CHKD	Liu Wei				
		DRAW	Chen HongJiang		SCALE	SHEET	REV
		DATE	2024.06.12		NONE	1/1	A1