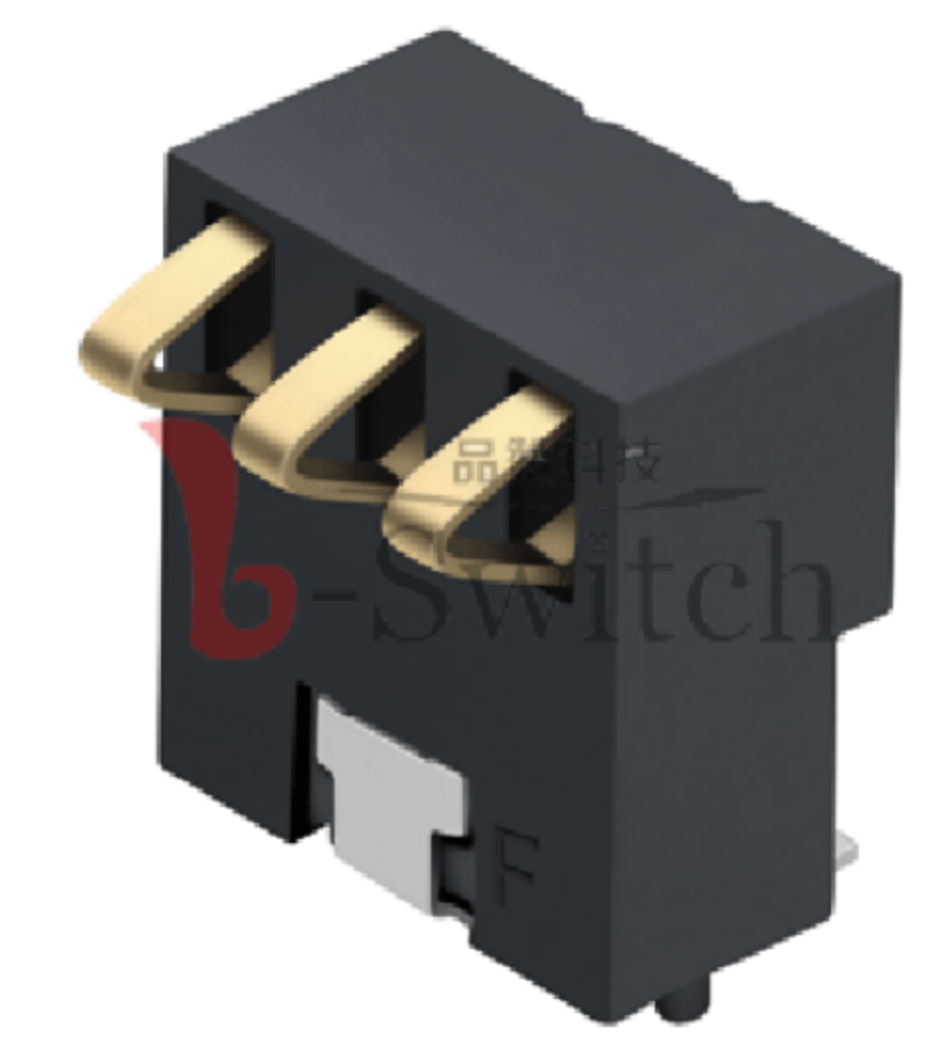
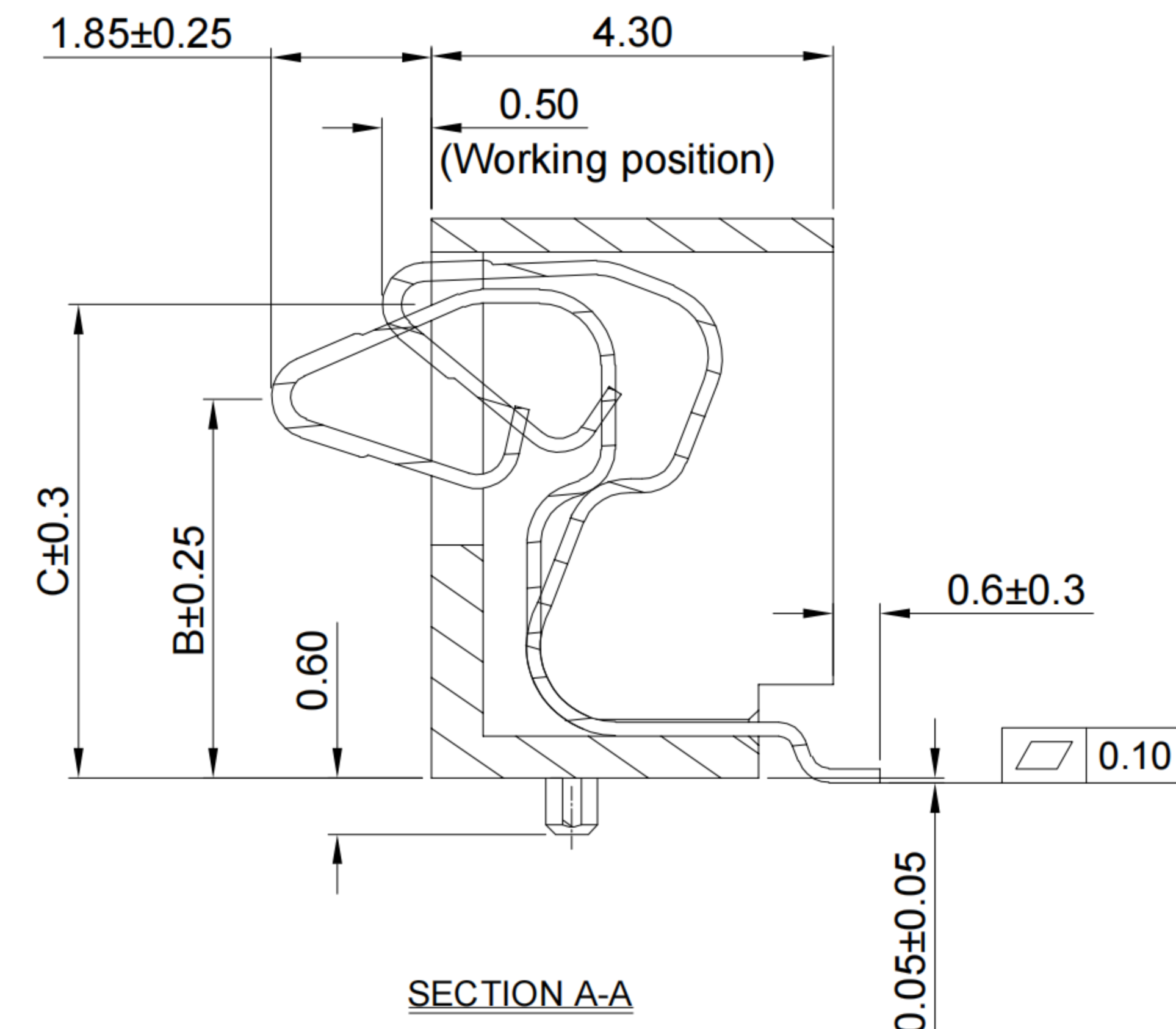
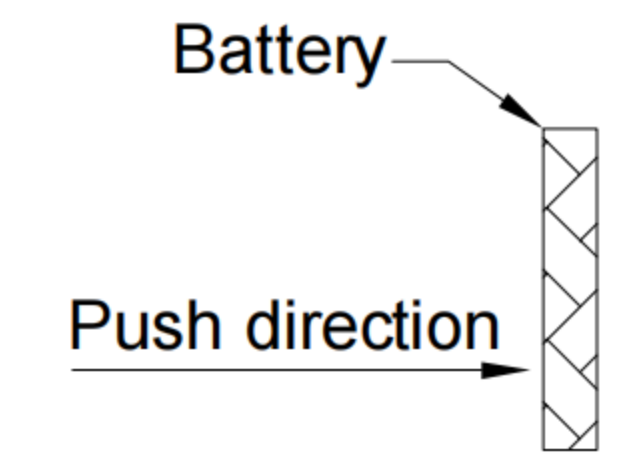
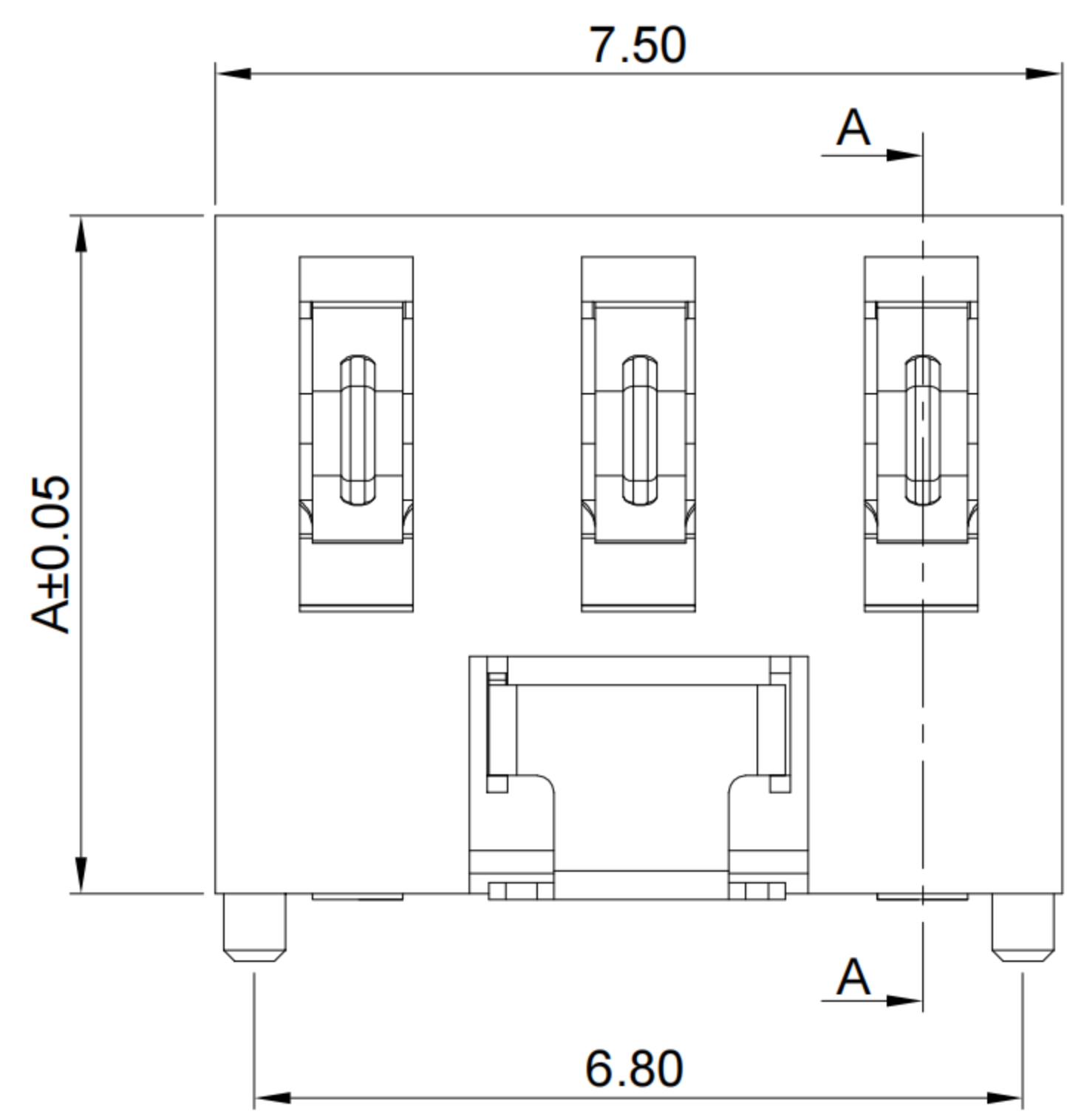
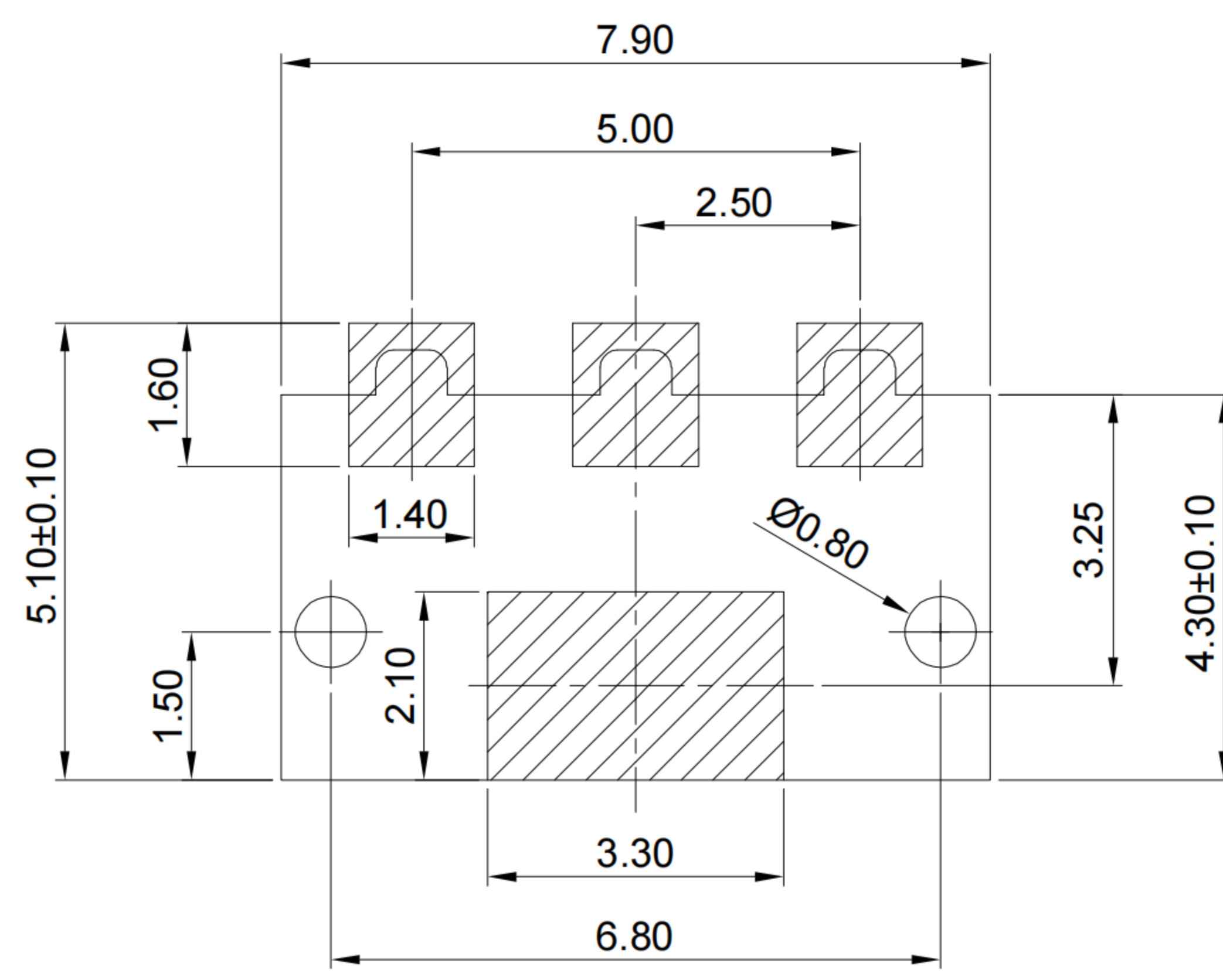
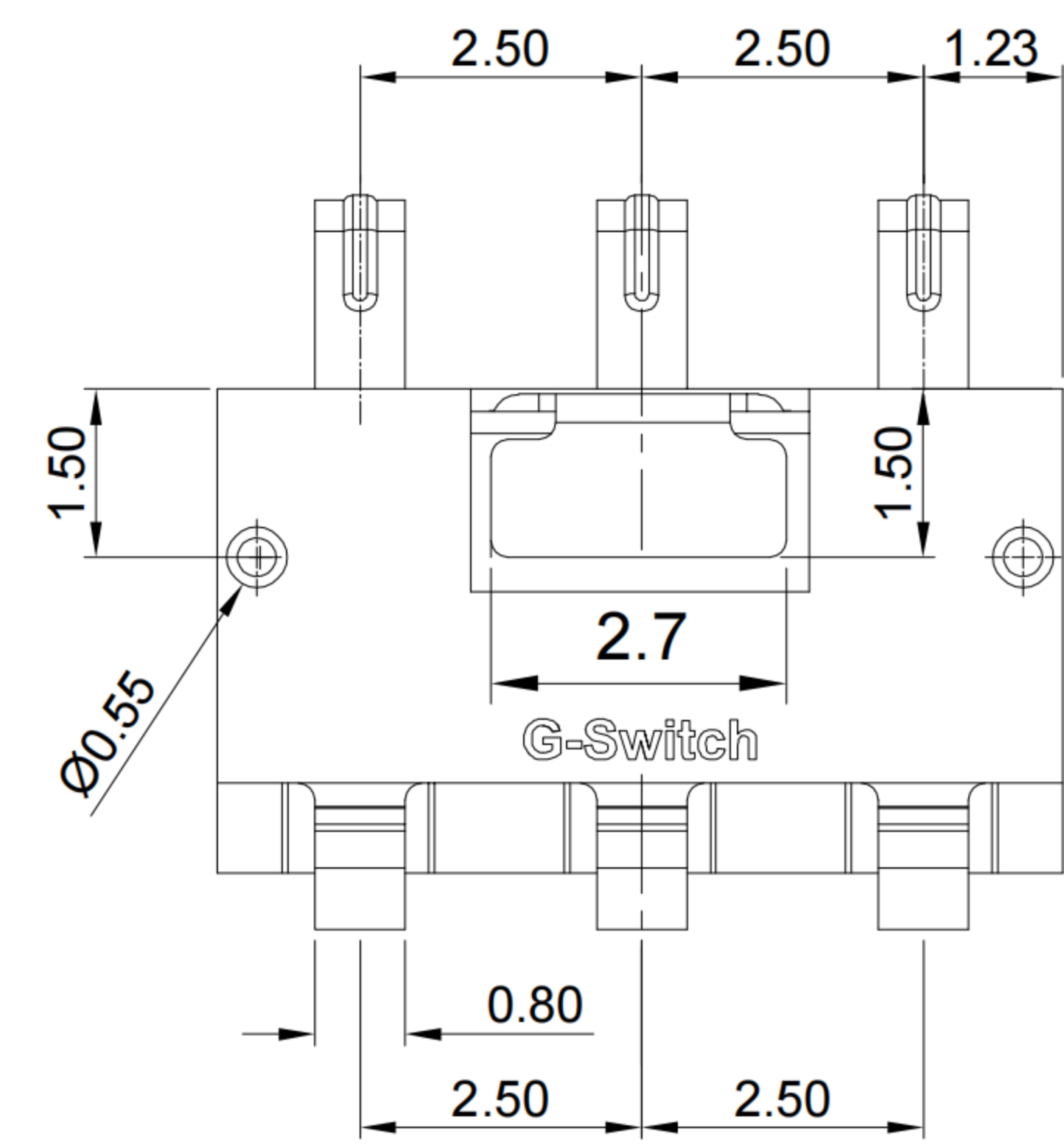


1
2
3
4
5



GT-BT P 250 03 - XXXX A - 002A

G-Switch
Series
 BT: Battery
Type
 P: Plug
Pitch
 250=2.50
Pin Q' PY
 03=3Pin
Serial code
Detail
 A:With olumn
 B:No olumn
Height
 0540=5.40
 0600=6.00
 0650=6.50
 0700=7.00
 0750=7.50
 0800=8.00



RECOMMENDED PCB LAYOUT
 TOLERANCE:±0.05

G-Switch Specification:
 1.Current rating: 2.0A
 2.Rated Voltage: 12V DC
 3.Insulation resistance: 500MΩ min
 4.Contact resistance: 30mΩ max
 5.Dielectric strength: 500V RMS
 6.Durability: 3000 cycles
 7.Operating temperature range: -40°C ~ +85°C

2	CONTACT	PHOSPHOR BRONZE	Au ON CONTACT AREA
1	HOUSING	LCP,94V-0	BLACK
NO.	PART NAME	MATERIAL	REMARK

DIMENSIONS LIST

Pin No.	A	B	C
3P	5.4	3.8	4.6
	6.0	4.4	5.2
	6.5	4.9	5.7
	7.0	5.4	6.2
	7.5	5.9	6.7
	8.0	6.4	7.2

SCALE: 1:1 UNIT: mm
 SIZE: A4

Unless otherwise
 General Tolerance:
 X ±0.35
 X.x ±0.25
 X.xx ±0.15
 X° ±4°
 X.x° ±3°

Title: Horizontal Pitch2.5 3Pin Battery Conn
 SMT CH=B 7.50×4.30×H(A)mm

Molde Code: GT-BTP25003-XXXXA-002A

DRAWN	CHECKED	APPROVED	DATE
Jiang	Xia	Chen	2023.12.28



REV: A0 SHEET: 1/1

