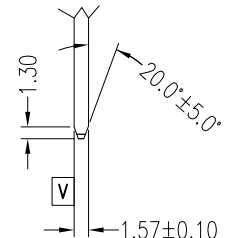
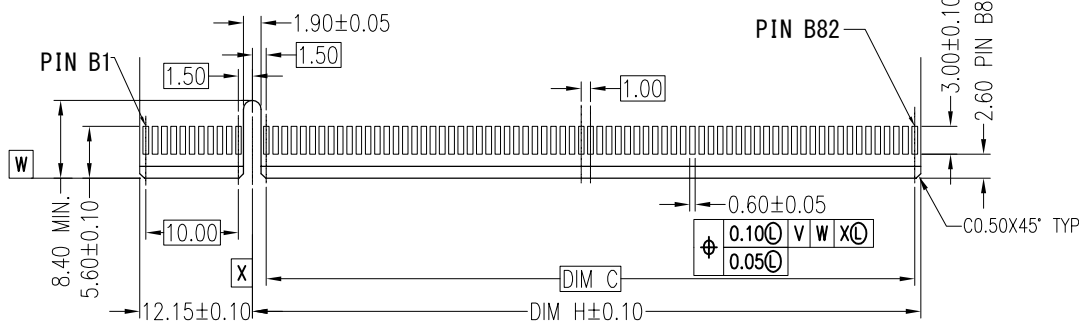


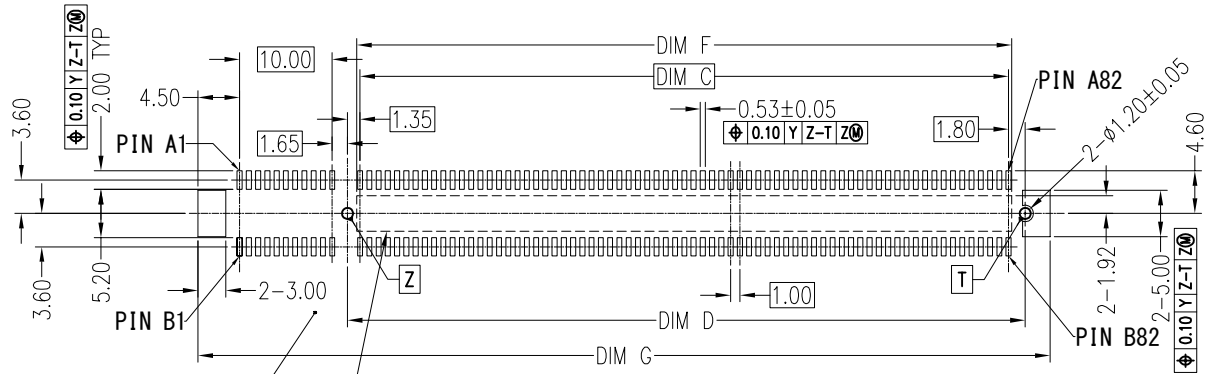
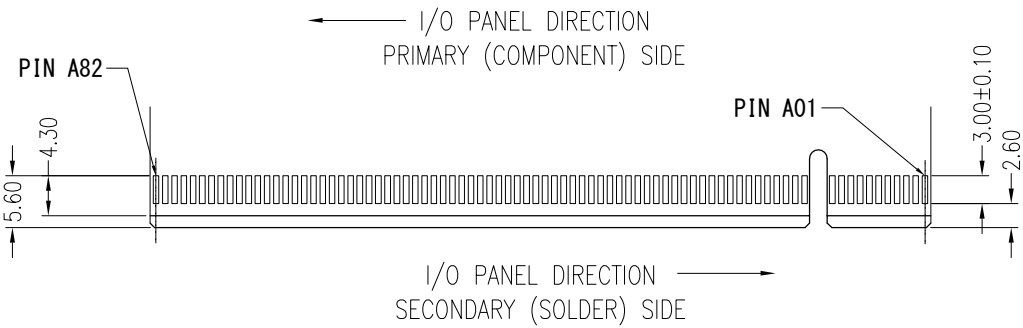
				TOLERANCE	
				LINEAR	ANGLES
				X ± 0.40	X° ± 5°
				.X ± 0.30	.X° ± 3°
				.XX ± 0.20	.XX° ± 2°
				.XXX ± 0.10	.XXX° ± 1°
REV	ECN NO.	NAME	DATE		

<b>UMax conn</b> 东莞市友贸实业有限公司 DONGGUAN UMAX ENTERPRISE LIMITED		APPD: Jason	MAT'L:
CHKD: Schumi	FINISH:	DRWN: Lei Songping	Q' TY:

TITLE: PCI-E CARD EDGE GEN5 SMT		PART NO. 21650-XXXXXX			
DWG NO. C-21650		UNITS	SCALE	SHEET	REV
		MM	1:1	1 OF 3	0



NOTES:  
CHAMFER EDGE MUST BE FREE OF CUTTING BURRS



DIMENSIONS								
POSITION	DIM A	DIM B	DIM C	DIM D	DIM E	DIM F	DIM G	DIM H
98	56.00	38.65	37.00	40.15	58	37.70	59	39.15
164	89.00	71.65	70.00	73.15	91	70.70	92	72.15

RECOMMENDED PCB LAYOUT  
TOLERANCE ±0.05

REV	ECN NO.	NAME	DATE

TOLERANCE	
LINEAR	ANGLES
X. ±0.40	X° ± 5°
.X ±0.30	.X° ± 3°
.XX ±0.20	.XX° ± 2°
.XXX ±0.10	.XXX° ± 1°

**UMax conn** 东莞市友贸实业有限公司  
DONGGUAN UMAX ENTERPRISE LIMITED

APPD: Jason    MAT'L:  
CHKD: Schumi    FINISH:  
DRWN: Lei Songping    Q' TY:

TITLE: PCI-E CARD EDGE GEN5 SMT

PART NO. 21650-XXXXXX

DWG NO. C-21650

UNITS	SCALE	SHEET	REV
MM	1 : 1	2 OF 3	0

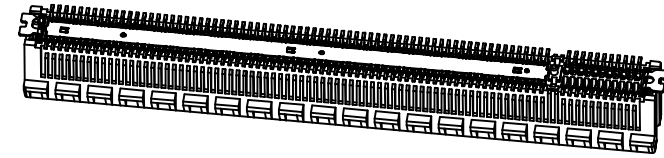
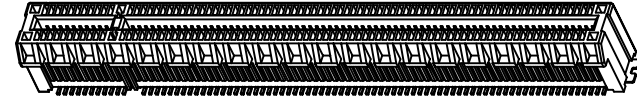
NOTE:

1.MATERIAL:

HOUSING: THERMOPLASTIC, HIGH TEMP, UL94V-0, BLACK.  
 TERMINAL: COPPER ALLOY.  
 GND PIN: SUS304 1/2H.  
 STATOR: SUS304 1/2H.

2.FINISH:

TERMINAL:  
 CONTACT AREA: SELECTIVE GOLD PLATING.  
 SOLDERING AREA: TIM PITING 100u"MIN THICKNESS  
 UNDER PLATING: NICKEL PLATING 50u"MIN THICKNESS.  
 GND PIN: NO PLATING.  
 STATOR:  
 MATTE TIN PLATING 100u"MIN THICKNESS.OVERALL  
 UNDER PLATING: NICKEL PLATING 50u"MIN THICKNESS.



PART NO.

**21650 - X 1 X X X X**

Ridge Options  
 0: Non Ridge  
 1: With Ridge

HSG Color  
 1: Black

Post Options  
 0: With Post  
 1: Without Post

Contact Plating  
 0: 30u" Gold  
 1: 15u" Gold  
 2: Gold Flash

Packing Options  
 T-Tray Packaging  
 C-Tray Packaging With Cap

No. of Pins  
 2: 98P  
 3: 164P

TOLERANCE	
LINEAR	ANGLES
X. ±0.40	X° ± 5°
.X ±0.30	.X° ± 3°
.XX ±0.20	.XX° ± 2°
.XXX ±0.10	.XXX° ± 1°

**UMax conn** 东莞市友贸实业有限公司  
 DONGGUAN UMAX ENTERPRISE LIMITED

TITLE: PCI-E CARD EDGE GEN5 SMT

PART NO. 21650-XXXXXX

DWG NO. C-21650

APPD: Jason MAT'L:  
 CHKD: Schumi FINISH:  
 DRWN: Lei Songping Q' TY:

UNITS	SCALE	SHEET	REV

REV	ECN NO.	NAME	DATE
-----	---------	------	------