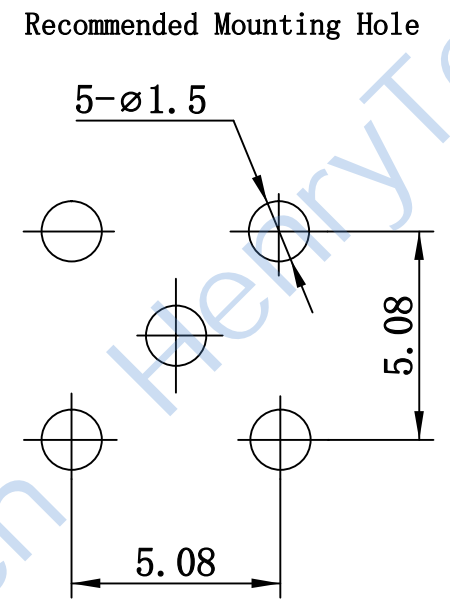
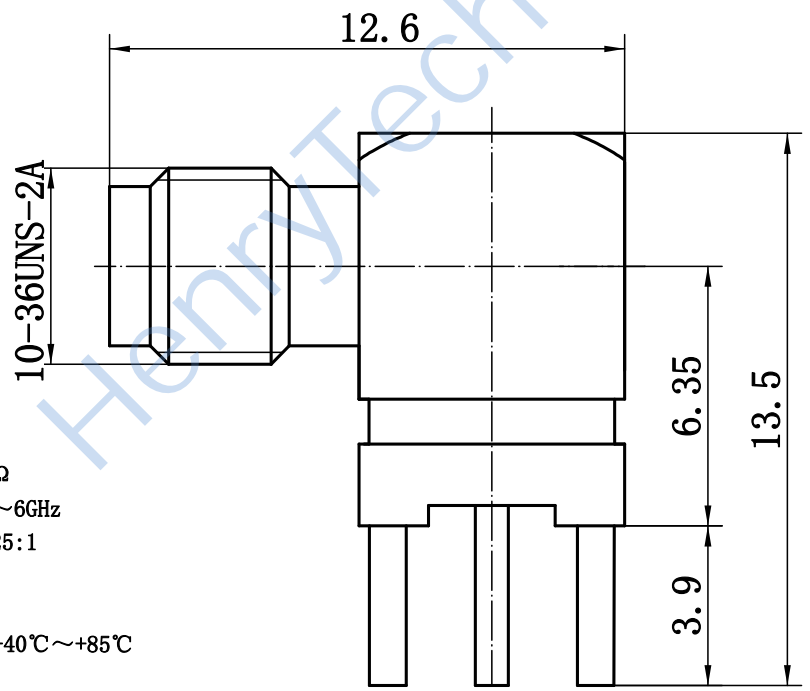



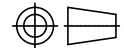
This document contains proprietary information and such information may not be disclosed to others for any purposes, not used for sales/marketing/procurement purposes without written permission

REV	DESCRIPTION OF REVISION	ECN NO.	BY	DATE	APPROVED
A	Initial Release	—	H.wei	19/03/17	19/03/17



- 1 Electrical
  - 1.1 Impedence 50 Ω
  - 1.2 Frequency DC~6GHz
  - 1.3 VSWR 1.25:1
- 2 Environmental&Mechanical
  - 2.1 Temperature range -40℃~+85℃
  - 2.2 RoHs Compliant
  - 2.3 Durability >500 cycles
- 3 Materials&plating
  - 3.1 Body: Brass; Gold plated
  - 3.2 Insulator: Teflon
  - 3.3 Contact Pin: Beryllium-copper, Gold plated

Notes:  
 1. ALL SPECIFICATIONS ARE SUBJECT TO CHANGE NOTICE AT ANY TIME  
 2. CUSTOMER OUTLINE DRAWING FOR REFERENCE ONLY

DRAWN: H.wei 19/03/17	TITLE:				
ENGINEER: L.yu 19/03/17	RF Coaxial Connector SSMA Female R/A Conn. PCB Mount				
APPROVED: W.yi 19/03/17		 DIMENSION IN MILLIMETERS (mm)			
TOLERANCES UNLESS OTHERWISE SPECIFIED X ±0.50 X ±0.20 XX ±0.10 ANGLES ±1°	PART NO: HL-SSMA-KWHD-1	SIZE: A4	SCALE: N/A	SHEET: 1/1	REV: A