

MSKSEMI 美森科

SEMICONDUCTOR



ESD



TVS



TSS



MOV



GDT



PLED

SA8337-MS

Product specification

产品概述

SA8337-MS 是一款 DC 双向马达驱动电路,它适用玩具等类的电机驱动、自动阀门电机驱动、电磁门锁驱等。它有两个逻辑输入端子用来控制电机前进、后退及制动。该电路具有良好的抗干扰性,微小的待机电流、低的输出内阻,同时,它还具有内置二极管能释放感性负载的反向冲击电流。

SA8337-MS 的封装形式是 SOP-8,符合 ROHS 规范,引脚框架 100%无铅。


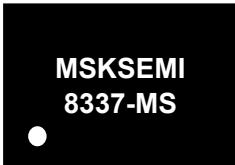
特征

- 驱动一路有刷直流电机
- 微小的待机电流,小于 1uA
- 低 RDS(ON)电阻
- 最大输出持续电流 5.0A
- 工作电压范围: 3.0V-18V
- 有紧急停止功能
- 有过热保护功能
- 有过流嵌流及短路保护功能
- 封装: SOP-8

应用

- 电子锁
- 玩具
- 无线充电
- 机器人

包装和订单信息

| 产品编号 | 封装 | | 管体标记 | 最小包装 (PCS) |
|-----------|-------|---|--|------------|
| SA8337-MS | SOP-8 |  |  | 4000 |

脚位定义

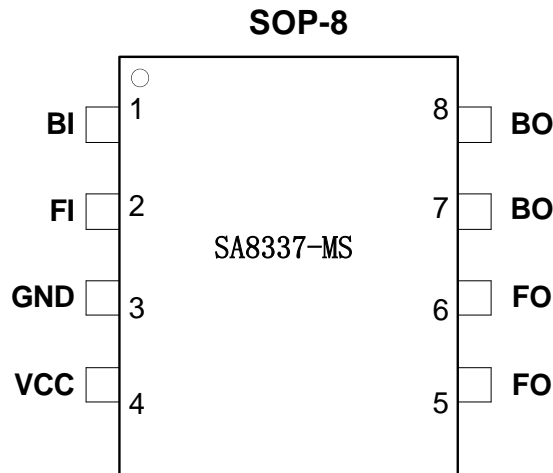


图 1. 顶视图

| 引脚名称 | 输入/输出 | 描述 | 引脚编号 |
|------|-------|------|------|
| BI | 输入 | 后退输入 | 1 |
| FI | 输入 | 前进输入 | 2 |
| GND | 电源 | 地 | 3 |
| VCC | 电源 | 功率电源 | 4 |
| FO | 输出 | 前进输出 | 5,6 |
| BO | 输出 | 后退输出 | 7,8 |

绝对最大额定值

最大工作温度范围（除非另有说明）⁽¹⁾ ⁽²⁾

| 参数 | 符号 | 数值 | 单位 |
|--------|------|----------|----|
| 电源电压 | VCC | 20 | V |
| 输出持续电流 | Iout | 9.0 | A |
| 工作温度 | Top | -25~+85 | °C |
| 储存温度 | Tstg | -55~+150 | °C |

(1) 超出绝对最大额定值的范围可能对设备造成永久性损坏。这些只是等级强调。在那些任何其他超过建议条件下的芯片功能未说明。长时间暴露在绝对最大额定值的条件下可能影响芯片的可靠性。

(2) 所有电压值都对应接地端子。

(3) 基于 40mm² 单面 PCB, FR4 PCB (1 oz.)

推荐工作条件 ($T_A=25^{\circ}\text{C}$)

| 参数 | 符号 | 最小 | 典型 | 最大 | 单位 |
|--------------------|--------------|------|----|------|-----|
| 工作电压范围 | VCC | 3 | - | 18 | V |
| 输入信号电压 INH and INL | VINH | -0.3 | - | 18 | V |
| 输出持续电流 | V_{OUT_X} | 0 | - | 5.0* | A |
| 逻辑输入频率 | F_{IN_X} | - | - | 30 | KHz |

*基于 40mm² 单面 PCB, FR4 PCB (1 oz.)

电特性参数

如无特殊规定, $T_A=25^{\circ}\text{C}$

| 参数 | 符号 | 条件 | 最小 | 典型 | 最大 | 单位 |
|-------------------------|--------------|--|-----|-----|-----|----|
| 电源参数 | | | | | | |
| 工作电压 | Vopr | | 3.0 | - | 18 | V |
| 待机电流 | I_{CCST} | VCC=12V, FI=BI=0V, no load | - | - | 1 | uA |
| 静态电流 | I_{CC} | VCC=12V, FI=BI=5V or FI=5V & BI=0V or FI=0V & BI=5V, no load | - | 1.0 | - | mA |
| PWM 电流 | I_{CCPWM1} | VCC=12V, FI=5V, BI=50KHz, no load | - | 2.5 | - | mA |
| 低压保护 | UVLO | VCC rising | 1.9 | 2.2 | 2.8 | V |
| 逻辑输入参数 | | | | | | |
| 输入高电平 | V_{INH} | | 2.2 | - | - | V |
| 输入低电平 | V_{INL} | | - | - | 0.7 | V |
| 输入高电平时电流 | I_{INH} | VCC = 12V, VIN = 5V | - | 110 | 200 | uA |
| 输入低电平时电流 | I_{INL} | VCC = 12V, VIN = 0V | - | - | 1 | uA |
| H-bridge FETs 参数 | | | | | | |
| | $R_{ds(on)}$ | $I_{LOAD}=1A, HS+LS$ | - | 58 | - | mΩ |
| | $R_{ds(on)}$ | $I_{LOAD}=3A, HS+LS$ | - | 71 | - | mΩ |
| 过热温保护参数 | | | | | | |
| 过热保护温度 | T_{OTP} | | - | 160 | - | °C |
| 恢复工作温度 | TSD_R | | - | 130 | - | °C |
| 过流保护参数 | | | | | | |
| 过流保护电流 | I_{OCP} | | - | 12 | - | A |

框图

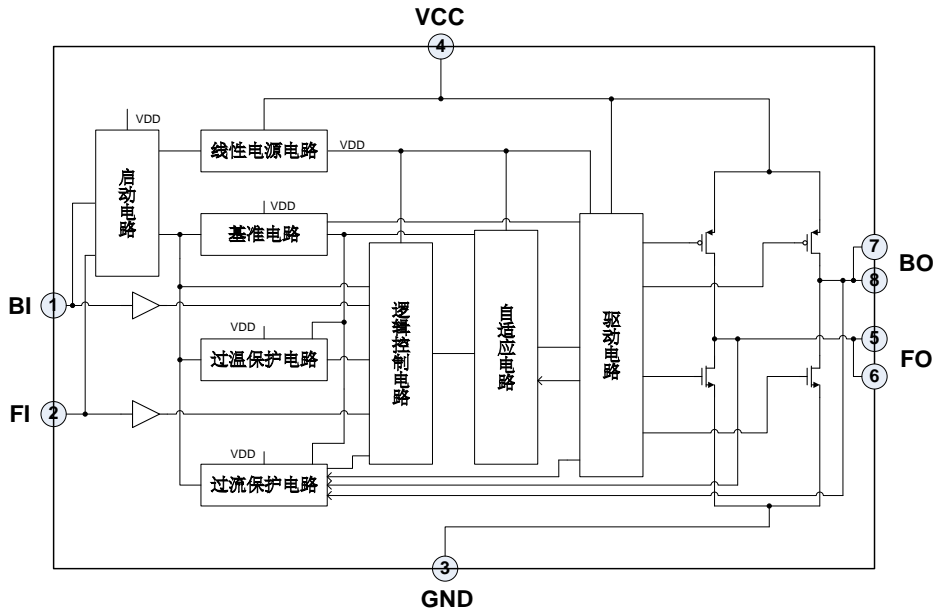


图 2. 主要模块框图

功能描述

输出真值表

| FI | BI | FO | BO | 状态 |
|----|----|------|------|----|
| H | L | H | L | 前进 |
| L | H | L | H | 后退 |
| H | H | L | L | 刹车 |
| L | L | Open | Open | 停止 |

输出时序图

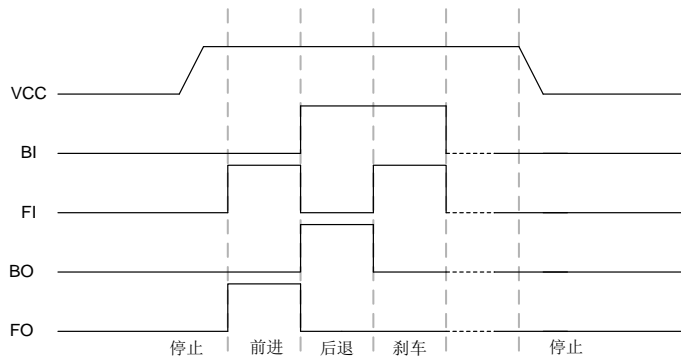


图 3. 输出时序图

应用电路

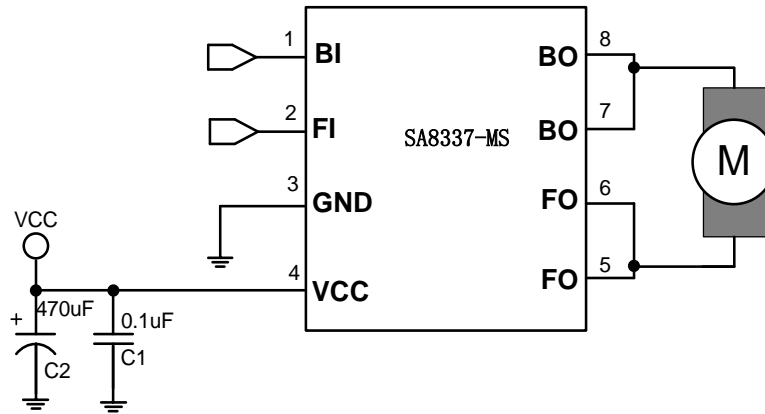


图 4. 应用原理图

应用电路说明

应用电路上的挂载组件，说明如下：

C1,C2 为 VCC 输入电容

- 1) 吸收马达向电源释放的能量，稳定电源电压，避免 IC 因突波电压过高而被直接击穿，且有滤波之功能。
- 2) 在马达启动的瞬间，能释放电流，帮助马达迅速启动。
- 3) VCC 输入电容 C2 的选择需依照 VCC 的电压稳定性及马达负载电流大小去选择电容，如果 VCC 的电压纹波较大或是马达负载电流较大，则须选择更大的电容值。
- 4) 在 PCB 配置上 C1,C2 电容需要尽量靠近 VCC。

BI,FI 输入端建议悬空，避免高温时，由于 IC 本体 P/N 接面间存在微弱漏电流，该漏电流流过下拉电阻会导致悬空引脚的输入电位由低电位变高电位，造成电路输出错误的信号。

工作模式说明

基本工作模式

a) 前进模式

前进模式定义：BI=L, FI=H, 此时 BO=L, FO=H

b) 后退模式

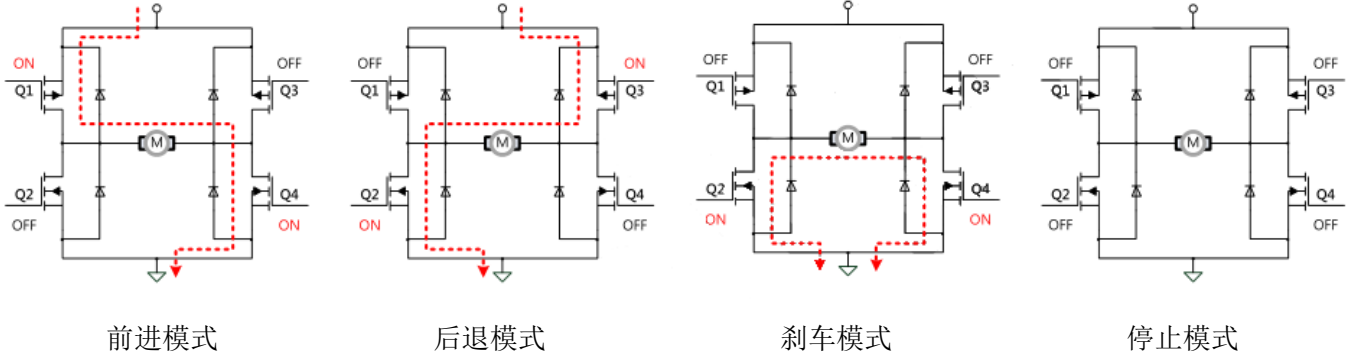
后退模式定义：BI=H, FI=L, 此时 BO=H, FO=L

c) 刹车模式

刹车模式定义：BI=H, FI=H, 此时 BO=L, FO=L

d) 停止模式

停止模式定义：BI=L, FI=L, 此时 BO=Open, FO=Open



保护机制说明

1) 使用此 IC 时，当 IC 温度超过 150°C（典型值），此是内置设计的 IC 过热保护电路会强制关闭部分驱动 MOS 晶体管，确保客户产品的安全。当 IC 温度降至 120°C（典型值）是，IC 会迅速自动恢复开始工作。

上电时序

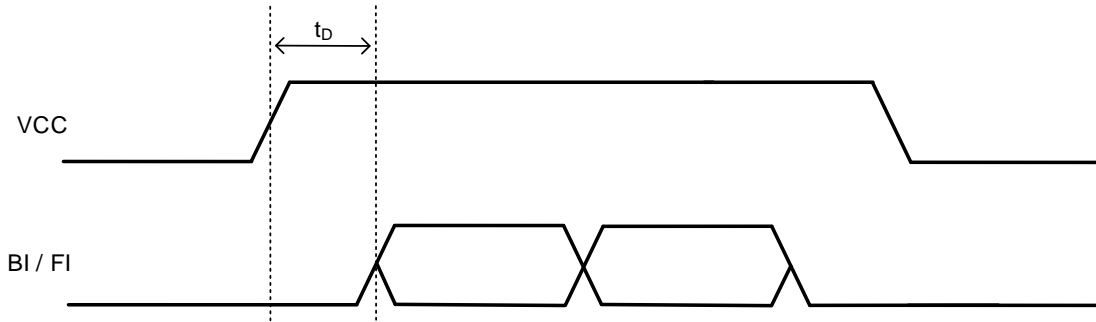


图 5. 上电时序图

如图 5，在 VCC 上电之前，BI / FI 必须保持低电平或无输入高阻状态，不能对 BI / FI 输入高电平，直到 VCC 上电并延时 3ms (t_d) 后，才能对 BI / FI 进行逻辑控制；

输入控制时序

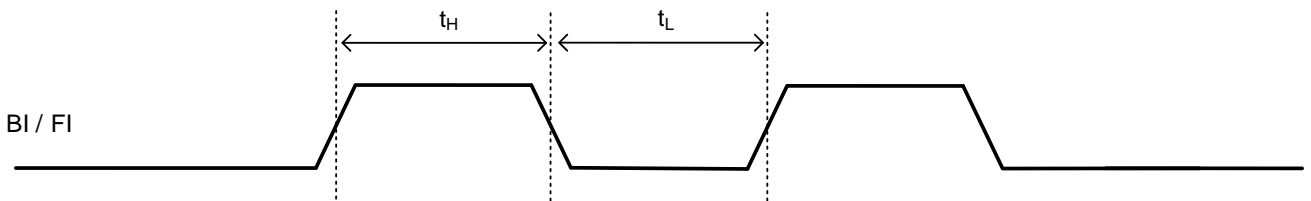
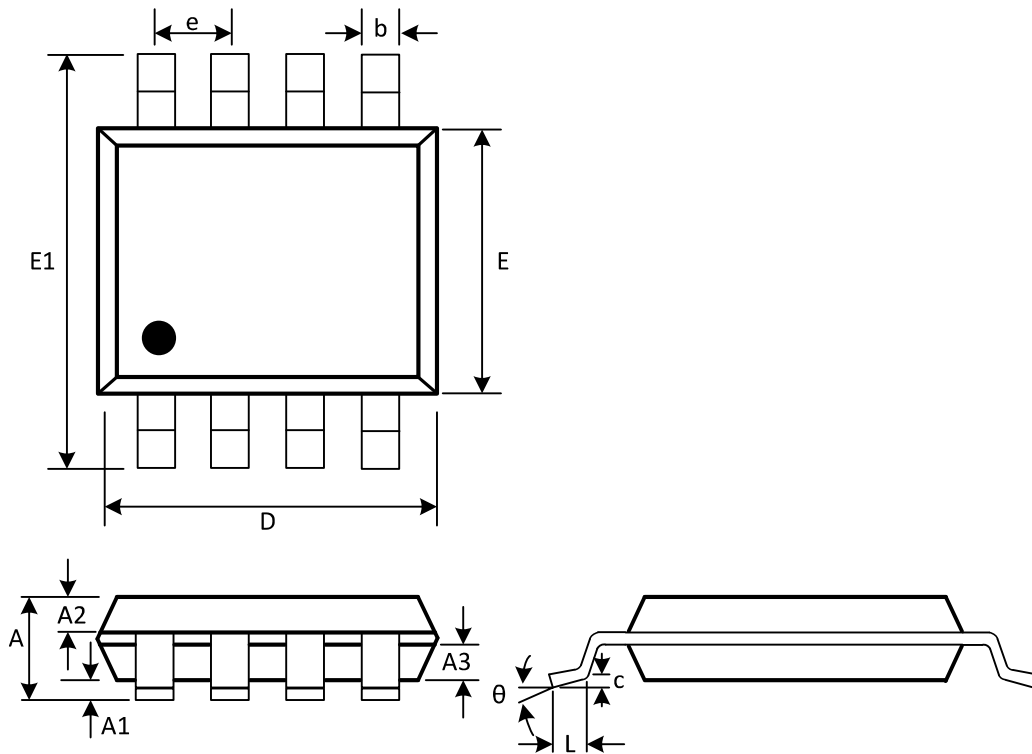


图 6. 上电时序图

如图 6，输入控制脚 BI / FI 的频率不能超过 30kHz, $t_H + t_L > 33\mu s$ 。同时需要注意， t_H 和 t_L 都不能小于 100ns

SOP-8



(Unit: mm)

| Symbol | Min | Max |
|----------|------------|-------|
| A | 1.300 | 1.600 |
| A1 | 0.050 | 0.200 |
| A2 | 0.550 | 0.650 |
| A3 | 0.550 | 0.650 |
| b | 0.356 | 0.456 |
| c | 0.203 | 0.233 |
| D | 4.800 | 5.000 |
| e | 1.270(BSC) | |
| E | 3.800 | 4.000 |
| E1 | 5.800 | 6.200 |
| L | 0.400 | 0.800 |
| θ | 0° | 8° |

Attention

- Any and all MSKSEMI Semiconductor products described or contained herein do not have specifications that can handle applications that require extremely high levels of reliability, such as life-support systems, aircraft's control systems, or other applications whose failure can be reasonably expected to result in serious physical and/or material damage. Consult with your MSKSEMI Semiconductor representative nearest you before using any MSKSEMI Semiconductor products described or contained herein in such applications.
- MSKSEMI Semiconductor assumes no responsibility for equipment failures that result from using products at values that exceed, even momentarily, rated values (such as maximum ratings, operating condition ranges, or other parameters) listed in products specifications of any and all MSKSEMI Semiconductor products described or contained herein.
- Specifications of any and all MSKSEMI Semiconductor products described or contained herein stipulate the performance, characteristics, and functions of the described products in the independent state, and are not guarantees of the performance, characteristics, and functions of the described products as mounted in the customer's products or equipment. To verify symptoms and states that cannot be evaluated in an independent device, the customer should always evaluate and test devices mounted in the customer's products or equipment.
- MSKSEMI Semiconductor strives to supply high-quality high-reliability products. However, any and all semiconductor products fail with some probability. It is possible that these probabilistic failures could give rise to accidents or events that could endanger human lives, that could give rise to smoke or fire, or that could cause damage to other property. When designing equipment, adopt safety measures so that these kinds of accidents or events cannot occur. Such measures include but are not limited to protective circuits and error prevention circuits for safe design, redundant design, and structural design.
- In the event that any or all MSKSEMI Semiconductor products (including technical data, services) described or contained herein are controlled under any of applicable local export control laws and regulations, such products must not be exported without obtaining the export license from the authorities concerned in accordance with the above law.
- No part of this publication may be reproduced or transmitted in any form or by any means, electronic or mechanical, including photocopying and recording, or any information storage or retrieval system, or otherwise, without the prior written permission of MSKSEMI Semiconductor.
- Information (including circuit diagrams and circuit parameters) herein is for example only ; it is not guaranteed for volume production. MSKSEMI Semiconductor believes information herein is accurate and reliable, but no guarantees are made or implied regarding its use or any infringement of intellectual property rights or other rights of third parties.
- Any and all information described or contained herein are subject to change without notice due to product/technology improvement, etc. When designing equipment, refer to the "Delivery Specification" for the MSKSEMI Semiconductor product that you intend to use.