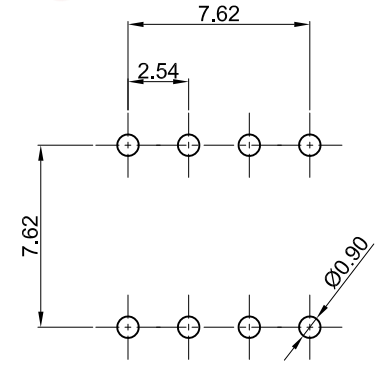
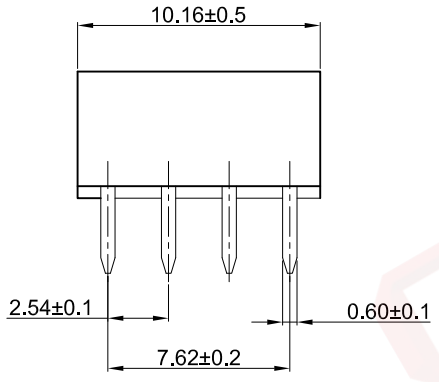
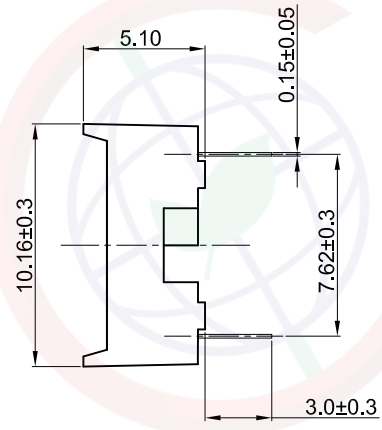
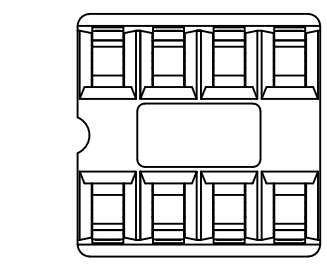


1	2	3	4	5	6	7	8	
Dept	晨翔2.54mm IC母座, 8P, DIP, 黑色胶芯, 脚距7.62宽, 无杠, 端子镀锡			REV.	DESCRIPTION	DRAWN	CHECKED	APPROVED
Qty				A	NEW RELEASE	JLZ 06/18/24'	~	
DC	晨翔料号:DS1009-08AT1NX-0A2							
ED								
IE								
ISO								
PD								
R&D								
SD								
QA								
QC								
QE								

The information provided herein is from CONNELY Electronic Co., Ltd. and is confidential. Any disclosure to a party other than the recipient is prohibited. The intellectual properties and its rights contained herein, including but not limited to, trademarks, patents, copyrights, trade secrets, and technical know-how, are owned exclusively by CONNELY or its affiliates. Unauthorized use or reproduction of this information in any format or manner. CONNELY may enforce its intellectual property rights at its own discretion; failures or delays to exercise such rights does not constitute a waiver of such rights.



PCB孔位尺寸参考
公差: ±0.05

- 备注:
- 电性说明:
 - 接触阻抗: 30毫欧最大
 - 耐压: 600伏交流电一分钟
 - 绝缘阻抗: 1000兆欧最小
 - 额定电流: 1安
 - 环境特性:
 - 工作温度: -40~+105° C
 - 材料:
 - 端子: 磷铜, 镍底镀锡
 - 胶芯: PBT, 黑色, 阻燃

GENERAL TOLERANCE		ANGLE TOLERANCE		PROJECTION		TITLE	2.54mm IC SOCKET
X.	±0.60	X.	±5°	UNITS	mm		Stamping Type
.X	±0.38	.X	±3°	SHEET SIZE	A4	SERIES	DS1009 SERIES
.XX	±0.25	.XX	±2°	晨翔电子有限公司 CONNELY CONNELY ELECTRONIC CO. LTD			
DRAWING TYPE		CUSTOMER					
SCALE		1:1 SHEET 1 OF 1					
DRAWING NO.		C-DS1009-XXXXX-XXX-A					