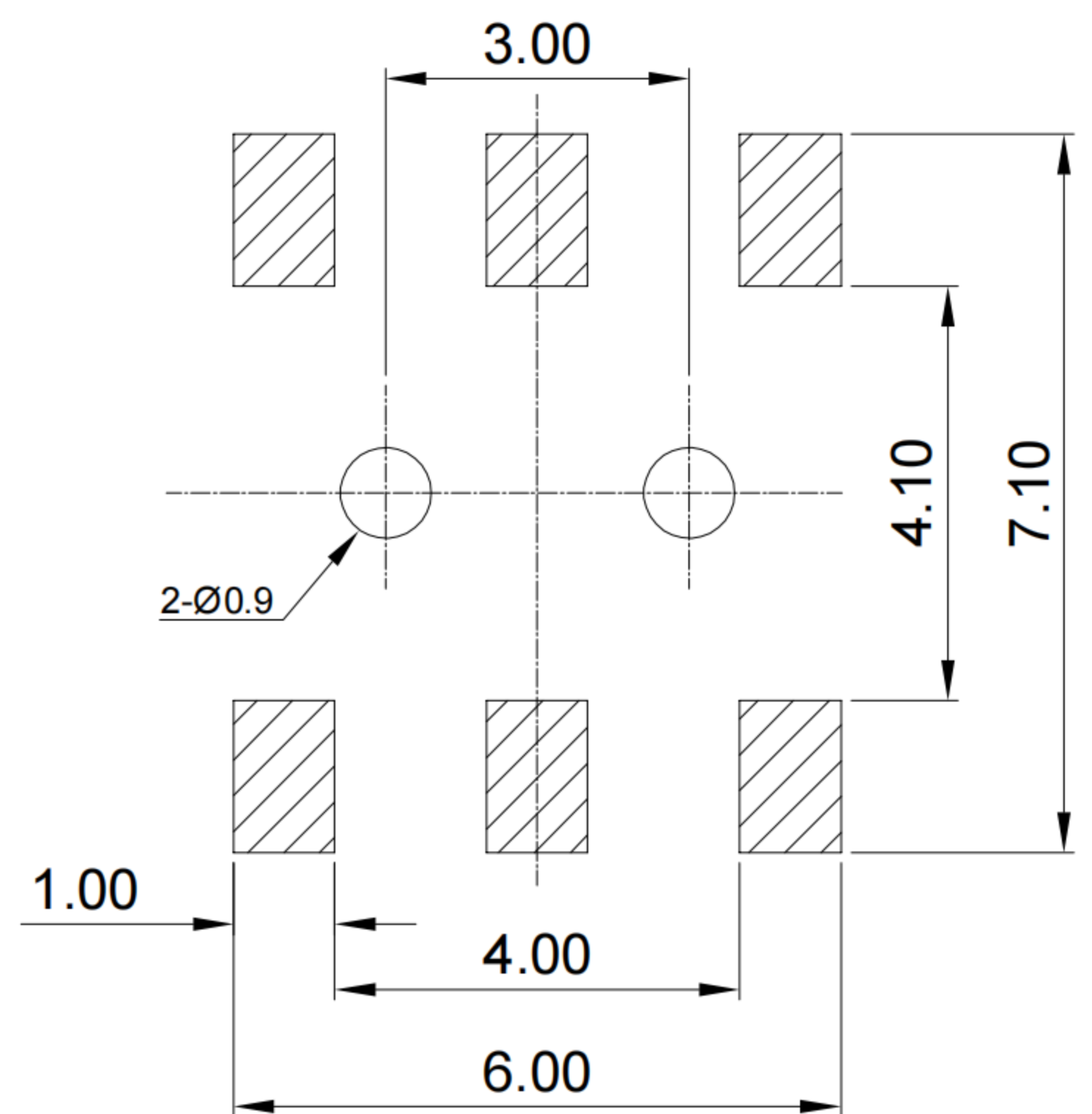
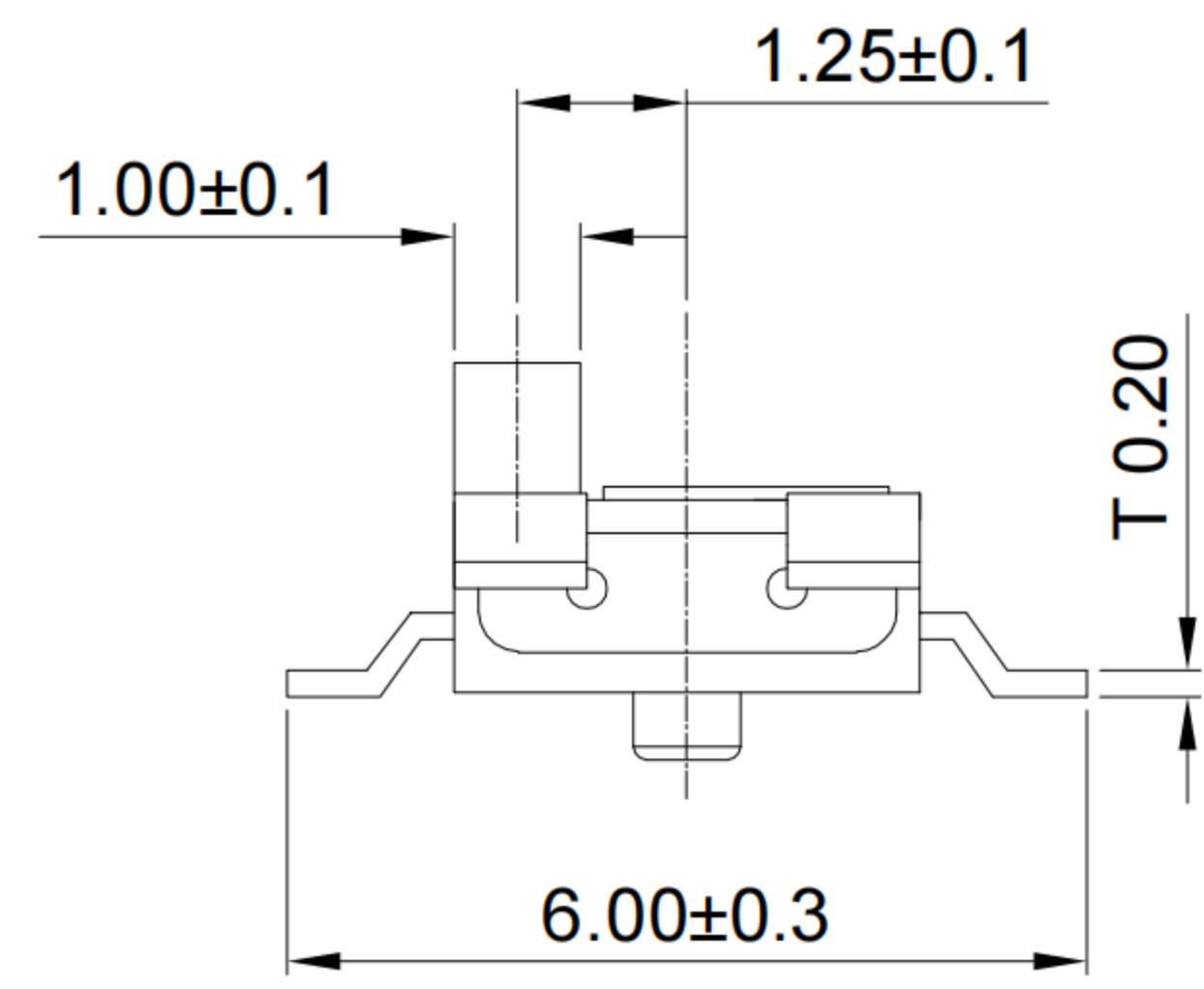
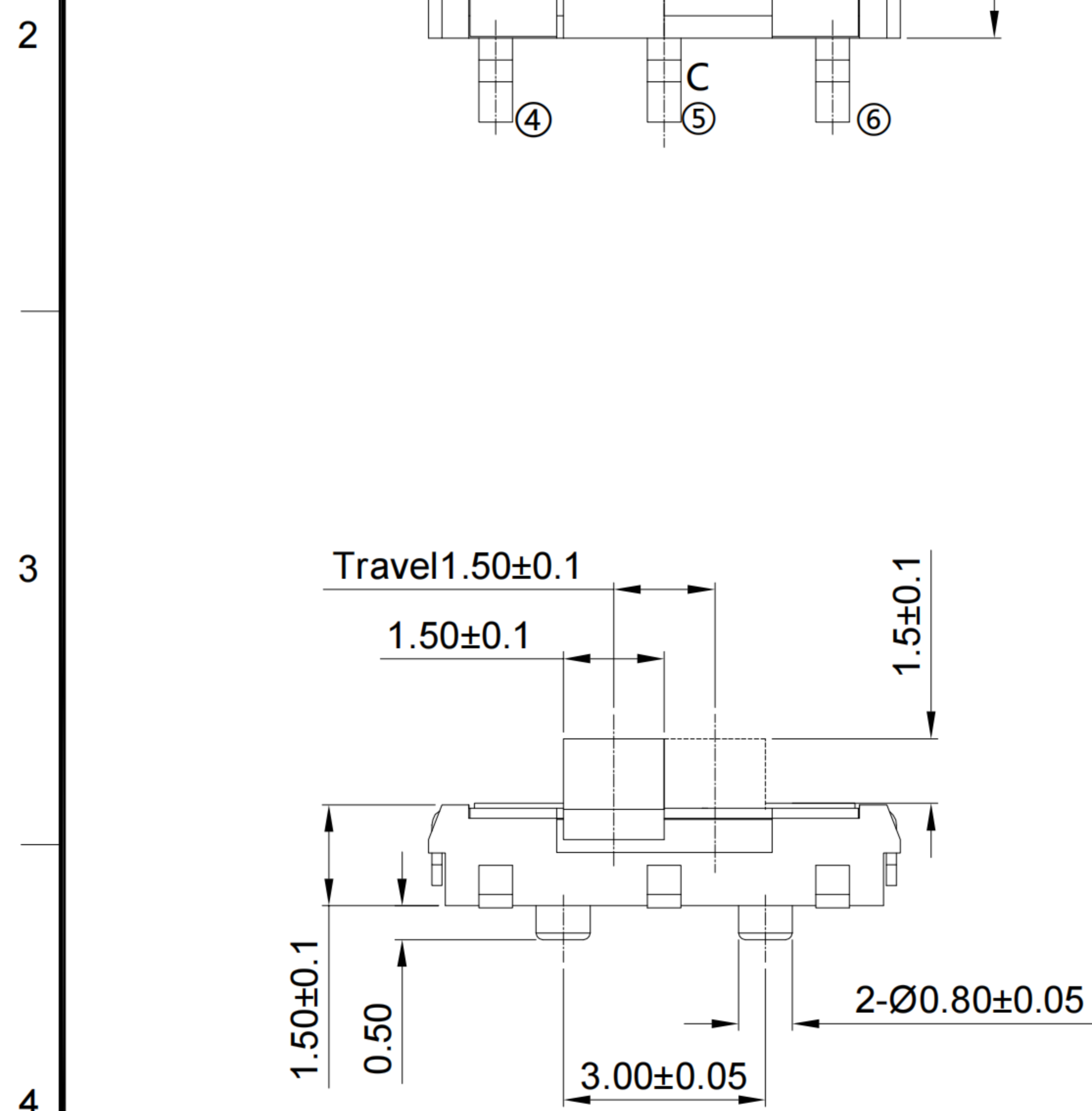


MS-22C01-G020

Dial Directly

G-Switch P/N

Switch Height
 G010=1.0mm
 G015=1.5mm
 G020=2.0mm
 G030=3.0mm



RECOMMENDED PCB LAYOUT

- G-Switch Specification:**
1. Operating temperature range: -40°C to +85°C
 2. Rating: 50mA, 12V DC
 3. Insulation resistance: 100MΩ min, 100V DC
 4. Dielectric strength: 250V AC for 1 min
 5. Contact resistance: 100m Ω max.
 6. Contact arrangement: 1P2T
 7. Travel: 1.5±0.1mm
 8. Switch lifetime: 10,000 cycles

6	COVER	STAINLESS STEEL	
5	BUTTON	HIGH TEMPERATURE PLASTIC	BLACK
4	TAPE	POLYIMIDE	YELLOW (TRANSPARENT)
3	CONTACT	STAINLESS STEEL	Ag PLATING
2	TERMINAL	COPPER ALLOY	Ag PLATING
1	BASE	HIGH TEMPERATURE PLASTIC	BLACK
NO.	PART NAME	MATERIAL	REMARK



SCALE: 1:1	UNIT: mm
SIZE: A4	
Unless otherwise General Tolerance:	
30 < L	±0.30
10 < L ≤ 30	±0.25
5 < L ≤ 10	±0.20
L ≤ 5	±0.15
X°	±2°

Title: Horizontal Mini Slide Switch SMT 7.0×3.5×2.0mm			
Molde Code: MS-22C01-G020			
DRAWN	CHECKED	APPROVED	DATE
Xia	Chen	Chen	2023.02.01



REV: A0 SHEET: 1/1