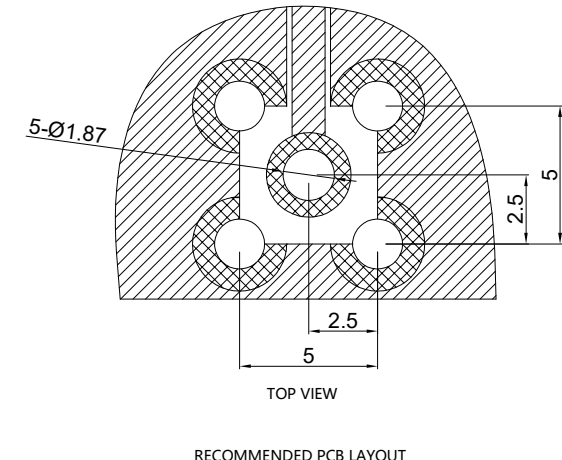
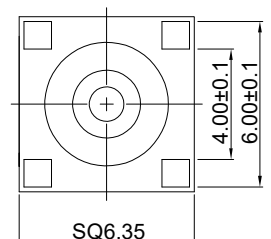
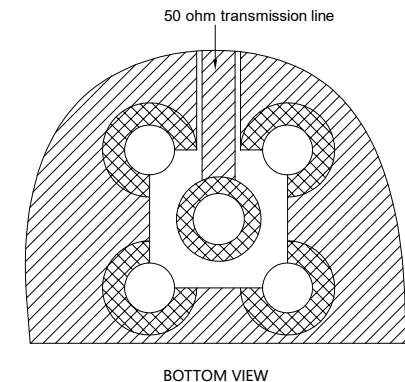
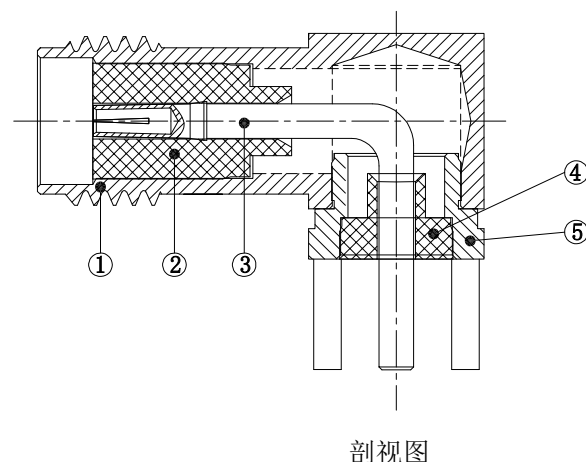
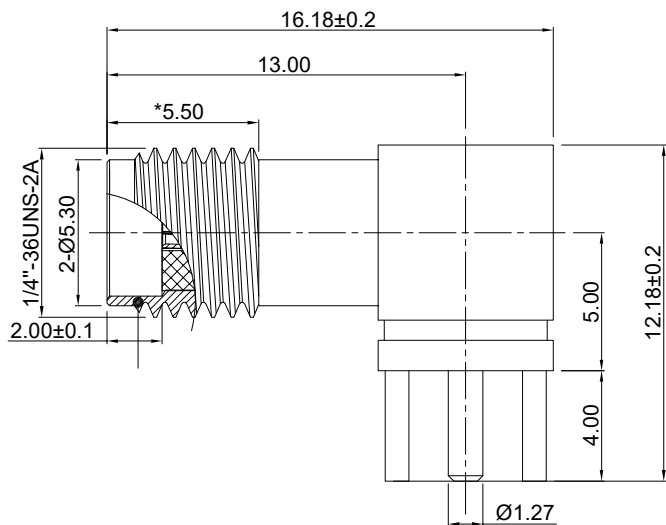


REV.	DESCRIPTION	APPD.	DATE
A	INITIAL RELEASED	Chen	2023/04/27



**TYPICAL SPECIFICATIONS**

- 1.0.ELECTRICAL
- 1.1.FREQUENCY RANGE: DC-6GHZ
  - 1.2.NOMINAL IMPEDANCE: 50 Ohm
  - 1.3.WORKING VOLTAGE:335V MAX.
  - 1.4.PROOF VOLTAGE:750V
  - 1.5.VSWR:1.5MAX.
  - 1.6.INSULATION RESISTANCE: 1000 Mohm
  - 1.7.CONTACT RESISTANCE: CENTER CONTACT:5 mohm
  - 1.8.OUTER CONTACT: ≤2.5 mohm
  - 1.9.Thread torque: 15 in-lbs MIN.
  - 2.0.Mechanical damage resistance: plug/unplug 500 times
  - 2.1.The thread locking torque can meet 9 kg-cm without slipping.
- 2.0.ENVIRONMENTAL
- 2.1.OPERATING TEMPERATURE RANGE: -55°C TO +125°C
  - 2.2.SALT SPRAY:48HOURS
  - 2.3.RoHS COMPLIANT

DIMENSIONS ARE IN MILLIMETERS UNLESS OTHERWISE SPECIFIED TOLERANCES ANGLES = ±3° UP TO 6 = ±0.1 6-40 = ±0.2 40-120 = ±0.6 120-315 = ±1.0 ABOVE 315 = ±1.6		CUS P/N: A-SMA-KWE-16.18A	<b>MyAntenna</b> <sup>®</sup> TITLE: SMA JCAK S/T FOR PCB
		PART NO.: M04-0101020R0A	
		APPD:	DWG NO.:
		CHKD:	SCALE SHEET REV.
		DR:	1:1 1/1 V01

ITEM	DRAWING NO.	PART NAME	DESCRIPTION	QTY
⑤	SMA418072I-1732	INSULATOR	PTFE (WHITE)	1PCS
④	SMA418072I-1713	INSULATOR	PTFE (WHITE)	1PCS
③	SMA014114G-3327	CENTER PIN	GOLD-PLATED BRASS (GOLDEN)	1PCS
②	SMA418072I-1764	INSULATOR	PTFE (WHITE)	1PCS
①	SMA065135G-3517	BODY	GOLD-PLATED BRASS (GOLDEN)	1PCS

A  
B  
C  
D  
E  
F