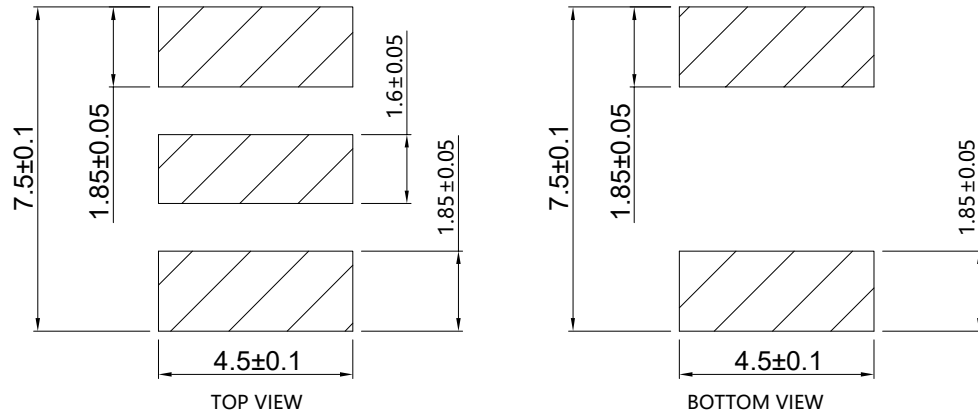
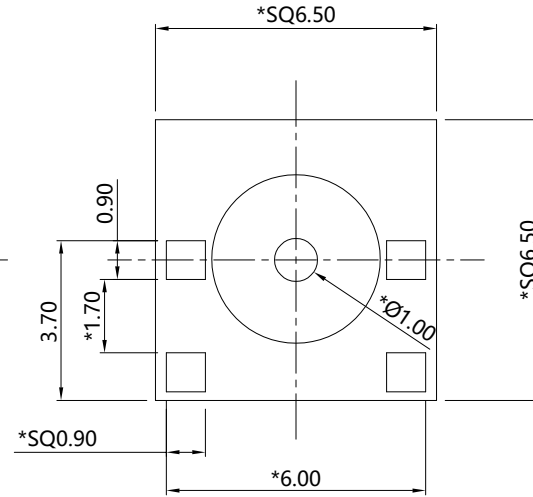
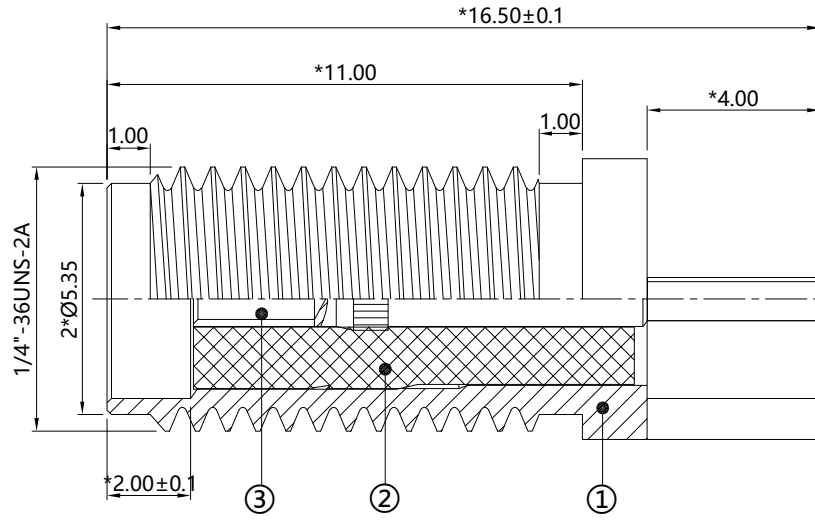


REV.	DESCRIPTION	APPD.	DATE
A	INITIAL RELEASED	Chen	2021/04/09



TYPICAL SPECIFICATIONS

1.0.ELECTRICAL

- 1.1.FREQUENCY RANGE: DC-6GHZ
- 1.2.NOMINAL IMPEDANCE: 50 Ohm
- 1.3.WORKING VOLTAGE:335V MAX.
- 1.4.PROOF VOLTAGE:750V
- 1.5.VSWR:1.5MAX.
- 1.6.INSULATION RESISTANCE: 1000 Mohm
- 1.7.CONTACT RESISTANCE: CENTER CONTACT:5 mohm
- 1.8.OUTER CONTACT: ≤2.5 mohm
- 1.9.Thread torque: 15 in-lbs MIN.
- 2.0.Mechanical damage resistance: plug/unplug 500 times

2.0.ENVIRONMENTAL

- 2.1.OPERATING TEMPERATURE RANGE: -55°C TO +125°C
- 2.2.SALT SPRAY:48HOURS
- 2.3.RoHS COMPLIANT

RECOMMENDED PCB LAYOUT

<p>DIMENSIONS ARE IN MILLIMETERS UNLESS OTHERWISE SPECIFIED TOLERANCES ANGLES = ±3° UP TO 6 = ±0.1 6-40 = ±0.2 40-120 = ±0.6 120-315 = ±1.0 ABOVE 315 = ±1.6</p>	CUS P/N: A-SMA-KE-16.5A	<p>MyAntenna[®]</p> <p>TITLE: SMA JCAK S/T FOR PCB</p>					
	PART NO.: M04-0102170R0A						
	APPD: 陈建明	DWG NO.:					
	CHKD: 陈建明 DR: 董清廷	<table border="1"> <tr> <td>SCALE</td> <td>SHEET</td> <td>REV.</td> </tr> <tr> <td>1:1</td> <td>1/1</td> <td>V01</td> </tr> </table>	SCALE	SHEET	REV.	1:1	1/1
SCALE	SHEET	REV.					
1:1	1/1	V01					

ITEM	DRAWING NO.	PART NAME	DESCRIPTION	QTY
③	SMA014114G-3303	CENTER PIN	GOLD-PLATED BRASS (GOLDEN)	1PCS
②	SMA418072I-1711	INSULATOR	PTFE (WHITE)	1PCS
①	SMA065135G-3535	BODY	GOLD-PLATED BRASS (GOLDEN)	1PCS

A
B
C
D
E
F