



REV.	ECN NO OR DESCRIPTION	REVISED	DATE

技术要求:

- 1) 材质:见附表;
- 2) 电镀:见附表;
- 3) 塑件表面平整、光洁、无毛刺、气泡、烧焦、变形、浇口无拉伤、多料或缺料等不良现象;
- 4) 端子表面无氧化、电镀不良等现象。

适用基板厚度: 1.6mm  
 适用线规: 28#~22#  
 温度范围: -25°C~85°C  
 额定电压: 250V AC/DC  
 额定电流: 3A  
 接触电阻: ≤0.02Ω  
 绝缘电阻: ≥1000MΩ  
 耐压: 1000V AC/minute

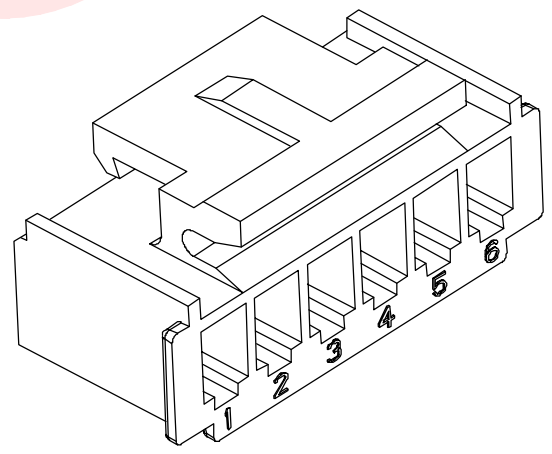
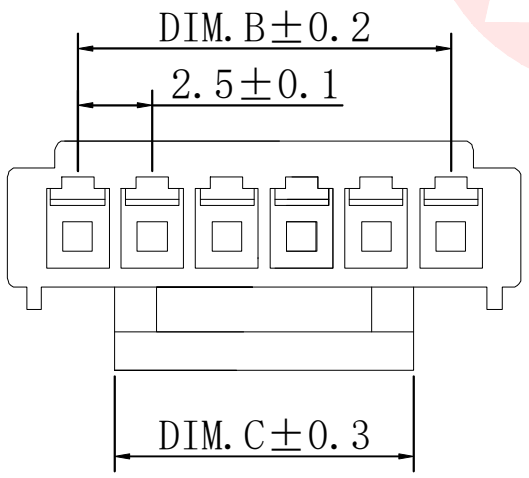
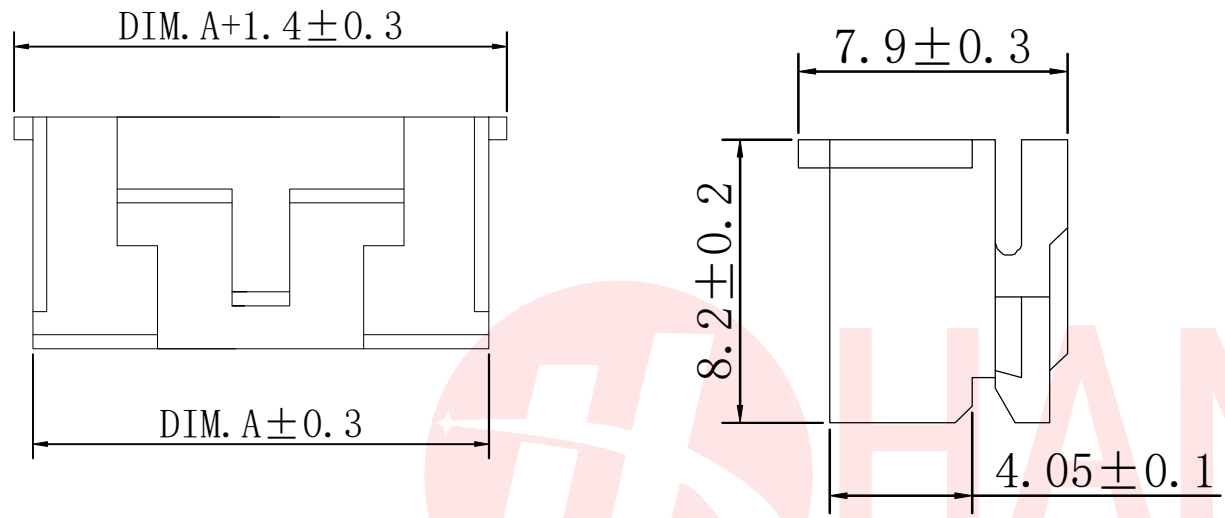


TABLE:

CSG PART NO.	PIN位	A	B	C
WAFER-XHB254JK-2A	2PIN	5.75	2.50	4.75
WAFER-XHB254JK-3A	3PIN	8.25	5.00	7.25
WAFER-XHB254JK-4A	4PIN	10.75	7.50	9.75
WAFER-XHB254JK-5A	5PIN	13.25	10.00	12.25
WAFER-XHB254JK-6A	6PIN	15.75	12.50	14.75
WAFER-XHB254JK-7A	7PIN	18.25	15.00	17.25
WAFER-XHB254JK-8A	8PIN	20.75	17.50	19.75
WAFER-XHB254JK-9A	9PIN	23.25	20.00	22.25
WAFER-XHB254JK-10A	10PIN	25.75	22.50	24.75
WAFER-XHB254JK-11A	11PIN	28.25	25.00	27.25
WAFER-XHB254JK-12A	12PIN	30.75	27.50	29.75

UNLESS OTHERWISE SPECIFIED TOLERANCES

DECIMALS: X :±0.35 X.X :±0.25 X.XX :±0.15

ANGLES: X :±2° X.X :±1°

TITLE: WAFER XHS 2.54胶壳

DWN: xiong PART NO. WAFER-XHB254JK-NA

CHKD: lee SCALE: 1:1 UNIT: mm

APVD: wang SIZE: A4 SHEET: 10F 1 REV: A4

CUSTOMER COPY

东莞市汉博电子科技有限公司  
DONGGUAN HANBO TECHNOLOGY CO., LTD