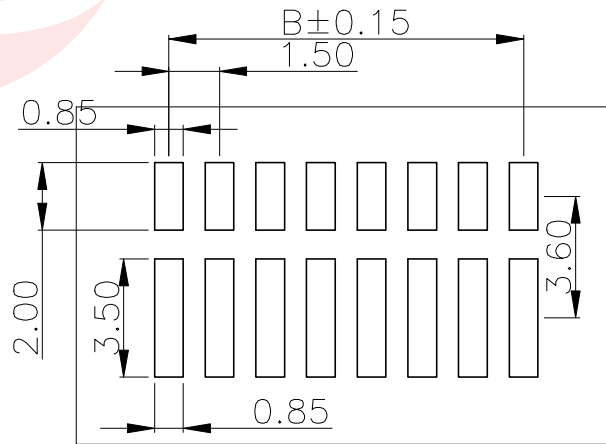
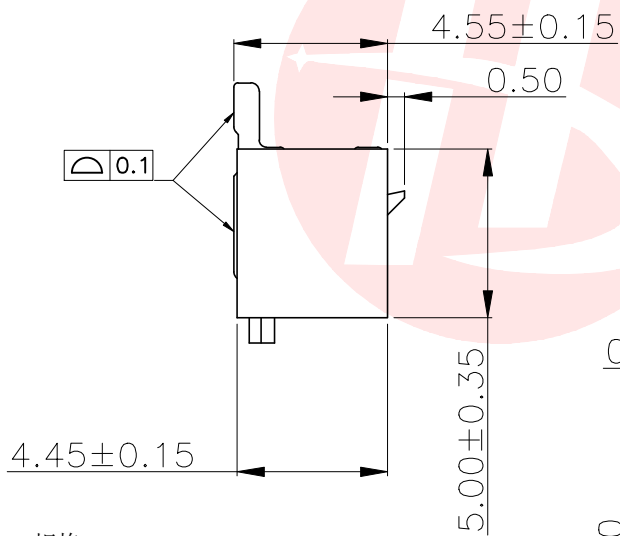
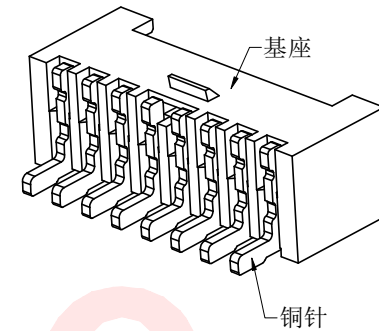
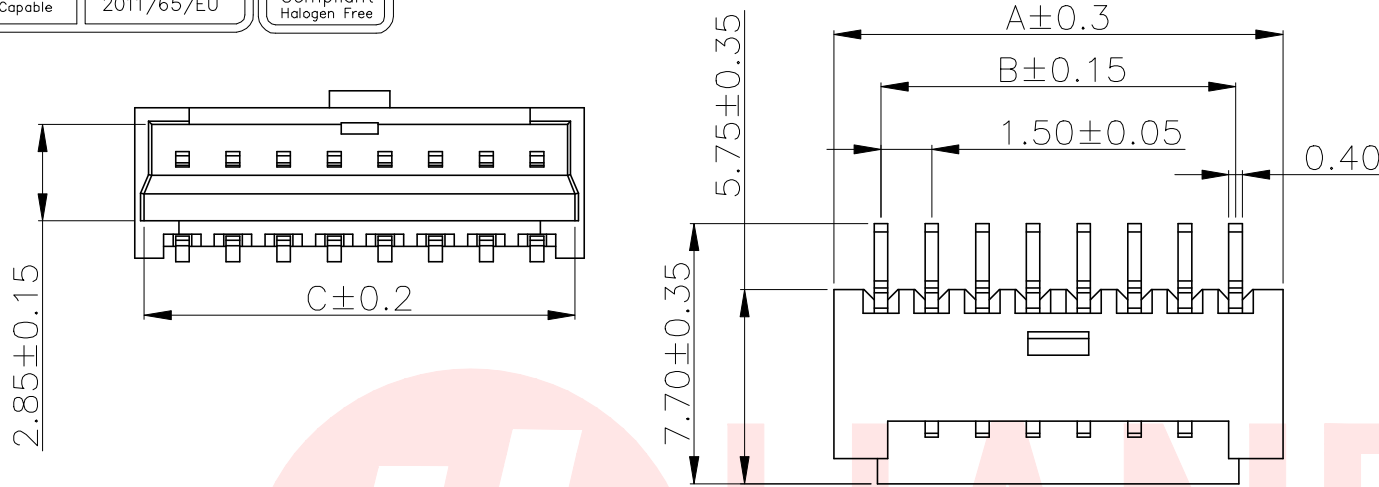




REV.	ECN NO OR DESCRIPTION	REVISED	DATE



PCB Layout

规格:  
 接触电阻:  $\leq 50m\Omega$  Max  
 绝缘电阻:  $\geq 100M\Omega$   
 额定电压: 125V, AC DC  
 额定电流: 1.0A AC DC  
 耐受电压: 500V AC/min  
 温度范围:  $-25\sim 85^{\circ}C$ 。  
 基座: LCP(米色) UL94V-0  
 铜针: 磷铜(亮锡或雾锡或镀金)  
 焊片: 磷铜(亮锡或雾锡)

CSG PART NO.	PIN数	A±0.1	B±0.1	C±0.1
WAFER-MX150WT-2A	2A	4.30	1.50	3.76
WAFER-MX150WT-3A	3A	5.80	3.00	5.26
WAFER-MX150WT-4A	4A	7.30	4.50	6.76
WAFER-MX150WT-5A	5A	8.80	6.00	8.26
WAFER-MX150WT-6A	6A	10.30	7.50	9.76
WAFER-MX150WT-7A	7A	11.80	9.00	11.26
WAFER-MX150WT-8A	8A	13.30	10.50	12.76
WAFER-MX150WT-9A	9A	14.80	12.00	14.26
WAFER-MX150WT-10A	10A	16.30	13.50	15.76
WAFER-MX150WT-16A	16A	25.30	22.50	24.76

UNLESS OTHERWISE SPECIFIED TOLERANCES



东莞市汉博电子科技有限公司  
 DONGGUAN HANBO TECHNOLOGY CO., LTD

DECIMALS: ANGLES:  
 X :±0.30 X :±2°  
 X.X :±0.20 X.X :±1°  
 X.XX :±0.10

TITLE	MX 1.50 卧贴带扣		
DWN	xiong	PART NO. WAFER-MX150WT-NA	
CHKD	lee	SCALE:1:1	UNIT: mm
APVD	wang	SIZE: A4	SHEET:10F 1
REV: A4			
CUSTOMER COPY			