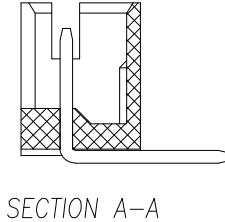
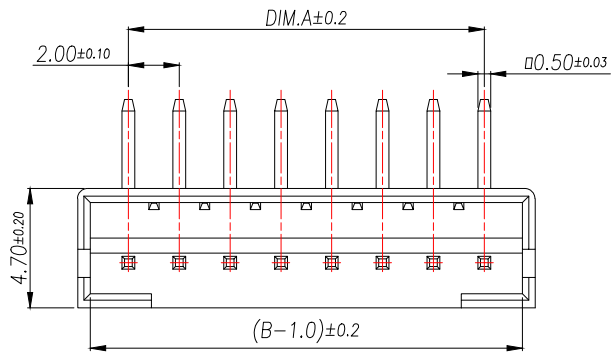


REV.	DESCRIPTION	ECN NO.	NAME	DATE

1



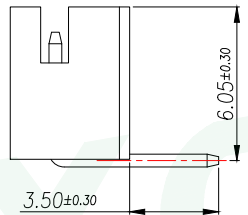
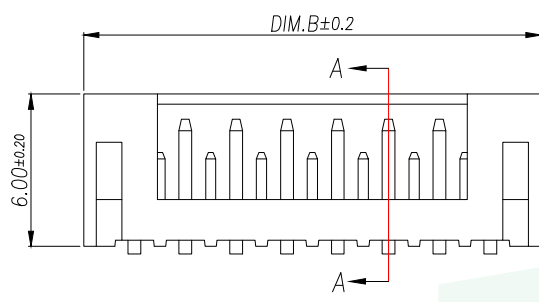
PRELIMINARY  
DESIGN IS SUBJECT  
TO CHANGE WITHOUT  
PRIOR NOTICE

2

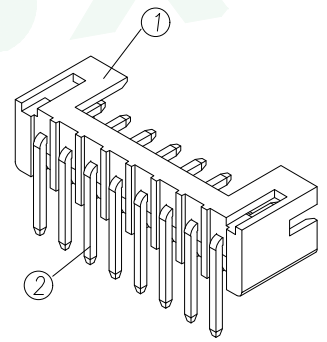
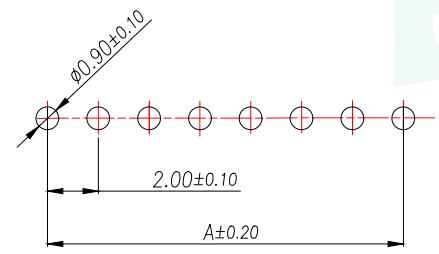
- 技术要求:
- 1、塑件材料:PA66 (UL-94V-0)
  - 2、接触件:黄铜镀锡
  - 3、接触电阻: ≤10mΩ
  - 4、绝缘电阻: ≥1000MΩ
  - 5、额定电压:250V AC DC
  - 6、额定电流:2.0A AC DC
  - 7、耐压:能承受1000V AC/Min ute
  - 8、工作温度: -25° ~ +85°
  - 9、可焊性试验:浸锡面积>95%温度220<sup>+5</sup><sub>0</sub>,时间 2.5±0.5秒
  - 10、铅和铜等六大有害物质含量要符合环保要求

Part No	PIN	A	B
WF-1B200A2P	2	2	6
WF-1B200A3P	3	4	8
WF-1B200A4P	4	6	10
WF-1B200A5P	5	8	12
WF-1B200A6P	6	10	14
WF-1B200A7P	7	12	16
WF-1B200A8P	8	14	18
WF-1B200A9P	9	16	20
WF-1B200A10P	10	18	22
WF-1B200A11P	11	20	24
WF-1B200A12P	12	22	26
WF-1B200A13P	13	24	28
...	...	...	...
WF-1B200A20P	20	(20-1)*2	(20+1)*2

3



4



SUGGESTED PCB LAYOUT  
(COMPONENT SIDE)

5

2	Contact	Brass	n*1	电镀(锡): 整个表面镀底镍30u"MIN,再镀锡80u".MIN.
1	Wafer	PA66(UL94V-0)	1	本色
序号	名称	材料	数量	附注
GENERAL TOLERANCE		DONGGUAN BAOXUN PRECISION TECHNOLOGY CO., LTD		
DIM. TOL.		TITLE: WAFER 2.0mm H6.0mm 90° DIP		
X ±0.30		DWG. NO.: WF-1B200ANP		
X.X ±0.25				
X.XX ±0.25		PART NO.: WF-1B200ANP		
X.XXX ±0.15				
GENERAL ANGLE: ±3°		APPROVED: WILL		
UNIT: mm		SCALE: none	SHEET: 1 of 1	DWG. SIZE: A4
		LAYER: bxconn		

