



5	6		
REV.	ECN NO OR DESCRIPTION	REVISED	DATE

技术要求:

- 1) 材质: 见附表;
- 2) 电镀: 见附表;
- 3) 塑件表面平整、光洁、无毛刺、气泡、烧焦、变形、浇口无拉伤、多料或缺料等不良现象;
- 4) 端子表面无氧化、电镀不良等现象。

适应基板厚度: 1.2mm~1.6mm

温度范围: -25°C~85°C

额定电压: 250V AC/DC

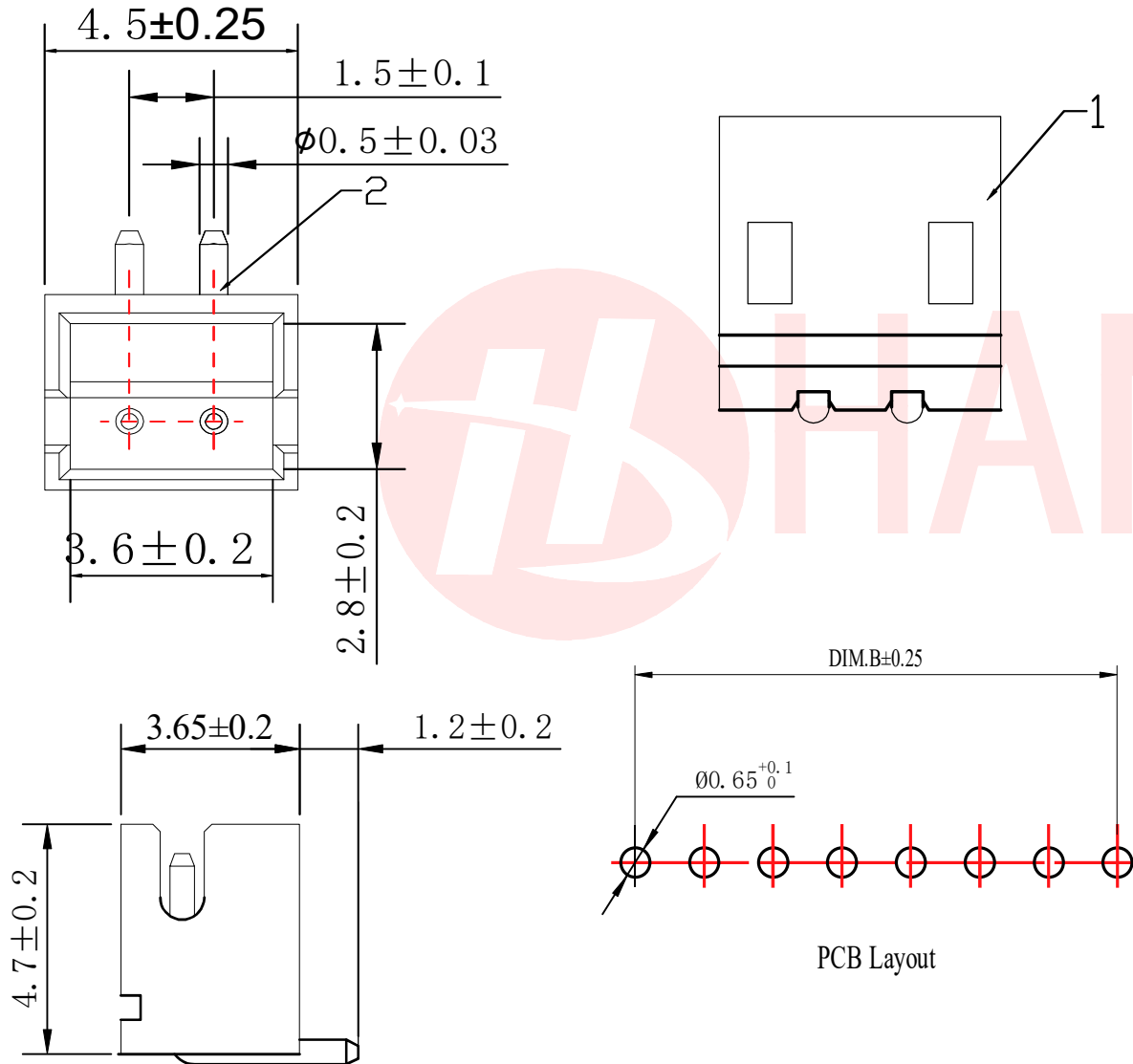
额定电流: 1A

绝缘电阻: $\geq 1000M\Omega$

耐压: 800V AC/minute

TABLE:

CSG PART NO.	PIN位	A	B	C
WAFER-ZH150WZ-Z122A	2PIN	4.50	1.50	3.60
WAFER-ZH150WZ-Z123A	3PIN	6.00	3.00	5.10
WAFER-ZH150WZ-Z124A	4PIN	7.50	4.50	6.60
WAFER-ZH150WZ-Z125A	5PIN	9.00	6.00	8.10
WAFER-ZH150WZ-Z126A	6PIN	10.50	7.50	9.60
WAFER-ZH150WZ-Z127A	7PIN	12.00	9.00	11.10
WAFER-ZH150WZ-Z128A	8PIN	13.50	10.50	12.60
WAFER-ZH150WZ-Z129A	9PIN	15.00	12.00	14.10
WAFER-ZH150WZ-Z1210A	10PIN	16.50	13.50	15.60
WAFER-ZH150WZ-Z1211A	11PIN	18.00	15.00	17.10
WAFER-ZH150WZ-Z1212A	12PIN	19.50	16.50	18.60



2	PIN	2 PCS	材质: 黄铜, 电镀: 镀亮锡60u"MIN
1	Housing	1 PCS	材质: 6t, 颜色: 本色
NO.	NAME	Q'TY	DESCRIPTION

UNLESS OTHERWISE SPECIFIED TOLERANCES		东莞市汉博电子科技有限公司 DONGGUAN HANBO TECHNOLOGY CO., LTD			
DECIMALS:	ANGLES:	TITLE	WAFER ZH 1.5短针1.2弯针		
X : ± 0.35	X : $\pm 2^\circ$	DWN	xiong	PART NO.WAFER-ZH150WZ-Z12NA	
X.X : ± 0.25	X.X : $\pm 1^\circ$	CHKD	lee	SCALE: 1:1	UNIT: mm
X.XX : ± 0.15		APVD	wang	SIZE: A4	SHEET: 10F 1
		REV: A4			
CUSTOMER COPY					