



REV.	ECN NO OR DESCRIPTION	REVISED	DATE

技术要求:

- 1) 材质:见附表;
- 2) 电镀:见附表;
- 3) 塑件表面平整、光洁、无毛刺、气泡、烧焦、变形、浇口无拉伤、多料或缺料等不良现象;
- 4) 端子表面无氧化、电镀不良等现象。

适应基板厚度: 1.2mm~1.6mm

温度范围: -25℃~85℃

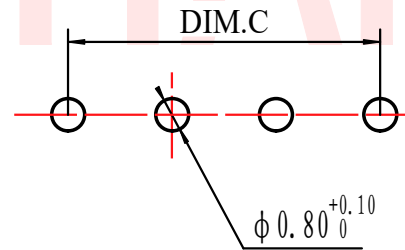
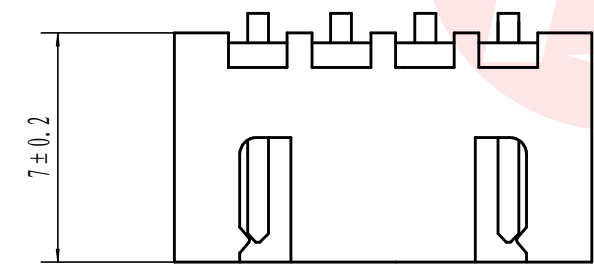
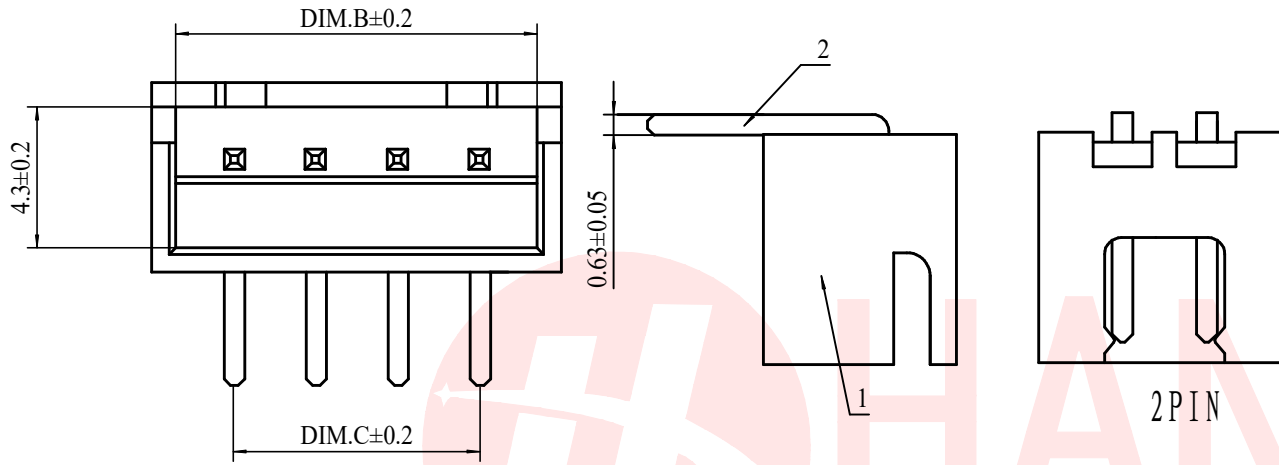
额定电压: 250V AC/DC

额定电流: 3A

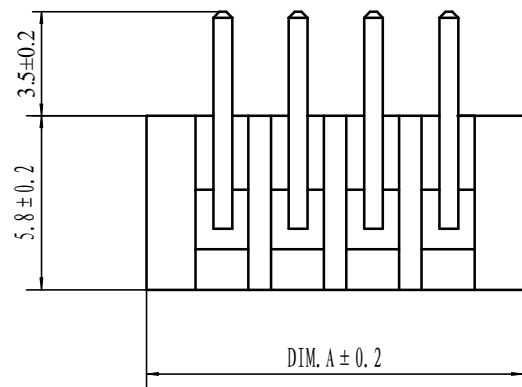
接触电阻: <math>\leq 0.01\Omega</math>

绝缘电阻: >math>\geq 1000M\Omega</math>

耐 压: 1000V AC/minute



PCB LAYOUT



WAFER-XH254WZ-NAX

染色颜色  
H:红色  
L:蓝色  
M:米色

2	PIN	n PCS	材质:黄铜,电镀:镀亮锡60u*MIN
1	Housing	1 PCS	材质:PA66 (UL94V-0),颜色:本色
NO.	NAME	Q'TY	DESCRIPTION

TABLE:

CSG PART NO.	PIN位	A	B	C
WAFER-XH254Z-2AX	2PIN	7.50	6.10	2.50
WAFER-XH254Z-3AX	3PIN	10.00	8.60	5.00
WAFER-XH254Z-4AX	4PIN	12.50	11.10	7.50
WAFER-XH254Z-5AX	5PIN	15.00	13.60	10.00
WAFER-XH254Z-6AX	6PIN	17.50	16.10	12.50
WAFER-XH254Z-7AX	7PIN	20.00	18.60	15.00
WAFER-XH254Z-8AX	8PIN	22.50	21.10	17.50
WAFER-XH254Z-9AX	9PIN	25.00	23.60	20.00
WAFER-XH254Z-10AX	10PIN	27.50	26.10	22.50
WAFER-XH254Z-11AX	11PIN	30.00	28.60	25.00
WAFER-XH254Z-12AX	12PIN	32.50	31.10	27.50
WAFER-XH254Z-15AX	15PIN	40.00	38.60	35.00

UNLESS OTHERWISE SPECIFIED TOLERANCES

DECIMALS:	ANGLES:
X :±0.35	X :±2°
X.X :±0.25	X.X :±1°
X.XX :±0.15	



东莞市汉博电子科技有限公司  
DONGGUAN HANBO TECHNOLOGY CO., LTD

TITLE	WAFER XH 2.54 弯针(米、红、蓝颜色)			
DWN	xiong	PART NO.WAFER-XH254WZ-NAX		
CHKD	lee	SCALE:1:1	UNIT: mm	
APVD	wang	SIZE: A4	SHEET:10F 1	REV: A4

CUSTOMER COPY