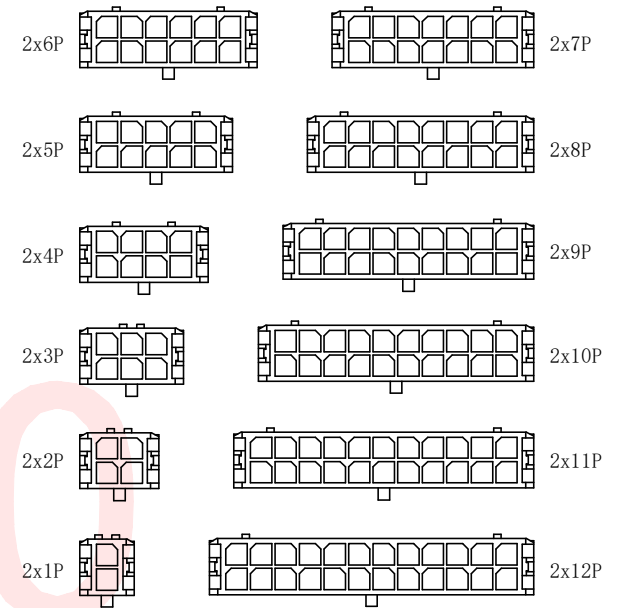
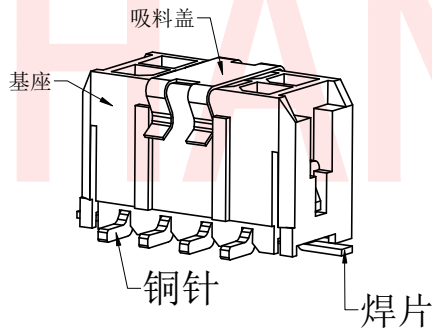
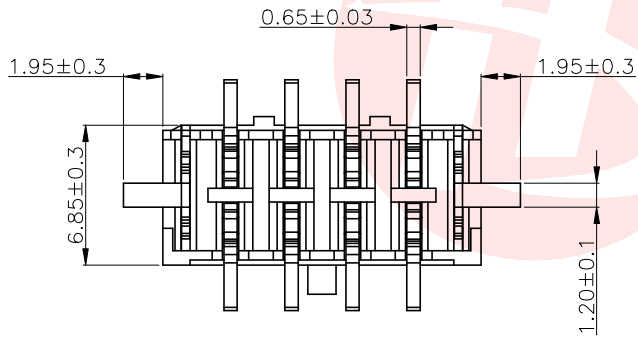
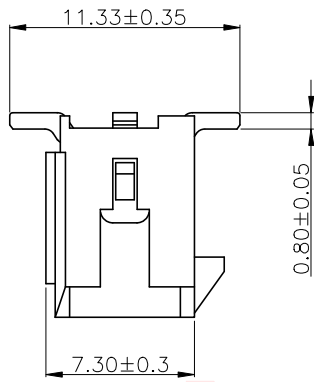
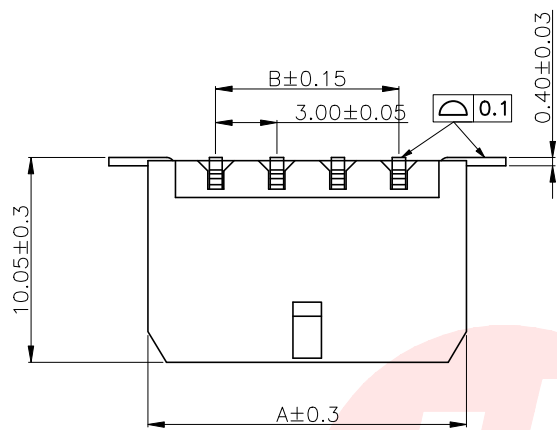


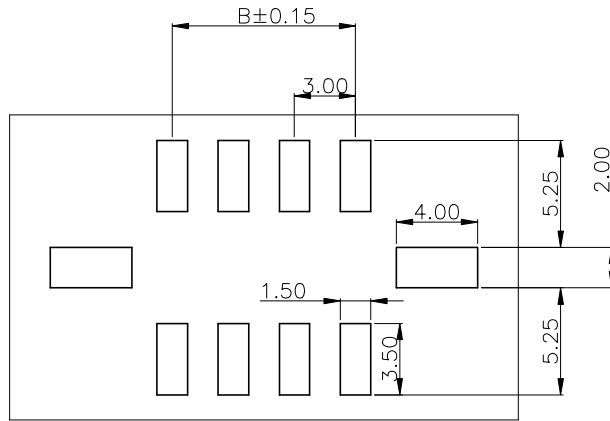


REV.	ECN NO OR DESCRIPTION	REVISED	DATE



CSG PART NO.	PIN#	A±0.1	B±0.1
WAFER-MX300LT-21A	2*1A	6.65	0
WAFER-MX300LT-22A	2*2A	9.65	3.00
WAFER-MX300LT-23A	2*3A	12.65	6.00
WAFER-MX300LT-24A	2*4A	15.65	9.00
WAFER-MX300LT-25A	2*5A	18.65	12.00
WAFER-MX300LT-26A	2*6A	21.65	15.00
WAFER-MX300LT-27A	2*7A	24.65	18.00
WAFER-MX300LT-28A	2*8A	27.65	21.00
WAFER-MX300LT-29A	2*9A	30.65	24.00
WAFER-MX300LT-210A	2*10A	33.65	27.00
WAFER-MX300LT-211A	2*11A	36.65	30.00
WAFER-MX300LT-212A	2*12A	39.65	33.00

规格:  
 接触电阻:  $\leq 10\text{m}\Omega$   
 绝缘电阻:  $\geq 1000\text{M}\Omega$   
 额定电压: 250V, AC, DC  
 额定电流: 5.0A AC, DC  
 耐受电压: 1500V AC/min  
 温度范围:  $-40\sim 85^\circ\text{C}$   
 基座: LCP(黑色) UL94V-0  
 吸料盖: 不锈钢  
 铜针: 黄铜/(亮锡或雾锡或镀金)  
 焊片: 黄铜/(亮锡或雾锡)



PCB Layout

UNLESS OTHERWISE SPECIFIED TOLERANCES

DECIMALS:	ANGLES:
X :±0.30	X :±2°
X.X :±0.20	X.X :±1°
X.XX :±0.10	



东莞市汉博电子科技有限公司  
 DONGGUAN HANBO TECHNOLOGY CO., LTD

TITLE	MX 3.0双排立贴		
DWN	xiong	PART NO. WAFER-MX300LT-2NA	
CHKD	lee	SCALE:1:1	UNIT: mm
APVD	wang	SIZE: A4	SHEET:10F 1
REV: A4			
CUSTOMER COPY			