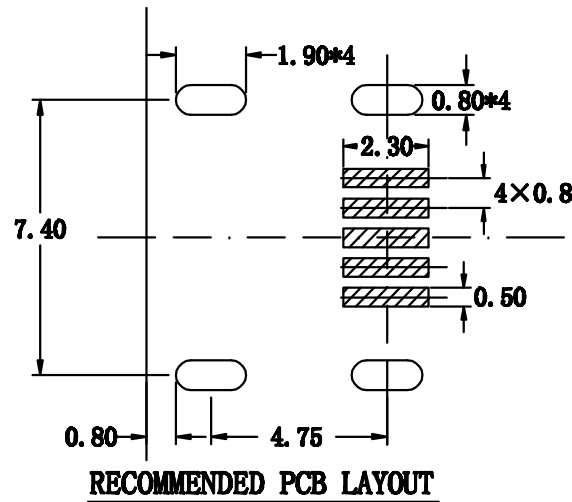
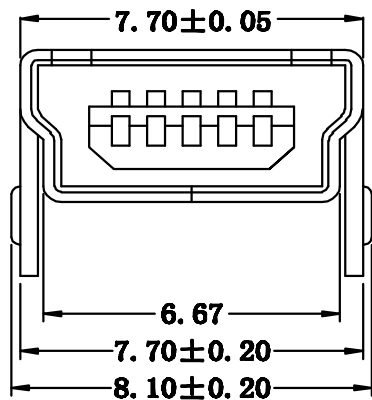
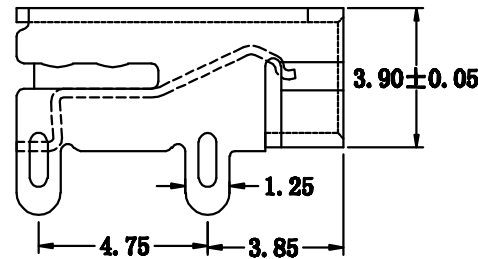
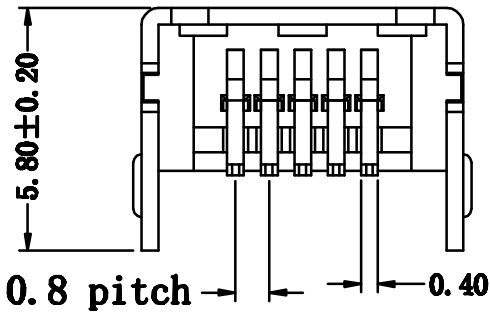
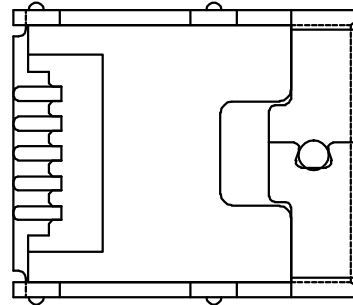
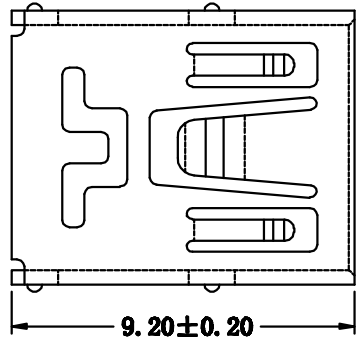




REV.	ECN NO OR DESCRIPTION	REVISED	DATE



特性:

规格说明: Specifications

电气特性: Electrical

1. 额定电流: Current Rating 1.0A/contact terminal
2. 额定电压: Voltage Rating 30vDC
3. 接触阻抗: Contact Resistance 50 milliohms MAX
4. 耐电压: Dielectric Withstanding Voltage 300V AC AT Sea level
5. 绝缘阻抗: Insulation Resistance 100MEGA ohms MIN

原材料: Raw material

1. 塑胶: Plastic cement
Hing temperature Thermoplastics LCP Black
 2. 端子: Contact copper alloy C2680/C5191
 3. 外壳: Shell copper Alloy C2680
- 电镀: Electroplate
1. 端子: Contact Plated Gold in Mating Area Tin on Solder Talls
 2. 外壳: Shell Nickel Plating

UNLESS OTHERWISE SPECIFIED TOLERANCES



东莞市汉博电子科技有限公司
DONGGUAN HANBO TECHNOLOGY CO., LTD

DECIMALS: ANGLES:
X ±0.30 X ±2°
X.X ±0.20 X.X ±1°
X.XX ±0.10

TITLE	MINI USB 5P/F90° SMT (B型弯脚)			
DWN	xiong	PART NO. MINI-503W		
CHKD	lee	SCALE:1:1	UNIT: mm	⊕ ↺
APVD	wang	SIZE: A4	SHEET:10F 1	REV: A4

CUSTOMER COPY