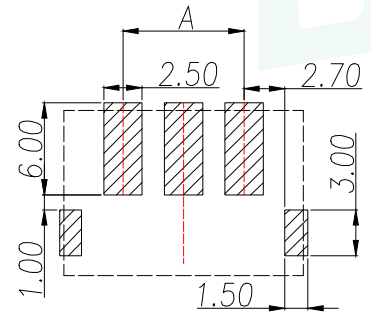
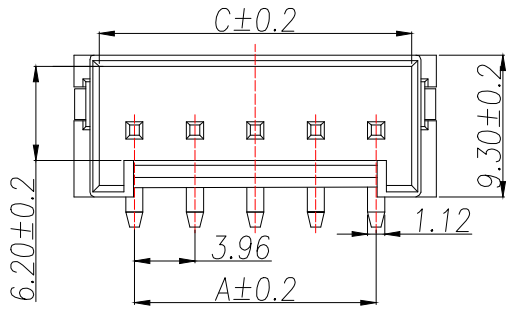
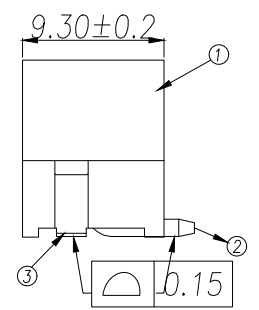
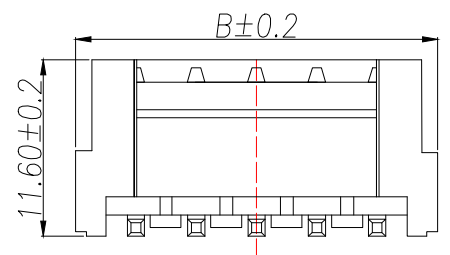
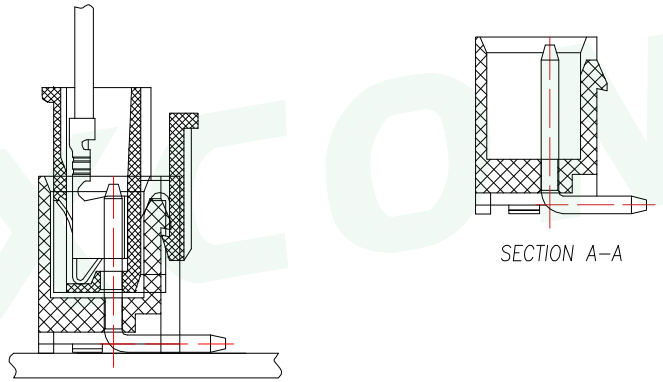


REV.	DESCRIPTION	ECN NO.	NAME	DATE



- 技术要求:
1. 塑件材料:LCP(UL-94V-0)
  2. 接触件:黄铜镀锡
  3. 接触电阻:<30mΩ
  4. 绝缘电阻:>1000MΩ
  5. 额定电压:250V AC DC
  6. 额定电流:7.0A AC DC
  7. 耐压:能承受1000V AC/Minute
  8. 工作温度:-25°~+85°
  9. 可焊性试验:浸锡面积>95%温度260, 时间2.5±0.5秒
  10. 铅和铜等六大有害物质含量要符合环保要求.



SUGGESTED PCB LAYOUT  
(COMPONENT SIDE)

Part No	Pin	A	B	C
WF-1E396A2P	2	3.96	11.88	8.60
WF-1E396A3P	3	7.92	15.84	12.56
WF-1E396A4P	4	11.88	19.80	16.52
WF-1E396A5P	5	15.84	23.76	20.48
WF-1E396A6P	6	19.80	27.72	24.44
WF-1E396A7P	7	23.76	31.68	28.40
WF-1E396A8P	8	27.72	35.64	32.36
WF-1E396A9P	9	31.68	39.60	36.32
WF-1E396A10P	10	35.64	43.56	40.28

3	焊片 Fitting Nail	黄铜	2	电镀(锡):整个表面镀底镍 30u"MIN,再镀锡80u"MIN
2	端子 Contact	黄铜	N*1	电镀(锡):整个表面镀底镍 30u"MIN,再镀锡80u"MIN
1	基座 Wafer	LCP (UL94V-0)	1	米色
序号	名称	材料	数量	备注

GENERAL TOLERANCE		DONGGUAN BAOXUN PRECISION TECHNOLOGY CO., LTD			
DIM.	TOL.	TITLE: 线对板针座 VH3.96 立式贴片			
X		DWG. NO.: WF-1E396ANP		DRAWN: MAX	
X.X	±0.30	PART NO.: WF-1E396ANP		CHECKED: ELLA	
X.XX	±0.25	UNIT: mm		APPROVED: WILL	
X.XXX	±0.15	SCALE: none	SHEET: 1 of 1	DWG. SIZE: A4	LAYER: bxconn
GENERAL ANGLE:	±3°				

