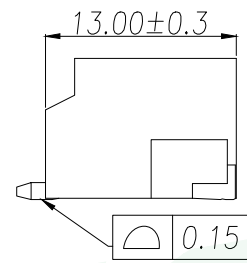
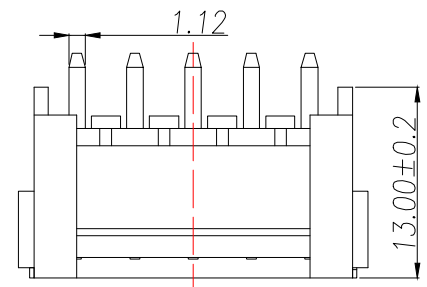
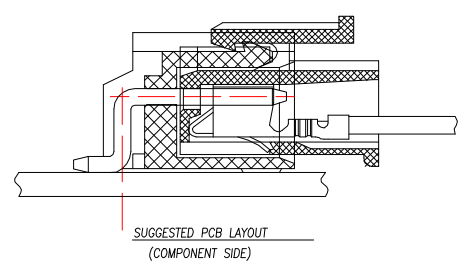
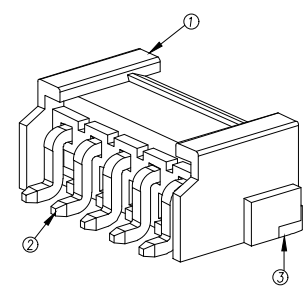
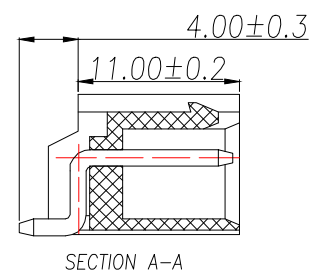
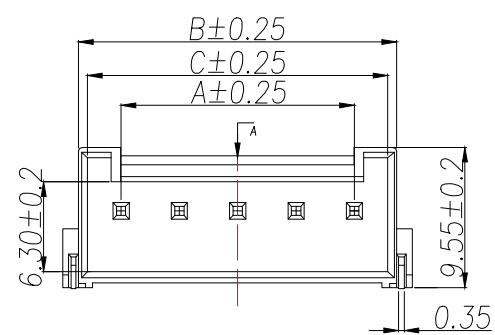
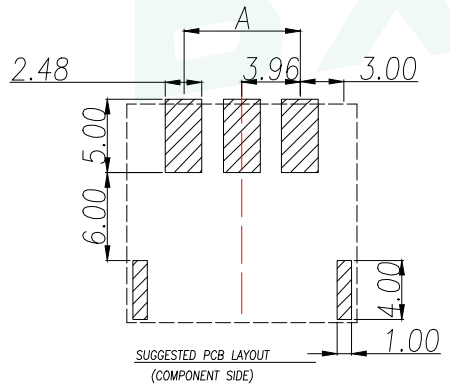


REV.	DESCRIPTION	ECN NO.	NAME	DATE



- 技术要求:
1. 塑件材料:LCP(UL-94V-0)
 2. 接触件:黄铜镀锡
 3. 接触电阻:<30mΩ
 4. 绝缘电阻:>1000MΩ
 5. 额定电压:250V AC DC
 6. 额定电流:7.0A AC DC
 7. 耐压:能承受1000V AC/Minute
 8. 工作温度:-25~+85°
 9. 可焊性试验:浸锡面积>95%温度260. 时间2.5±0.5秒
 10. 铅和铜等六大有害物质含量要符合环保要求.

Part No	Pin	A	B	C
WF-1F396A2P	2	3.96	9.80	8.60
WF-1F396A3P	3	7.92	13.76	12.56
WF-1F396A4P	4	11.88	17.72	16.52
WF-1F396A5P	5	15.84	21.68	20.48
WF-1F396A6P	6	19.80	25.64	24.44
WF-1F396A7P	7	23.76	29.60	28.40
WF-1F396A8P	8	27.72	33.56	32.36
WF-1F396A9P	9	31.68	37.52	36.32
WF-1F396A10P	10	35.64	45.44	40.28



GENERAL TOLERANCE	DONGGUAN BAOXUN PRECISION TECHNOLOGY CO., LTD				
DIM. TOL.	TITLE: 线对板针座 VH3.96 卧式贴片				
X ±0.30	DWG. NO.: WF-1F396ANP		DRAWN: MAX		
X.X ±0.25	PART NO.: WF-1F396ANP		CHECKED: ELLA		
X.XX ±0.15	UNIT: mm		SCALE: none	SHEET: 1 of 1	DWG. SIZE: A4
X.XXX ±0.15	LAYER: bxconn		APPROVED: WILL		
GENERAL ANGLE: ±3°					

