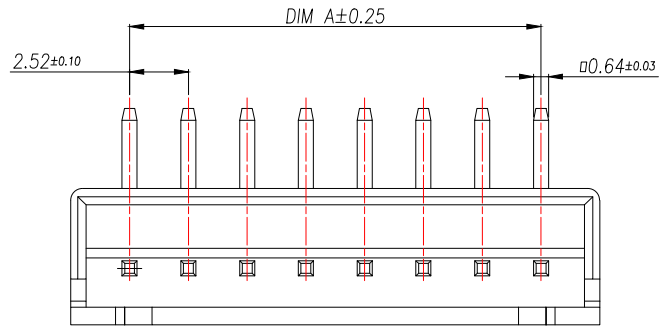


REV.	DESCRIPTION	ECN NO.	NAME	DATE

1

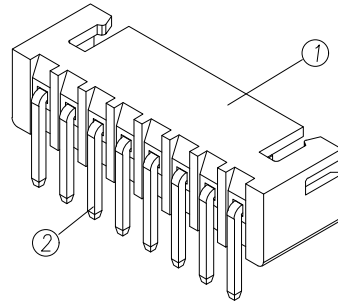


技术要求:

1. 塑料材料: PA66 (UL-94V-0)
2. 接触件: 黄铜镀锡
3. 接触电阻: $\le 10m\Omega$
4. 绝缘电阻: $\ge 1000M\Omega$
5. 额定电压: 250V AC DC
6. 额定电流: 3.0A AC DC
7. 耐压: 能承受 1000V AC/Minute
8. 工作温度: $-25^{\circ}\sim+85^{\circ}$
9. 可焊性试验: 浸锡面积 > 95% 温度 $235^{\pm 5}_{\circ}$, 时间 2.5 ± 0.5 秒
10. 铅和铜等六大有害物质含量要符合环保要求

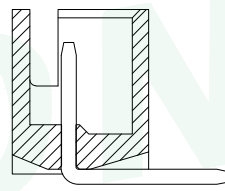
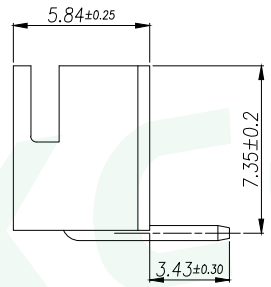
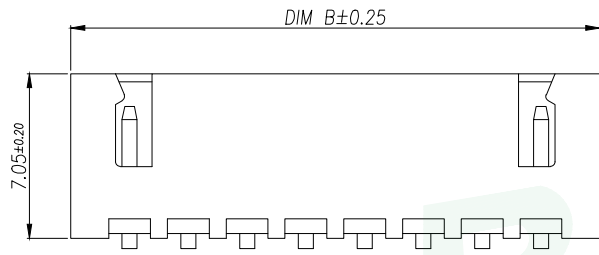
PRELIMINARY
DESIGN IS SUBJECT
TO CHANGE WITHOUT
PRIOR NOTICE

2



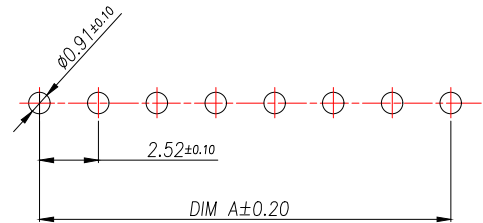
Part No	PIN	A	B
WF-1B254A2P	2	2.5	7.5
WF-1B254A3P	3	5.0	10.0
WF-1B254A4P	4	7.5	12.5
WF-1B254A5P	5	10.0	15.0
WF-1B254A6P	6	12.5	17.5
WF-1B254A7P	7	15.0	20.0
WF-1B254A8P	8	17.5	22.5
WF-1B254A8P	9	20.0	25.0
WF-1B254A9P	10	22.5	27.5
WF-1B254A11P	11	25.0	30.0
WF-1B254A12P	12	27.5	32.5
WF-1B254A13P	13	30.0	35.0
.....
WF-1B254A20P	20	(20-1)*2.5	(20+1)*2.5

3



SECTION A-A

4



SUGGESTED PCB LAYOUT
(COMPONENT SIDE)

5

2	Contact	Brass	n*1	电镀(锡): 整个表面镀成锡30u"MIN,再镀锡80u"MIN.						
1	Wafer	PA66(UL94V-0)	1	本色						
序号	名称	材料	数量	附注						
GENERAL TOLERANCE		DONGGUAN BAOXUN PRECISION TECHNOLOGY CO., LTD								
DIM. TOL.		TITLE: WAFER 2.54mm H7.0mm 90° DIP								
X ±0.30		<table border="1" style="width:100%; border-collapse: collapse;"> <tr> <td style="width:50%;">DWG. NO.: WF-1B254ANP</td> <td style="width:50%;">DRAWN: MAX</td> </tr> <tr> <td>PART NO.: WF-1B254ANP</td> <td>CHECKED: ELLA</td> </tr> <tr> <td>UNIT: mm</td> <td>APPROVED: WILL</td> </tr> </table>			DWG. NO.: WF-1B254ANP	DRAWN: MAX	PART NO.: WF-1B254ANP	CHECKED: ELLA	UNIT: mm	APPROVED: WILL
DWG. NO.: WF-1B254ANP	DRAWN: MAX									
PART NO.: WF-1B254ANP	CHECKED: ELLA									
UNIT: mm	APPROVED: WILL									
X.XX ±0.25										
X.XXX ±0.15										
GENERAL ANGLE: ±3°										