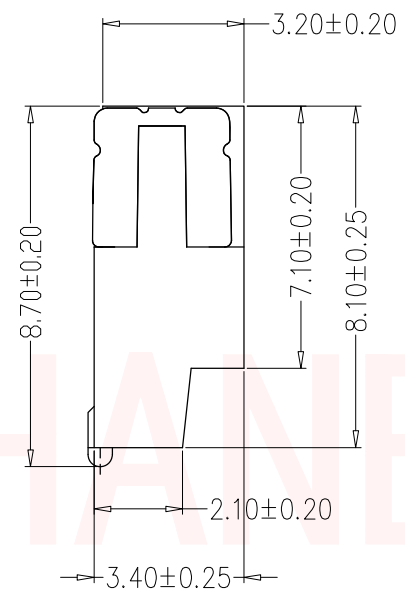
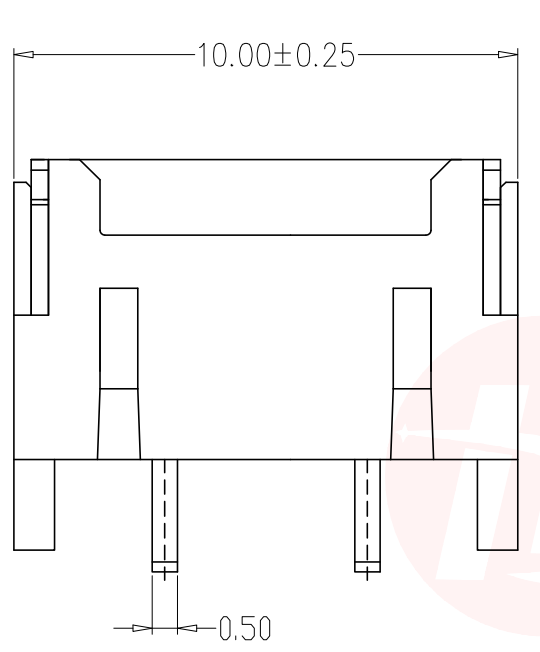


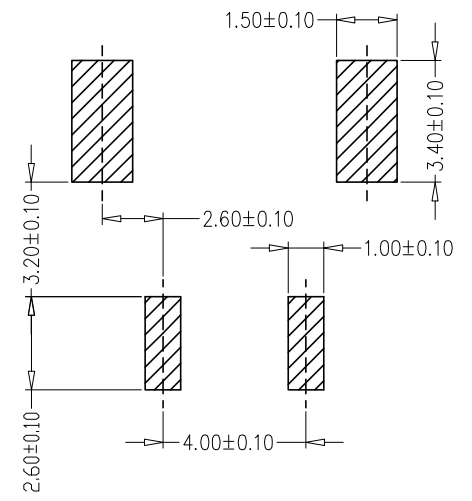
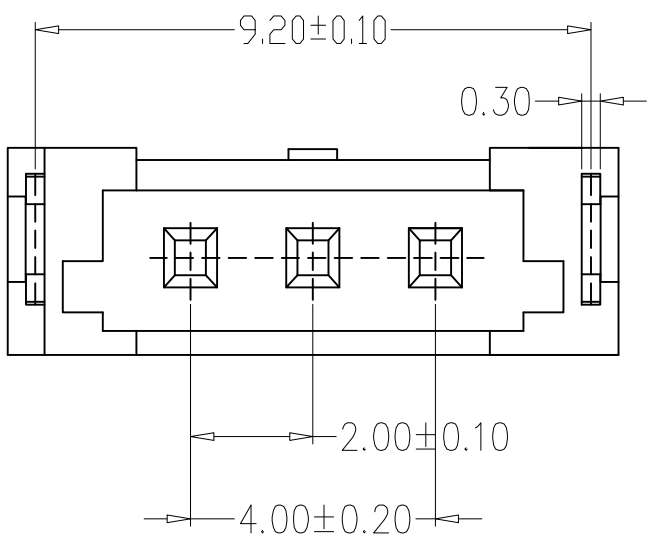


REV.	ECN NO OR DESCRIPTION	REVISED	DATE



SPECIFICATIONS

- 1、Current Rating: 1A AC, DC
- 2、Voltage Rating: 1400V AC, DC
- 3、Temperatuer Range: -25°C~+85°C
- 4、Contact Resistance: 20mΩ Max
- 5、Insulation Resistance: 1000MΩ Min
- 6、Withstanding Voltang: 1800V AC/minute
- 7、Material: Wafer Nylon6T, UL94V-0
PIN Brass Tin-plated
Solder tad Phosphoric bronze Tin-plated



PCB LAYOUT

UNLESS OTHERWISE SPECIFIED TOLERANCES
 DECIMALS: X :±0.30 X.X :±0.20 X.XX :±0.10
 ANGLES: X :±2° X.X :±1°

东莞市汉博电子科技有限公司 DONGGUAN HANBO TECHNOLOGY CO., LTD				
TITLE	BH 4.0 卧贴 WAFER SMT TYPE			
DWN	xiong	PART NO. WAFER-BH40-3A2T		
CHKD	lee	SCALE:1:1	UNIT: mm	
APVD	wang	SIZE: A4	SHEET:10F 1	REV: A4
CUSTOMER COPY				