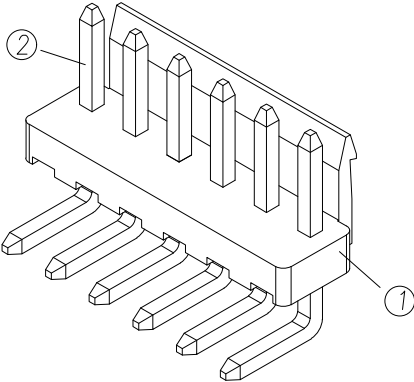
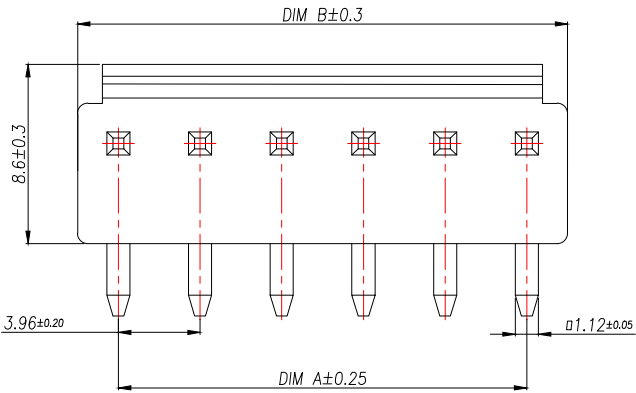


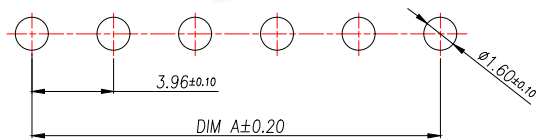
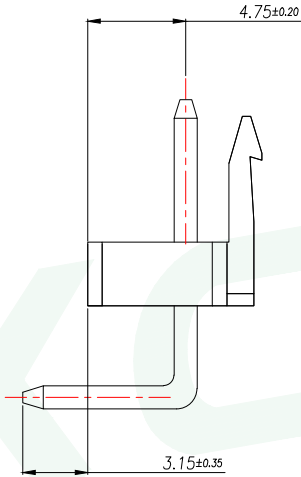
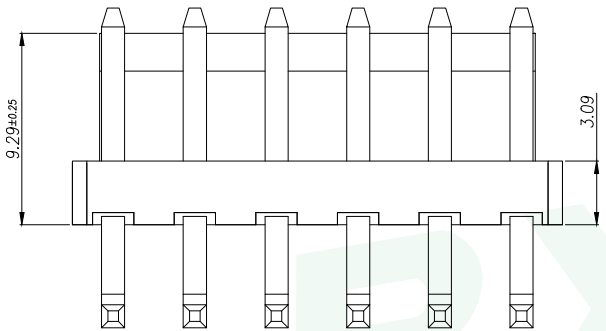
A		B		C		D		E	
REV.	DESCRIPTION				ECN NO.	NAME	DATE		

PRELIMINARY
DESIGN IS SUBJECT
TO CHANGE WITHOUT
PRIOR NOTICE

Part No	PIN	A	B
WF-1B396A2P	2	3.96	7.92
WF-1B396A3P	3	7.92	11.88
WF-1B396A4P	4	11.88	15.84
WF-1B396A5P	5	15.84	19.80
WF-1B396A6P	6	19.80	23.76
WF-1B396A7P	7	23.76	27.72
WF-1B396A8P	8	27.72	31.68
WF-1B396A9P	9	31.68	35.64
WF-1B396A10P	10	35.64	39.60
WF-1B396A11P	11	39.60	43.56
WF-1B396A12P	12	43.56	47.52
WF-1B396A13P	13	47.52	51.48
...
WF-1B396A20P	20	(20-1)×3.96	20×3.96



- 技术要求:
- 1、塑件材料:PA66 (UL-94V-0)
 - 2、接触件:黄铜镀锡
 - 3、接触电阻: $\leq 20m\Omega$
 - 4、绝缘电阻: $\geq 1000M\Omega$
 - 5、额定电压:250V AC DC
 - 6、额定电流:7.0A AC DC
 - 7、耐压:能承受1000V AC/Minute
 - 8、工作温度: $-25^{\circ}\sim +85^{\circ}$
 - 9、可焊性试验:浸锡面积 > 95% 温度 $220 \pm 5^{\circ}$, 时间 2.5 ± 0.5秒
 - 10、铅和镉等六大有害物质含量要符合环保要求



SUGGESTED PCB LAYOUT
(COMPONENT SIDE)

2	Contact	Brass	n*1	电镀(锡): 整个表面镀层30u"MIN,再镀锡80u"MIN.
1	Wafer	PA66(UL94V-0)	1	白色
序号	名称	材料	数量	附注

GENERAL TOLERANCE		DONGGUAN BAOXUN PRECISION TECHNOLOGY CO., LTD			
DIM.	TOL.	TITLE: WAFER 3.96mm 180°SMT			
X		DWG. NO.: WF-1B396ANP		DRAWN: MAX	
X.X	±0.30	PART NO.: WF-1B396ANP		CHECKED: ELLA	
X.XX	±0.25	APPROVED: WILL			
X.XXX	±0.15	UNIT: mm	SCALE: none	SHEET: 1 of 1	DWG. SIZE: A4
GENERAL ANGLE:	±3°	LAYER: bxconn			

