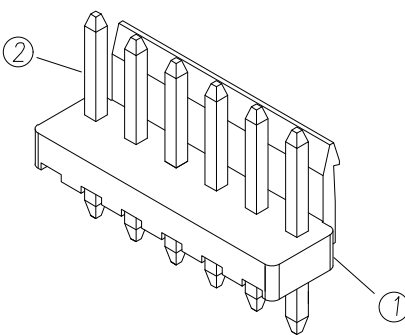
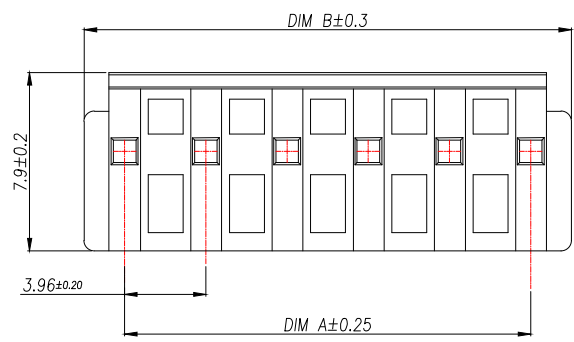


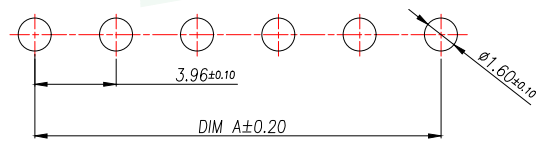
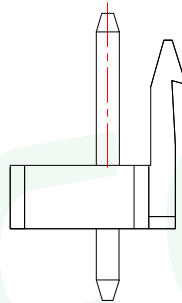
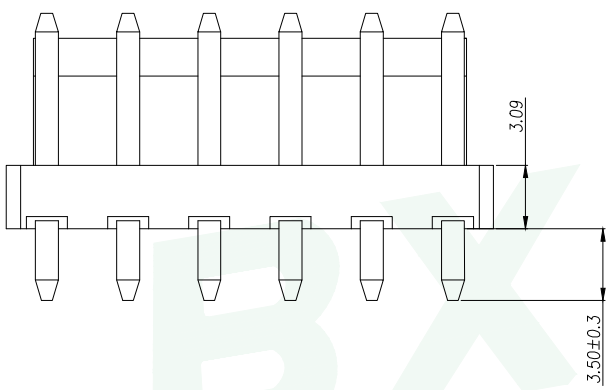
REV.	DESCRIPTION	ECN NO.	NAME	DATE

PRELIMINARY  
DESIGN IS SUBJECT  
TO CHANGE WITHOUT  
PRIOR NOTICE



Part No	PIN	A	B
WF-1A396A2P	2	3.96	7.92
WF-1A396A3P	3	7.92	11.88
WF-1A396A4P	4	11.88	15.84
WF-1A396A5P	5	15.84	19.80
WF-1A396A6P	6	19.80	23.76
WF-1A396A7P	7	23.76	27.72
WF-1A396A8P	8	27.72	31.68
WF-1A396A9P	9	31.68	35.64
WF-1A396A10P	10	35.64	39.60
WF-1A396A11P	11	39.60	43.56
WF-1A396A12P	12	43.56	47.52
WF-1A396A13P	13	47.52	51.48
...	...	...	...
WF-1A396A20P	20	(20-1)*3.96	20*3.96

- 技术要求:
- 1、塑件材料:PA66 (UL-94V-0)
  - 2、接触件:黄铜镀锡
  - 3、接触电阻: ≤20mΩ
  - 4、绝缘电阻: ≥1000MΩ
  - 5、额定电压:250V AC DC
  - 6、额定电流:3.0A AC DC
  - 7、耐压:能承受1000V AC/Min ute
  - 8、工作温度:-25°~~+85°
  - 9、可焊性试验:浸锡面积≥95%温度235±5°,时间 2.5±0.5秒
  - 10、铅和镉等六大有害物质含量要符合环保要求



SUGGESTED PCB LAYOUT  
(COMPONENT SIDE)

2	Contact	Brass	n*1	电镀(锡):整个表面镀成镍30u"MIN,再镀锡80u".MIN.
1	Wafer	PA66(UL94V-0)	1	白色
序号	名称	材料	数量	备注

GENERAL TOLERANCE		DONGGUAN BAOXUN PRECISION TECHNOLOGY CO., LTD			
DIM.	TOL.	TITLE: WAFER 3.96mm H3.0mm 180° DIP			
X		DWG. NO.: WF-1A396ANP			
X.X	±0.30	DRAWN: MAX			
X.XX	±0.25	CHECKED: ELLA			
X.XXX	±0.15	PART NO.: WF-1A396ANP			
GENERAL ANGLE: ±3°		APPROVED: WILL			
UNIT:	SCALE:	SHEET:	DWG. SIZE:	LAYER:	
mm	none	1 of 1	A4	bxconn	