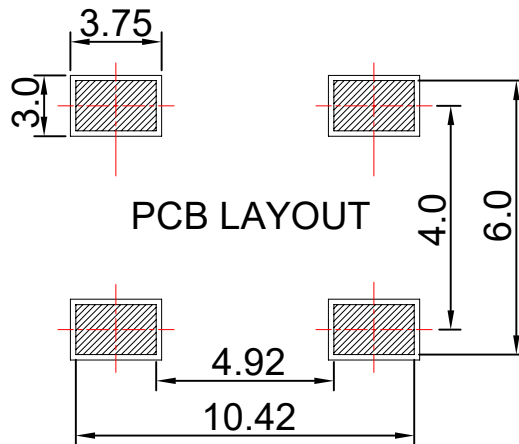
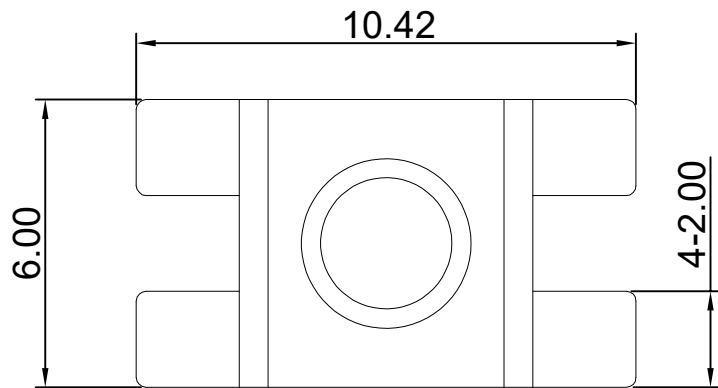


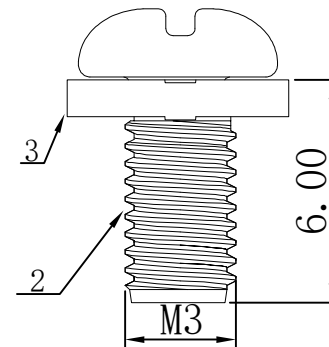
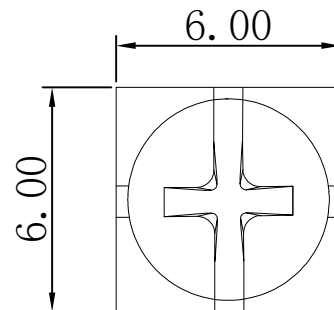
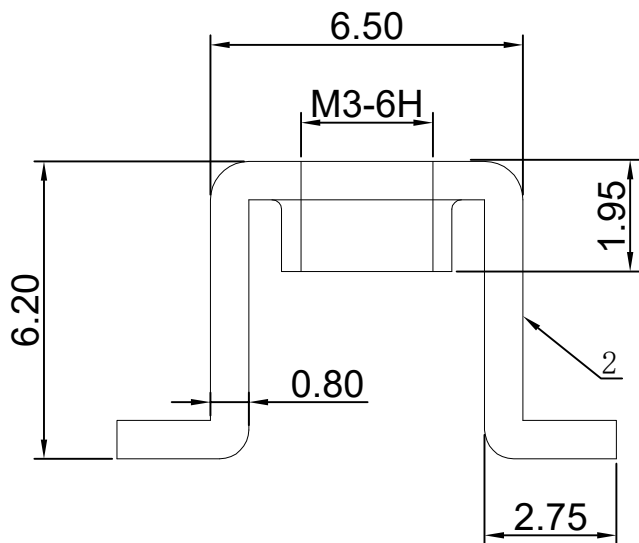
RoHS

REV	ECN NO.	DESCRIPTION	DESIGN	APPROVAL	DATE
A1	NEW	更换图框			2023.11.25



技术要求:

- 1.打铜底0.5-1 μ m,镍2-2.5 μ m, 镀雾锡3-5 μ m。
- 2.铆好后不得有松动现象。
- 3.插脚尖部符合可焊性要求。
- 4.螺纹需符合通止规/止针要求。
- 5.螺纹扭矩: 0.6Nm.
- 6.额定电流: 50A.



3	垫片		SPCC	1
2	螺丝		SPCC	1
1	插脚		H62 (Y2)	1
序号	名称	零件编号	材质	数量

>30.±0.4	X.°±	PART NO: TS34031	XFCN 兴飞连接器	
6-30±0.3	.X°±			
0-6±0.2	.XX°±			
ANGLES±1°	.XXX°±			
UNITS:	mm	TITLE: PCB SOLDERING TERMINAL	0769-82001899	
THESE DRAWINGS AND SPECIFICATIONS ARE THE PROPERTY OF XFCN AND SHALL NOT BE REPRODUCED, COPIED OR CUED IN ANY MANNER WITHOUT THE PRIOR WRITTEN CONSENT OF XFCN		APPD	Chen ZhiQiang	
		CHKD	Liu Wei	
		DRAW	Chen HongJiang	
		DATE	2024.04.23	
			VIEW	
			SCALE	SHEET
				REV
			NONE	1/1
				A1

DWG NO:		/	
APPD	Chen ZhiQiang	VIEW	
CHKD	Liu Wei	SCALE	SHEET
DRAW	Chen HongJiang		REV
DATE	2024.04.23	NONE	1/1
			A1