

Signal Relay Series 信号继电器系列 -- BSC

FEATURES特点

- 2A Amps super miniature relay
2A超小型继电器
- 750V dielectric strength (between coil and contacts)
线圈与触点间介质耐压750V
- 1 Form C configurations
具有一组转换触点形式
- Overall dimensions (12.3X7.4X10.1)mm
外形尺寸 (12.3X7.4X10.1) mm



CONTACT PARAMETERS触点参数

Contact Form触点形式	C-1Form C
Rating Load (Resistive) 额定负载 (阻性)	2A 125VAC/30VDC
Max. Switching Current 最大切换电流	2A
Max. Switching Voltage 最大切换电压	250VAC
Max. Switching Power 最大切换功率	750VA/90W

CHARACTERISTICS性能参数

Contact Materials触点材料	Ag Alloy银合金	
Contact Resistance接触电阻	50 mΩ Max	
Operate Time吸合时间	5ms.Max	
Release Time释放时间	5ms.Max	
Insulation Resistance绝缘电阻	100MΩ Min.(DC500V)	
Initial Dielectric Strength介质耐压	between open contacts: 触点与触点间:	AC500V,50/60Hz 1Min
	between contacts and coil: 触点与线圈间:	AC750V,50/60Hz 1Min
Vibration Resistance抗振动	Damage limits: 耐久:	10~55Hz Double Amplitude双振幅1.5mm
	Malfunction: 误动作:	10~55Hz Double Amplitude双振幅1.5mm
Shock Resistance抗冲击	Damage limits: 耐久:	100G Min
	Malfunction: 误动作:	10G Min
Life寿命	Mechanical Life (10800 per hour) 机械寿命 (每小时10800次)	1×10 ⁷
	Electrical Life (1800 per hour) 电气寿命 (每小时1800次)	1×10 ⁵
Ambient Temperature环境温度	-40 °C ~ +70 °C (No condensation) (不冷凝)	
Unit Weight单位重量	约Approx.2.2g	

COIL RATINGS (at23°C) 线圈参数 (在23°C)

Coil Nominal Voltage 额定电压 (VDC)	Nominal Current 额定电流 ±10(mA)	Coil Resistance 线圈电阻 ±10% (Ω)	Max. Continuous Voltage 最大连续外加电压	Pick-Up Voltage 吸合电压 (Max)	Drop-Out Voltage 释放电压 (Min)	Rated power 额定功率
3	50.00	60	Coil Nominal Voltage 150% 额定电压的 150%	Coil Nominal Voltage 75% 额定电压的 75%	Coil Nominal Voltage 10% 额定电压的 10%	0.15 W
5	30.12	166				
6	25.00	240				
9	16.67	540				
12	12.50	960				
24	6.25	3,840				
3	66.67	45	Coil Nominal Voltage 150% 额定电压的 150%	Coil Nominal Voltage 75% 额定电压的 75%	Coil Nominal Voltage 5% 额定电压的 5%	0.20 W
5	40.00	125				
6	33.33	180				
9	22.22	405				
12	16.67	720				
24	8.33	2,880				

ORDERING INFORMATION 订货标记

BSC - SS - 1 12 L - (XXX)					
1	2	3	4	5	6
1. Model Number 基本型号 BSC	2. Encapsulation form: S-Plastic Sealed SH:Fluk proofed 封装形式: S-塑封型 SH-防助焊剂型		4. Coil Voltage 线圈规格 (VDC): DC3V, DC5V, DC6V, DC9V, DC12V, DC24V		
3. Contact Form: 1-1 Form C 触点形式: 1-1组转换			5. Coil Power: L - sensitive type (0.15W), D - standard type (0.2W) 线圈功率: 无-标准型 (0.2W), L-灵敏型 (0.15W)		
			6. Customer Special Code: XXX - Customer Special Requirements No - Standard Type 客户特性号: XXX-客户特殊要求, 无-标准型		

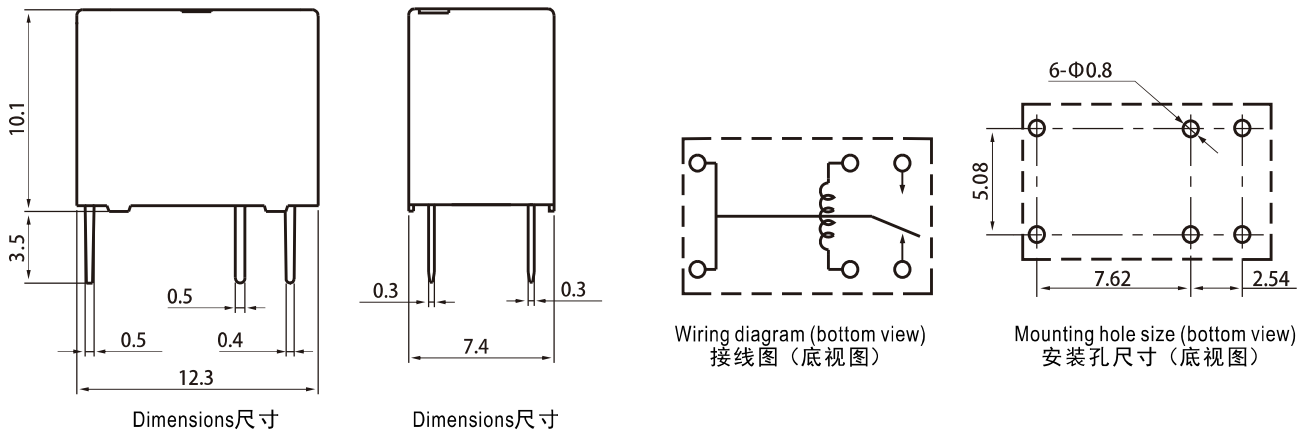
SAFETY STANDARD 安规认证

AuthType Basic 认证类别	UL
Authentication Load 认证负载	2A 125VAC 2A 24VDC

TYPICAL USE 典型用途

- Automatic control, Communication equipment, Modem, Computer peripherals, Etc.
- 自动控制, 通讯设备, 调制解调器、电脑周边设备等。

OUTLINE DIMENSIONS (UNIT:mm)外形尺寸 (单位: mm)

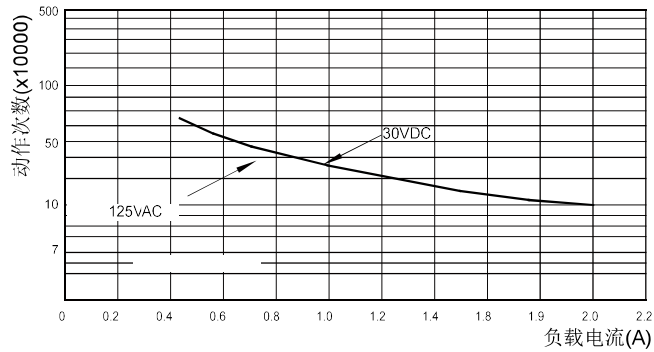


Undimensioned tolerance: <1mm: ±0.2mm 1~5mm: ±0.3mm >5mm: ±0.4mm
 未标注尺寸公差: <1mm: ±0.2mm 1~5mm: ±0.3mm >5mm: ±0.4mm

Note: 1.The size of the lead foot is pre welding dimension. 注: 1、引出脚尺寸为预焊前尺寸
 2.installation hole size tolerance: +0.1mm 2、安装孔尺寸公差: ±0.1mm

PERFORMANCE CHART性能曲线图

电耐久性曲线



测试条件:
 阻性负载, 1s通9s断。