

Automotive Relay Series 汽车继电器系列 -- JQX-V7H

FEATURES 特点

- Up to 80A contact switching capability
高达80A触点切换能力
- Plastic and flux proof are available
塑封型和防焊剂型可供选择
- Magnetic arc blowing technology
磁吹弧技术
- Special flow guiding structure, which can instantly pass 800A current after the contact is attracted
特殊的导流结构, 吸合后瞬时电流可通过800A
- Outline dimensions (26.4X26.4X24.8) mm.
外形尺寸 (26.4X26.4X24.8) mm。



CONTACT PARAMETERS 触点参数 (at 23°C)

Contact Form 触点形式	A-1组常开		
Rating Load (Resistive) 额定负载 (阻性)	80A 50VDC	50A 80VDC	40A 110VDC
Max. Switching Current 最大切换电流	100A		
Max. Switching Voltage 最大切换电压	110VDC		
Max. Switching Power 最大切换功率	4000W		

CHARACTERISTICS 性能参数

Contact Materials 触点材料	Ag Alloy 银合金		
Contact Resistance 接触电阻	100mΩ Max.		
Operate Time 吸合时间	10msec. Max.		
Release Time 释放时间	7msec. Max.		
Insulation Resistance 绝缘电阻	100MΩ Min. (DC500V)		
Initial Dielectric Strength 介质耐压	Between open contacts: 触点与触点间:	AC750V, 50/60Hz 1Min.	
	Between contacts and coil: 触点与线圈间:	AC750V, 50/60Hz 1Min.	
Vibration Resistance 抗振动	Damage limits: 耐久:	10~55Hz Double Amplitude 双振幅3.0mm	
	Malfunction: 误动作:	10~55Hz Double Amplitude 双振幅3.0mm	
Shock Resistance 抗冲击	Damage limits: 耐久:	18G Min.	
	Malfunction: 误动作:	100G Min.	
Life 寿命	Mechanical Life (18 000 per hour) 机械寿命 (每小时18 000次)	1 × 10 ⁷	
	Electrical Life (900 per hour) 电气寿命 (每小时900次)	40A 110VDC	3 × 10 ⁴
		50A 80VDC	3 × 10 ⁴
Ambient Temperature 环境温度	-40°C ~ +85°C (No condensation) (不冷凝)		
Unit Weight 单位重量	约 30.0g		

COIL RATINGS (at 23°C) 线圈参数 (在 23°C)

额定电压	动作电压	释放电压	最大线圈电压	额定电流	线圈电阻
VDC	VDC	VDC	VDC	× (1 ± 10%) mA	× (1 ± 10%) Ω
12	≤ 7.2	≥ 1.2	20.2	133.3	90
24	≤ 14.4	≥ 2.4	40.5	66.7	360
48	≤ 28.8	≥ 4.8	81	33.3	1440
72	≤ 43.2	≥ 7.2	121.2	22.2	3240

备注： 线圈额定功率约 1.6W，其它线圈功耗请联络业务。

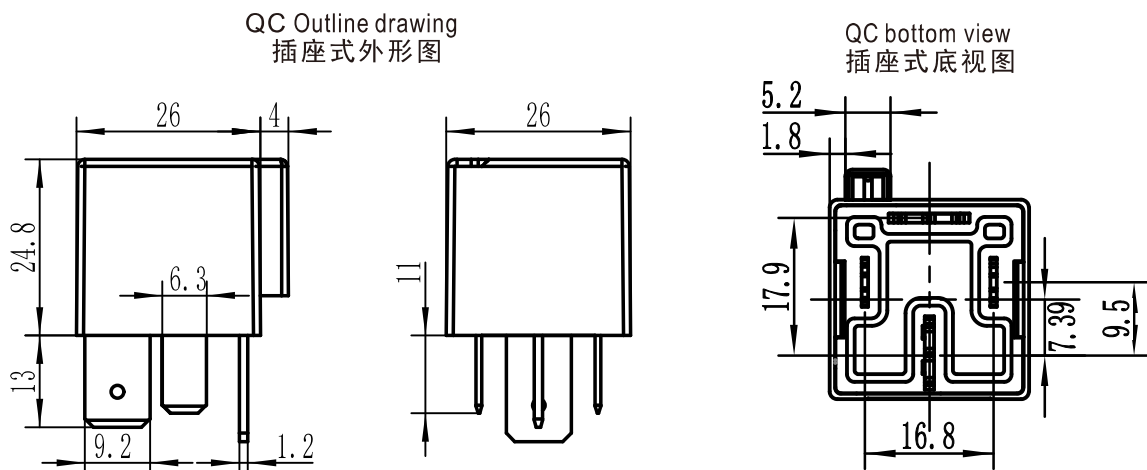
ORDERING INFORMATION 订货标记

JQX-V7H 012 - 1 H P F R N (XXX)									
1	2	3	4	5	6	7	8	9	
1. Model Number 基本型号 JQX-V7H	2. Coil Voltage 线圈规格 (VDC): DC12V, DC24V		3. Number of Pole: 1 : Single pole 开关型式: 1 - 一组开关		4. Contact form: H - 1 Form A 触点形式: H - 1组常开		5. Induces foot position: P - PCB Board Terminal Nil - Solder Lug Terminal 引出脚形式: PCB-PCB引脚 无一快捷端子引脚		6. Bracket: Nil- No Bracket Standard F - Metal Bracket 支架类型: 无一无支架型 F-铁支架
					7. Options: Nil-Standard R-Coil paralel resistor D1/D2 - Coil paralel Diode (详见元件表) 支架类型: 无一标准型 R-线圈并联电阻 D1/D2-线圈并联二极管		8. Coil Power: 无 - 1.6W, N - 2.0W 线圈功率: 无 - 1.6W, N - 2.0W		9. Customer Special Code :XXX- Customer Special Requirements No - Standard Type 客户特性号: XXX-客户特殊要求, 无一标准型

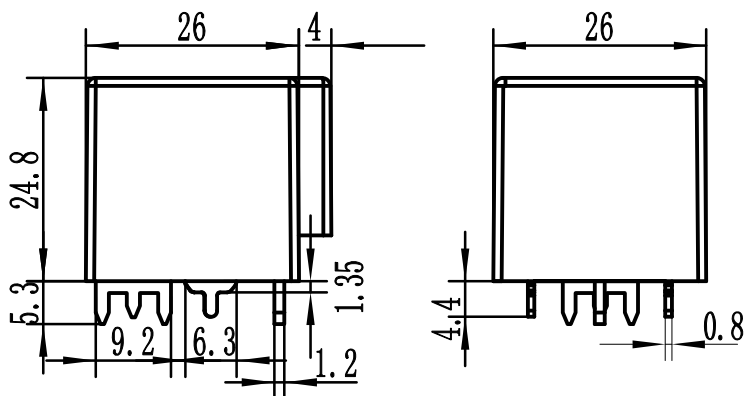
LIST OF RESISTANCE COMPONENTS 电阻元件使用类表

线圈电压 (VDC)	电阻 (Ω)			并联二极管	D1	D2
	R	R1	R2			
12	680	560	470	正极脚位	85	86
24	2700	1200	1000	负极脚位	86	85

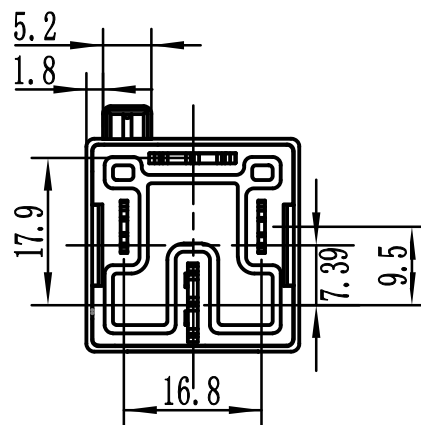
OUTLINE DIMENSIONS (UNIT:mm) 外形尺寸 (单位: mm)



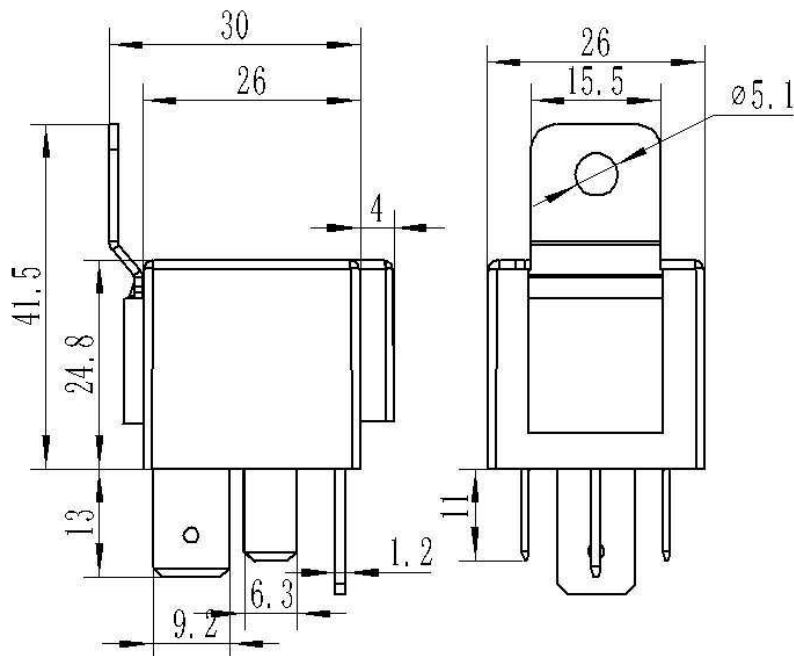
PCB Outline drawing
PCB式外形图



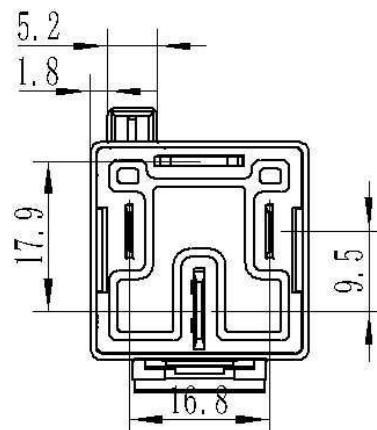
PCB bottom view
PCB式底视图



Bracket Outline drawing
支架式外形图



Bracket bottom view
支架式底视图



Undimensioned tolerance: <1mm: ±0.2mm 1~5mm: ±0.3mm >5mm: ±0.4mm
未标注尺寸公差: <1mm: ±0.2mm 1~5mm: ±0.3mm >5mm: ±0.4mm

Note: 1. The size of the lead foot is pre welding dimension. 注: 1、引出脚尺寸为预焊前尺寸
2. installation hole size tolerance: +0.1mm 2、安装孔尺寸公差: ±0.1mm

Wiring diagram
接线图

