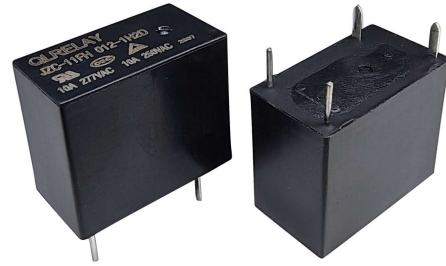


## Power Relay Series 功率继电器系列 -- JZC-11FH

### FEATURES特点

- 10A contact switching capability  
高达10A触点切换能力
- Plastic sealed and flux proofed types  
塑封型与防焊剂型可供选择
- 4kV dielectris strength(between coil and contacts)  
线圈与触点间介质耐压4kV
- Overall dimensions (18.4X10.2X15.5) mm.  
外形尺寸 (18.4X10.2X15.5) mm。



### CONTACT PARAMETERS触点参数

Relay Type 产品型号	JZC-11FH xx-1H2L/D
Contact Form触点形式	1H-1组常开
Rating Load (Resistive) 额定负载 (阻性)	10A 277VAC 10A 125VAC
Max. Switching Current最大切换电流	10A
Max.Switching Voltage最大切换电压	277VAC
Max.Switching Power最大切换功率	2770VA

### CHARACTERISTICS性能参数

Contact Materials触点材料	Ag Alloy银合金	
Contact Resistance接触电阻	100mΩ Max	
Operate Time吸合时间	10ms. Max	
Release Time释放时间	10ms. Max	
Insulation Resistance绝缘电阻	1000MΩ Min.(DC500V)	
Initial Dielectric Strength介质耐压	between open contacts: 触点与触点间:	AC1,000V,50/60Hz 1Min
	between contacts and coil: 触点与线圈间:	AC4,000V,50/60Hz 1Min
Vibration Resistance抗振动	Damage limits: 耐久:	10~55Hz Double Amplitude双振幅1.5mm
	Malfunction: 误动作:	10~55Hz Double Amplitude双振幅1.5mm
Shock Resistance抗冲击	Damage limits: 耐久:	100G Min
	Malfunction: 误动作:	10G Min
Life寿命	Mechanical Life (10800 per hour) 机械寿命 (每小时10800次)	1×10 <sup>7</sup>
	Electrical Life (1800 per hour) 电气寿命 (每小时1800次)	1×10 <sup>5</sup>
Ambient Temperature环境温度	-40℃ ~ +85℃ (No condensation) (不冷凝)	
Unit Weight单位重量	约Approx.6.0g	

## COIL RATINGS (at23°C) 线圈参数 (在23°C)

Coil Nominal Voltage 额定电压 (VDC)	Nominal Current 额定电流 ±10%(mA)	Coil Resistance 线圈电阻 ±10% (Ω)	Max. Continuous Voltage 最大连续外加电压	Pick-Up Voltage 吸合电压 (Max)	Drop-Out Voltage 释放电压 (Min)	Rated power 额定功率
3	150.00	20	Coil Nominal Voltage 130% 额定电压的 130%	Coil Nominal Voltage 75% 额定电压的 75%	Coil Nominal Voltage 10% 额定电压的 10%	About 0.45 W 约0.45W
5	90.00	55				
6	75.00	80				
9	50.00	180				
12	37.00	320				
18	25.00	720				
24	18.75	1280				

Coil Nominal Voltage 额定电压 (VDC)	Nominal Current 额定电流 ±10%(mA)	Coil Resistance 线圈电阻 ±10% (Ω)	Max. Continuous Voltage 最大连续外加电压	Pick-Up Voltage 吸合电压 (Max)	Drop-Out Voltage 释放电压 (Min)	Rated power 额定功率
3	66.70	45	Coil Nominal Voltage 130% 额定电压的 130%	Coil Nominal Voltage 75% 额定电压的 75%	Coil Nominal Voltage 10% 额定电压的 10%	About 0.2 W 约0.2W
5	40.00	125				
6	33.33	180				
9	22.22	405				
12	16.67	720				
18	14.81	1620				
24	8.33	2880				

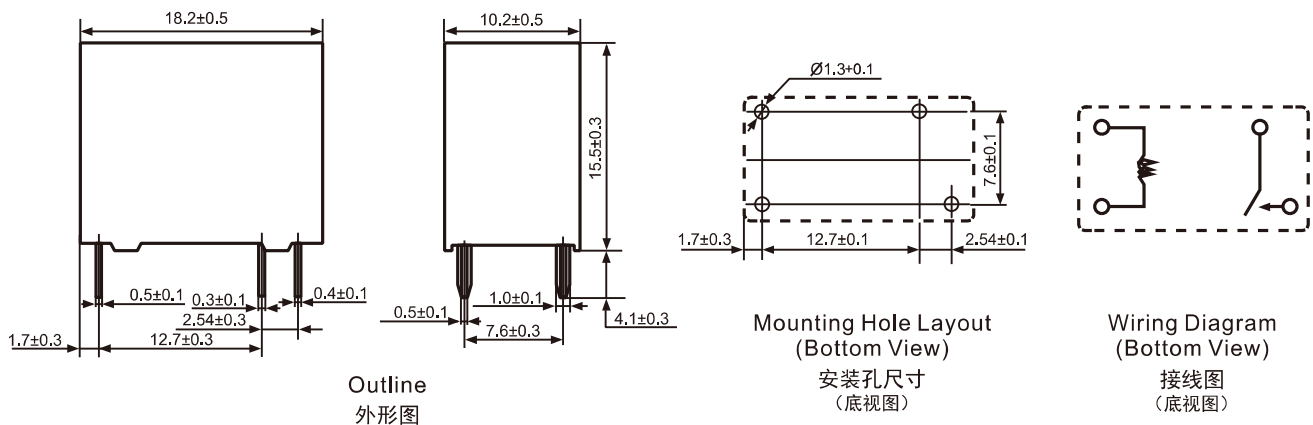
## ORDERING INFORMATION 订货标记

JZC-11FH 012 -1H 2 L (XXX)					
1	2	3	4	5	6
1. Model Number 基本型号 JZC-11FH	2. Coil Voltage 线圈规格 (VDC): DC3V, DC5V, DC6V, DC9V, DC12V, DC18V, DC24V		4. Load current specification: 1 - 20A 2 - 10A 负载电流规格: 1 - 20A 2 - 10A		
3. Contact form: 1H-1FormA 触点形式: 1H-1组常开			5. Coil Power: D-0.45 W, L-0.2W 线圈功率: D-0.45W, L-0.2W		
			6. Customer Special Code: XXX- Customer Special Requirements 特殊型号标记: 无一标准品		

## SAFETY STANDARD 安规认证

AuthType Basic 认证类别	CQC	TUV	UL
Authentication Load 认证负载	10A 250VAC	10A 250VAC	10A 277VAC 10A 125VAC

OUTLINE, WIRING DIAGRAM, MOUNTING HOLE LAYOUT (UNIT: mm) 外形图、接线图、安装孔尺寸(单位:mm)



Undimensioned tolerance:  $< 1\text{mm}: \pm 0.2\text{mm}$   $1 \sim 5\text{mm}: \pm 0.3\text{mm}$   $> 5\text{mm}: \pm 0.4\text{mm}$   
 未标注尺寸公差:  $< 1\text{mm}: \pm 0.2\text{mm}$   $1 \sim 5\text{mm}: \pm 0.3\text{mm}$   $> 5\text{mm}: \pm 0.4\text{mm}$

Note: 1. The size of the lead foot is pre welding dimension. 注: 1、引出脚尺寸为预焊前尺寸  
 2. installation hole size tolerance:  $\pm 0.1\text{mm}$  2、安装孔尺寸公差:  $\pm 0.1\text{mm}$

## TYPICAL USE 典型用途

- Household equipment, Office equipment, Audio, Smart home, Smart socket, Etc..
- 家用设备, 办公设备, 音响, 智能家居, 智能插座等

## PERFORMANCE CHART 性能曲线图

