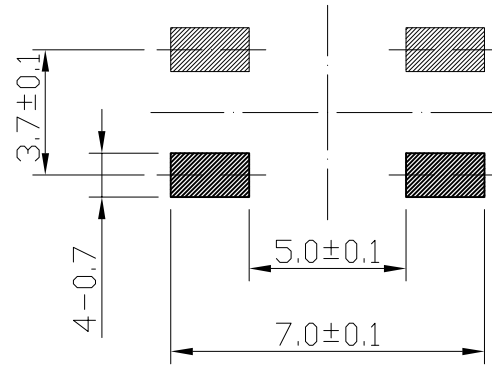
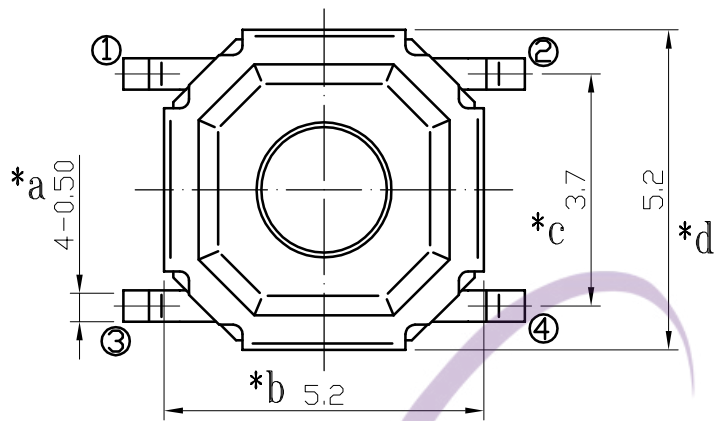
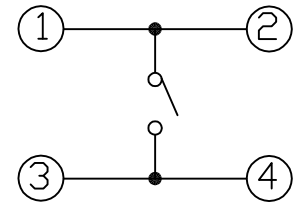
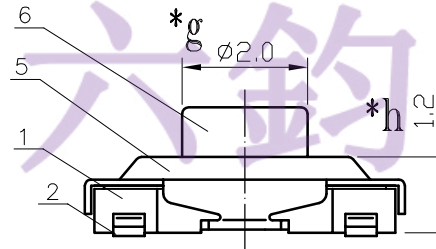
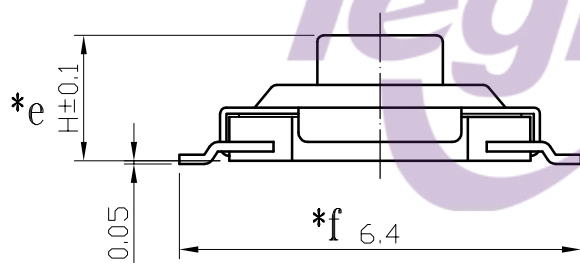


SCHEMATIC



P.C.B LAYOUT
TOP VIEW



H=2.0mm

SPECIFICATION

1. Rating : DC12V 50mA.
2. Contact resistance: ≤100mΩ.
3. Insulation resistance: ≥100MΩ (DC100V).
4. Withstanding voltage: 250VAC .
5. Operating Force: /250±80gf
6. Travel: 0.15±0.1mm.
7. life test: 10,000 cycles.
8. Operation temperature range: -25℃~85℃.
9. Sign "*" is importance dimension.

				TOLERANCE UNLESS SPECIFIED									
6	STEM	BRASS	1		<1.5: ±0.1mm	ANGULAR ±1°	A1	2024.4.9	△ 按实物增加材质PI膜/盖子无电镀	MLQ			
5	COVER	SUS	1	△	>1.5~5.0: ±0.25mm		NO	DATE	REVISIONS	BY	APPD		
4	TAPE	PI △	1	YELLOW	>5.0: ±0.3mm		TITLE: TACT SWITCH UNIT : MM ROHS COMPLIANT DWN						
3	CONTACT	SUS	1	Ag-Plated	MODEL: TS-1187-020E		SCALE: 1:1	CHK'D	APPD				
2	TERMINAL	BRASS	4	Ag-Plated	东莞市六钧电子五金有限公司							APPD	
1	HOUSING	LCP	1	BLACK								PRO.AGL:	REV :A1
NO.	PART NAME	MATERIAL	QTY	FINISHING									