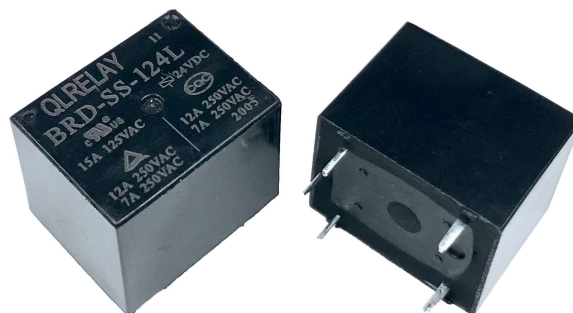


Power Relay Series 功率继电器系列 -- BRD

FEATURES特点

- Up to 15A contact switching capability
高达15A触点切换能力
- 1 Form A and 1 Form C configurations
具有一组常开、一组转换触点形式
- Overall dimensions (19.6X15.4X15.5) mm.
外形尺寸 (19.0X15.4X15.5) mm。



CONTACT PARAMETERS触点参数



Contact Form触点形式	1A-1组常开 1C-1组转换
Rating Load (Resistive) 额定负载 (阻性)	NO: 12A/250VAC 15A/125VAC NC: 7A / 250VAC
Max. Switching Current最大切换电流	15A
Max.Switching Voltage最大切换电压	250VAC
Max.Switching Power最大切换功率	3000VA

CHARACTERISTICS性能参数

Contact Materials触点材料	Ag Alloy银合金	
Contact Resistance接触电阻	100mΩ Max	
Operate Time吸合时间	10ms. Max	
Release Time释放时间	5ms. Max	
Insulation Resistance绝缘电阻	100MΩ Min.(DC500V)	
Initial Dielectric Strength介质耐压	between open contacts: 触点与触点间:	AC 750V,50/60Hz 1Min
	between contacts and coil: 触点与线圈间:	AC1,500V,50/60Hz 1Min
Vibration Resistance抗振动	Damage limits: 耐久:	10~55Hz Double Amplitude双振幅1.5mm
	Malfunction: 误动作:	10~55Hz Double Amplitude双振幅1.5mm
Shock Resistance抗冲击	Damage limits: 耐久:	100G Min
	Malfunction: 误动作:	10G Min
Life寿命	Mechanical Life (10800 per hour) 机械寿命 (每小时10800次)	1×10 ⁷
	Electrical Life (1800 per hour) 电气寿命 (每小时1800次)	1×10 ⁵
Ambient Temperature环境温度	-40°C ~ +85°C (No condensation) (不冷凝)	
Unit Weight单位重量	约Approx.10.0g	

COIL RATINGS (at23°C) 线圈参数 (在23°C)

Coil Nominal Voltage 额定电压 (VDC)	Nominal Current 额定电流 ±10%(mA)	Coil Resistance 线圈电阻 ±10% (Ω)	Max. Continuous Voltage 最大连续外加电压	Pick-Up Voltage 吸合电压 (Max)	Drop-Out Voltage 释放电压 (Min)	Rated power 额定功率
3	120.00	25	Coil Nominal Voltage 130% 额定电压的 130%	Coil Nominal Voltage 75% 额定电压的 75%	Coil Nominal Voltage 10% 额定电压的 10%	About 0.36 W 约0.36W
5	71.42	70				
6	60.00	100				
9	40.00	225				
12	30.00	400				
15	24.00	625				
18	20.00	900				
24	15.00	1,600				
48	7.50	6,400				

ORDERING INFORMATION 订货标记

BRD - SS - 1 12 LM (XXX)					
1	2	3	4	5	6
1. Model Number 基本型号 BRD			5. Contact form: LM-1Form A, LB -1Form B , L -1Form C 触点形式: LM-1组常开, LB-1组常闭, L-1组转换		
2. Encapsulation form: SS -Plastic Sealed 封装形式: SS -塑封型			6. Customer Special Code :XXX- Customer Special Requirements 客户特性号: XXX-客户特殊要求, 无-标准型		
3. Number of Pole: 1 : Single pole 开关型式: 1 — 一组开关					
4. Coil Voltage 线圈规格 (VDC): DC3V, DC5V, DC6V, DC9V, DC12V, DC24V, DC48V					

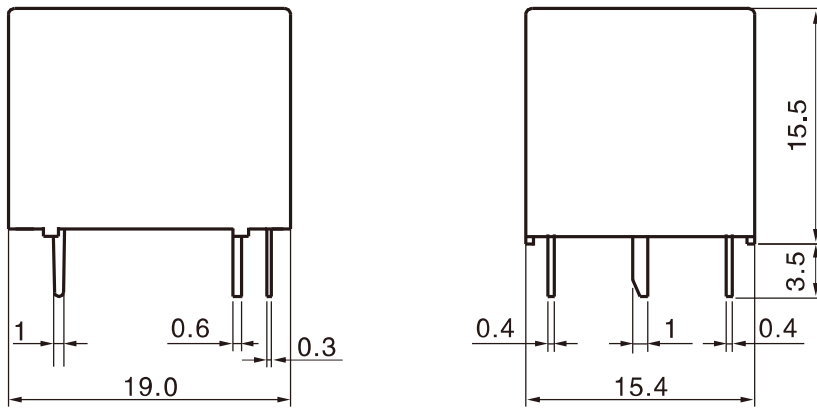
SAFETY STANDARD 安规认证

AuthType Basic 认证类别	UL	TUV	CQC
Authentication Load 认证负载	NO: 15A 125VAC TV-5 125VAC NC: 15A 125VAC	NO: 12A 250VAC 15A 125VAC NC: 7A 250VAC	NO: 12A 250VAC 15A 125VAC NC: 7A 250VAC

TYPICAL USE 典型用途

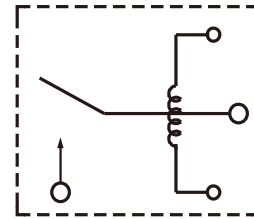
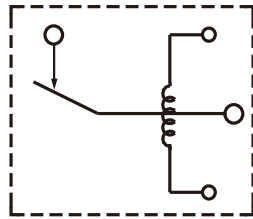
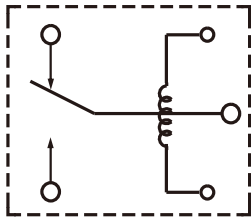
- 家用电器: 空调、电热器等 Vending Machines
- 办公室设备: 电脑、传真机等 Office equipment: Computer, Fax, Etc..
- 智能家居产品 Smart Home Products

OUTLINE DIMENSIONS (UNIT:mm)外形尺寸 (单位: mm)

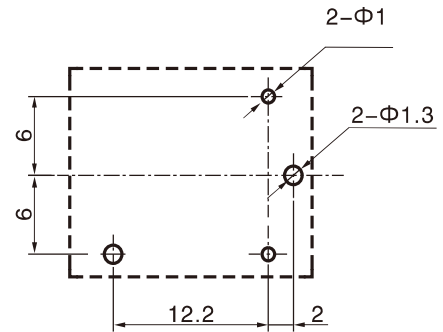
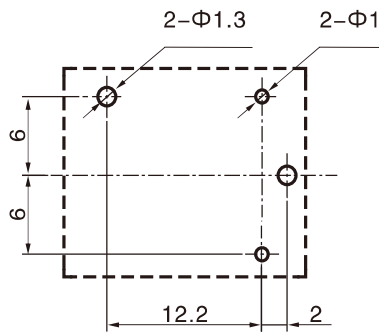
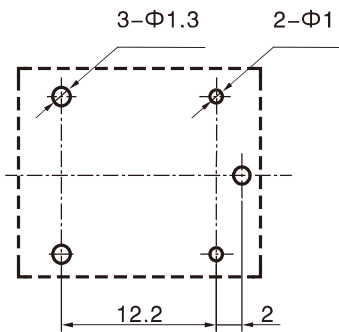


Undimensioned tolerance: <1mm: ±0.2mm 1~5mm: ±0.3mm >5mm: ±0.4mm
 未标注尺寸公差: <1mm: ±0.2mm 1~5mm: ±0.3mm >5mm: ±0.4mm

Note: 1.The size of the lead foot is pre welding dimension. 注: 1、引出脚尺寸为预焊前尺寸
 2.installation hole size tolerance: + 0.1mm 2、安装孔尺寸公差: ±0.1mm



Wiring diagram (bottom view)
接线图 (底视图)



1C

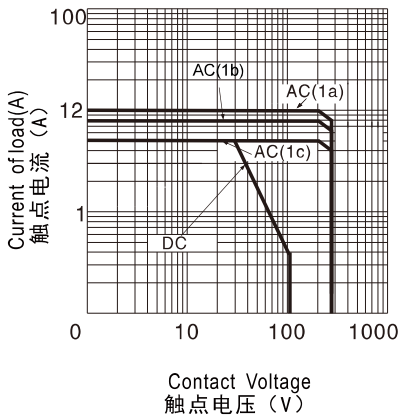
1B

1A

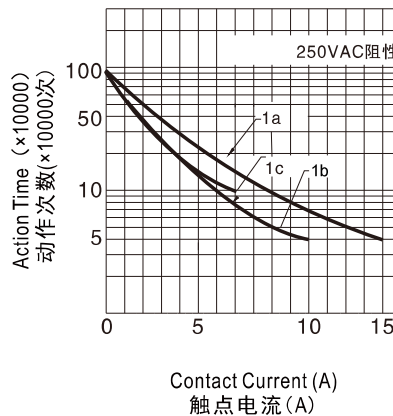
Mounting hole size (bottom view)
安装孔尺寸 (底视图)

PERFORMANCE CHART性能曲线图

Max. operating power
最大切换功率



Life Curve
寿命曲线



Coil temperature rise
线圈温升

