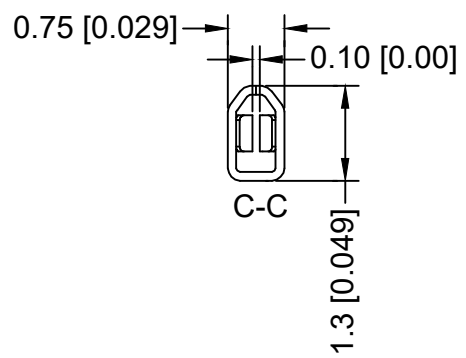
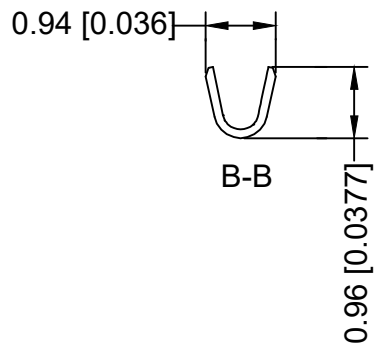
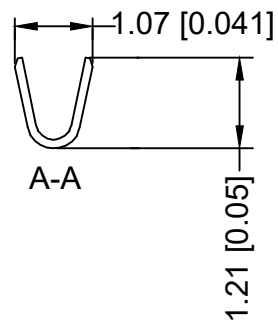
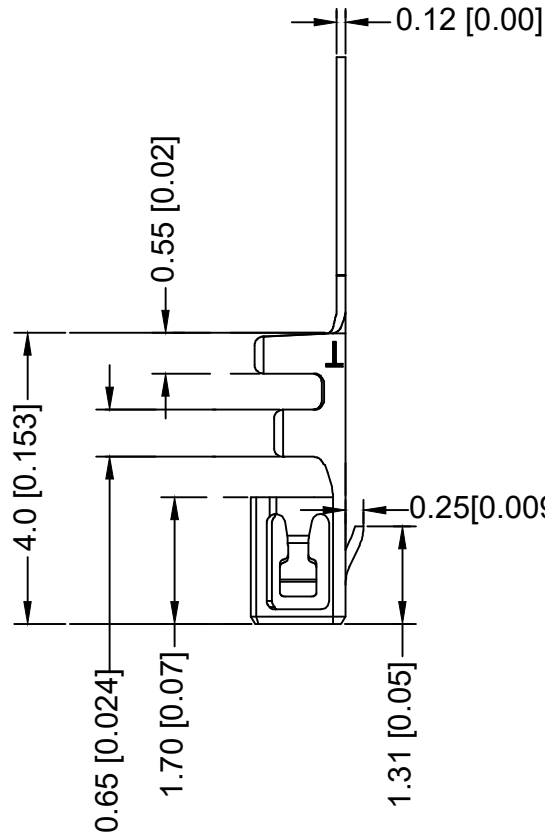
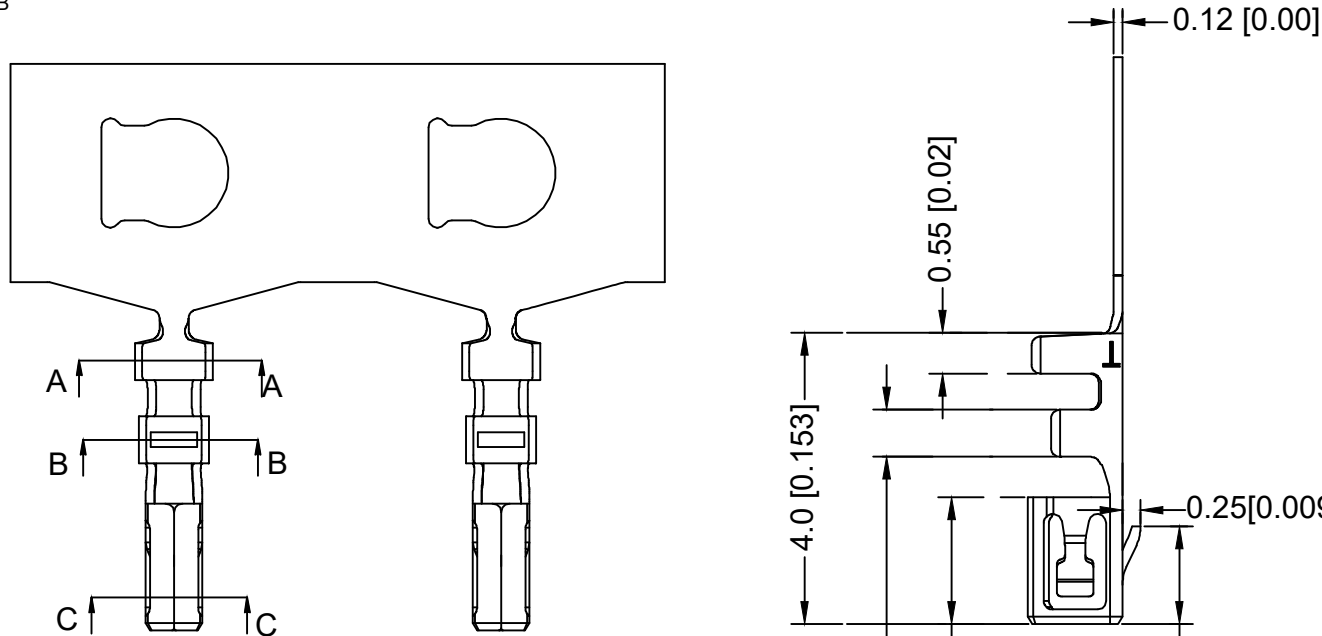


XKB



Specifications:
 规格:
 Voltage rating:50V AC/DC
 额定电压: 50V AC/DC
 Current rating:1A AC/DC
 额定电流: 1A AC/DC
 Withstanding voltage:250V AC/minute
 耐受电压: 250V AC/分钟
 Temperature range:-25°C-+85°C
 温度范围: -25°C-+85°C
 Insulation resistance:≥100MΩ MIN
 绝缘电阻: ≥100MΩ_{XKB}
 Contact resistance:20mΩ MAX
 接触电阻: ≤20mΩ
 Applicable wire Range:AWG#28-#32
 使用线范围: AWG #28-#32

X1004 T-P XX- A
 ① ② ③ ④ ⑤

- 1.Series No.
- 2.Category:T-Terminal
- 3.Material:P-Phosphor bronze
- 4.Plating Style;
 V01-All Gold Flash
 SN-Bright tin Plating 80u";
 120u" Over Nickel
- 5.TYPE:A

X1004T-PXX-A	Phosephor Bronze	X1004T-L	X1004H-L
PART NO	Material	Suitable SWB terminal	SuitableXKB Housing

				XKB	DSND	DATE	SCALE: N/A	MODEL TYPE:		
ΔX				ANGLAR	DWN	DATE	VIEW:	PART NO.:		
ΔX				≤4	CHKD	DATE	UNIT: mm/in	X1004T-PXX-A		
ΔX				4<L≤ 16	APPD	DATE	SIZE: A4	DWG NO.:		
MARK	DESCRIPTION	DATE	REVISED	APPROVED				X-X1004T-PXX-A		
				UNSPECIFIED TOLERANCES	XKB INDUSTRIAL PRECISION CO.,LIMITED			WEIGHT	SHEET	REVISION
								1.0g	1/1	A0