

## H3-MACPCT0030

5-1200MHz 75Ω 16dB Coupler

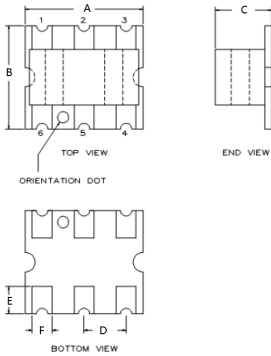
### APPLICATIONS

• Ideally suited for CATV Broadband applications.

### FEATURES

- Surface mount
- 16dB Coupler
- RoHS compliant and Pb free
- Available on tape and reel

### DIMENSIONS

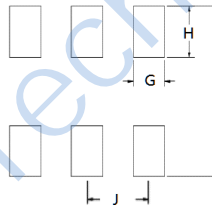


A	B	C
7.11	6.35	4.85Max
D	E	F
2.54	1.50	1.00

Unless otherwise stated dimensions are in mm

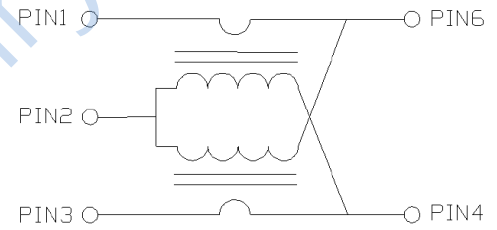
Tolerance: .xx ± 0.25, .xxx ± 0.05

### Land Pattern



G	H	I
1.27	1.75	7.80
J		
2.54		

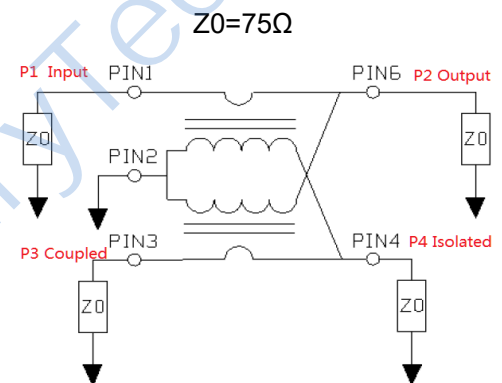
### FUNCTIONAL SCHEMATIC



### PIN CONFIGURATION

Pin No.	Function
1	Input
2	Ground
3	Coupled
4	Isolated
5	Not Connected
6	Output

### APPLICATION & TEST CIRCUIT



### ELECTRICAL SPECIFICATIONS@25°C:

Parameters (P#: ENA PORT)	frequency band	Min.	Typ.	Max.	Unit
Port Impedance, Z0(P1/P2/P3/P4)			75/75/75/75		Ohm
Coupling (pin1-3)	5 - 40 MHz		15.8	16.0	dB
	40-1000MHz		16.0	17.5	dB
	1000-1200MHz		16.2	18.5	dB
Main Line Loss (pin1-6)	5 - 1000 MHz		0.8	1.25	dB
	1000-1200MHz		1.1	1.6	dB
Input Return Loss (pin1)	5 - 40 MHz	20	24		dB
	40-1000MHz	24	27		dB
	1000-1200MHz	22	25		dB
Output Return Loss (pin6)	5 - 40 MHz	20	23		dB
	40-1000MHz	25	30		dB
	1000-1200MHz	20	27		dB
Coupled Return Loss (pin3)	5 - 1000 MHz	20	23		dB
	1000-1200MHz	16	22		dB
Isolation	5 - 1000 MHz	25	27		dB
	1000-1200MHz	23	25		dB

### ABSOLUTE MAXIMUM RATINGS

Parameter	Value
Input RF Power	250mW Max
DC Current	30mA Max
Operating Temperature Range	-40 to 85°C

Tel: +86-28-85589664

E-mail: mr\_li@henglitaitech.com

Web: www.hltchips.com

Address: No.198 Tianqin East Street, Gaoxin West District, Chengdu City

## TEST CURVE

