

H3-MAPD-011007

5-2150MHz 75Ω 2 Way Power Divider

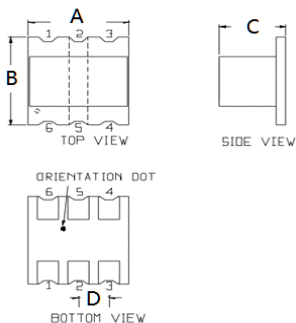
APPLICATIONS

- Ideally suitable for CATV applications.

FEATURES

- Surface mount
- 2 Way 0 degree
- 260°C reflow compatible
- RoHS compliant and Pb free
- Available on tape and reel

DIMENSIONS

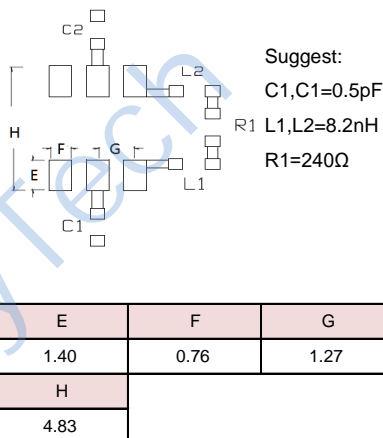


A	B	C
4.30	4.30	3.00
D		
1.27		

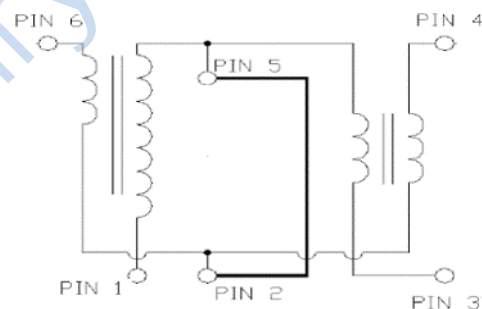
Unless otherwise stated dimensions are in mm

Tolerance: .xx ± 0.25, .xxx ± 0.05

PCB LAYOUT



FUNCTIONAL SCHEMATIC



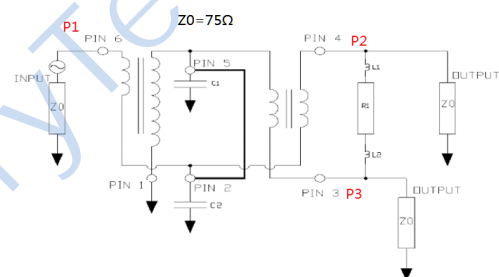
PIN CONFIGURATION

Pin No.	Function
1	Ground
2	External 0.5 pF Capacitor
3	Output 2
4	Output 1
5	External 0.5 pF Capacitor
6	Input

ELECTRICAL SPECIFICATIONS@25°C:

Parameters (P#: ENA PORT)	frequency band	Min.	Typ.	Max.	Unit
Port Impedance, Z0 (P1 / P2 / P3)			75 / 75 / 75		Ohm
Power Split			3		dB
Insertion Loss 1 (pin 6 - pin 4)	5-1002MHz		0.3	0.7	dB
	1003-1218MHz		0.5	1.0	dB
	1218-1600MHz		0.6	1.2	dB
	1600-2150MHz		1.0	2.0	dB
Insertion Loss 2 (pin 6 - pin 3)	5-1002MHz		0.6	1.0	dB
	1003-1218MHz		0.8	1.2	dB
	1218-1600MHz		1.1	1.6	dB
	1600-2150MHz		2.3	3.2	dB
Amplitude Balance	5-1002MHz		0.3	0.5	dB
	1003-1218MHz		0.3	0.5	dB
	1218-1600MHz		0.3	0.5	dB
	1600-2150MHz		0.8	1.5	dB
Phase Balance	5-1002MHz		0.8	4	Deg
	1003-1600MHz		1	6	Deg
	1600-2150MHz		1.2	7	Deg
Input Return Loss	5-1002MHz	20	39		dB
	1003-1600MHz	14	22		dB
	1600-2150MHz	11	18		dB
Output Return Loss (Pin4)	5-1002MHz	17	28		dB
	1003-1600MHz	13	18		dB
	1600-2150MHz	9	14		dB
Output Return Loss (Pin3)	5-1002MHz	20	40		dB
	1003-1600MHz	15	22		dB
	1600-2150MHz	12	18		dB
Isolation	5-10MHz	24	30		dB
	10-65 MHz	30	42		dB
	66-870 MHz	26	34		dB
	871-1002MHz	24	31		dB
	1003-1600MHz	22	31		dB
	1600-2150MHz	15	24		dB

APPLICATION & TEST CIRCUIT



Suggest: C1,C1=0.5pF
L1,L2=8.2nH
R1=240Ω

ABSOLUTE MAXIMUM RATINGS

Parameter	Value
Input RF Power	1W Max
Internal Load Dissipation	0.125W Max
Operating Temperature Range	-40 to 85°C

Tel: +86-28-85589664

E-mail: mr_li@henglitaitech.com

Web: www.hltchips.com

Adress:No.198 Tianqin East Street, Gaoxin West District, Chengdu City

TEST CURVE

